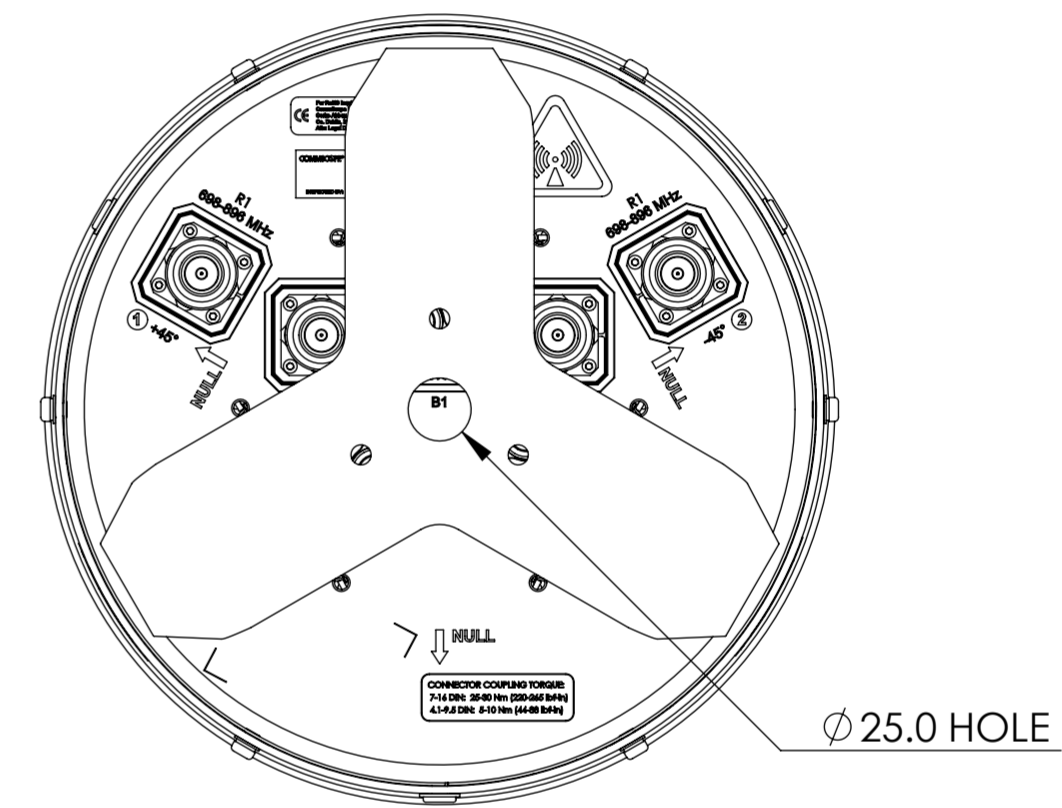
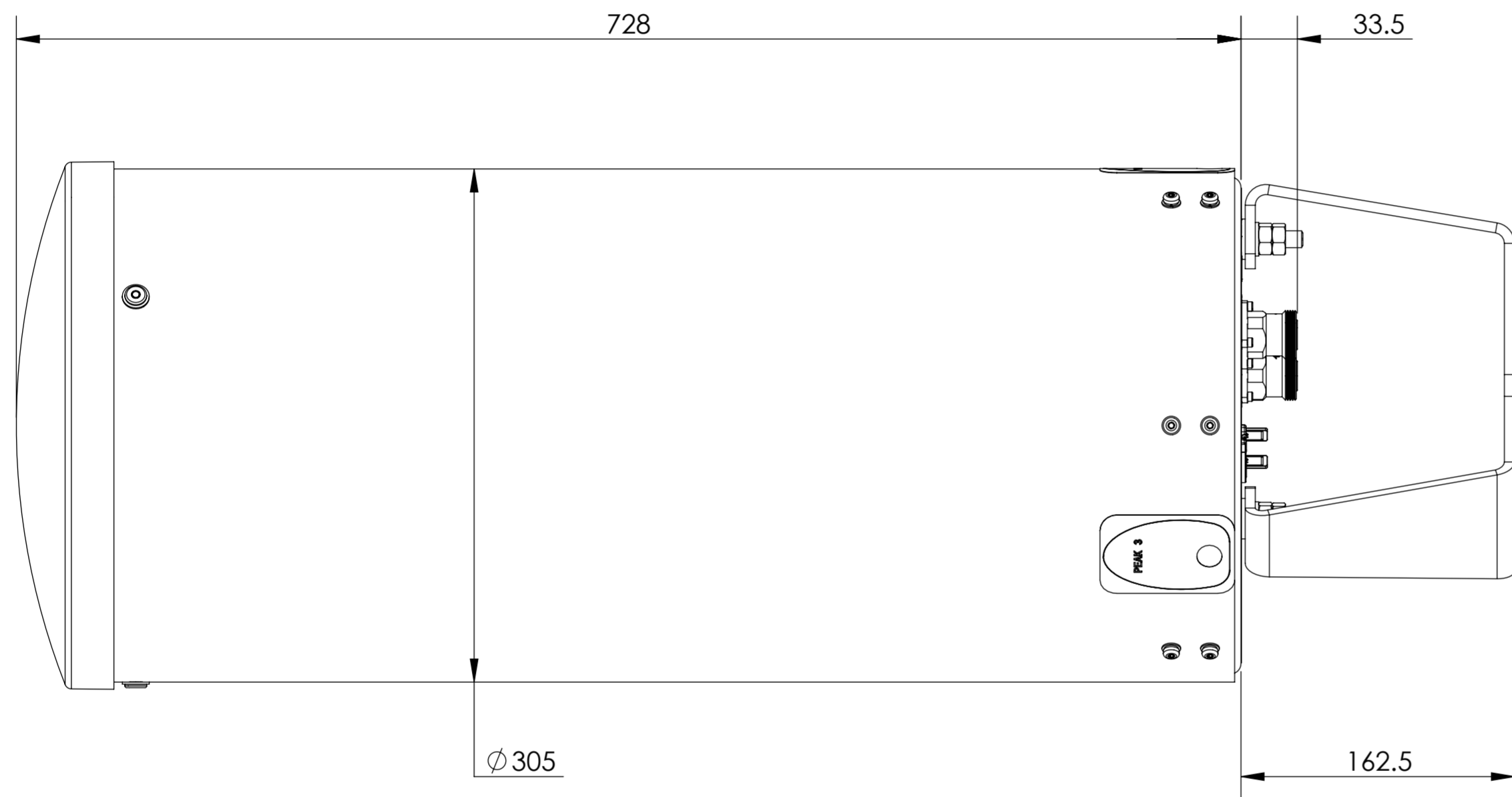


REVISIONS			
REV	DESCRIPTION	DATE	APPROVED
A	ECR 8000022200: REL TO PRODUCTION PER EAO 604262.	17APR17 LS	S.LIU/JIHE



NH360QS-F0M

COMMSCOPE, INC. OF NORTH CAROLINA												
TOLERANCES						SAP MATERIAL MASTER						
0 PLACE X ±			2 PLACE .XX ±			1 PLACE .X ±			ANGLES ±			
FINISH						MATERIAL						
UNLESS OTHERWISE SPECIFIED DIMENSIONS ARE IN MILLIMETERS INTERPRET PER ISO STANDARDS HANDBOOK TECHNICAL DRAWINGS VOLUMES 1 & 2, THIRD EDITION (2002)	NAME		DATE		PRODUCT DRAWING							
	CE	SL1039	17APR17									
	RW	SL1039	04/20/2017									
	RV	CHALIU	04/26/2017									
	AD	JIHE	05/08/2017									
	RE	BYUAN	05/08/2017									
ECN 8000022200-O					SCALE 1:3		DOCUMENT NO. NH360QS-F0M-L					
SIZE		WORK AREA		23		MODEL		DRAWING			SHEET 1 OF 1	
A2						VERSION	STATUS	REVISION	VERSION	STATUS		REVISION
						00	RE	A	00	RE		A

DENSITY	g/mm ³
MASS	grams
VOLUME	mm ³
SURFACE AREA	mm ²
HEIGHT	
LENGTH	
WIDTH	

© 2017 CommScope, Inc.