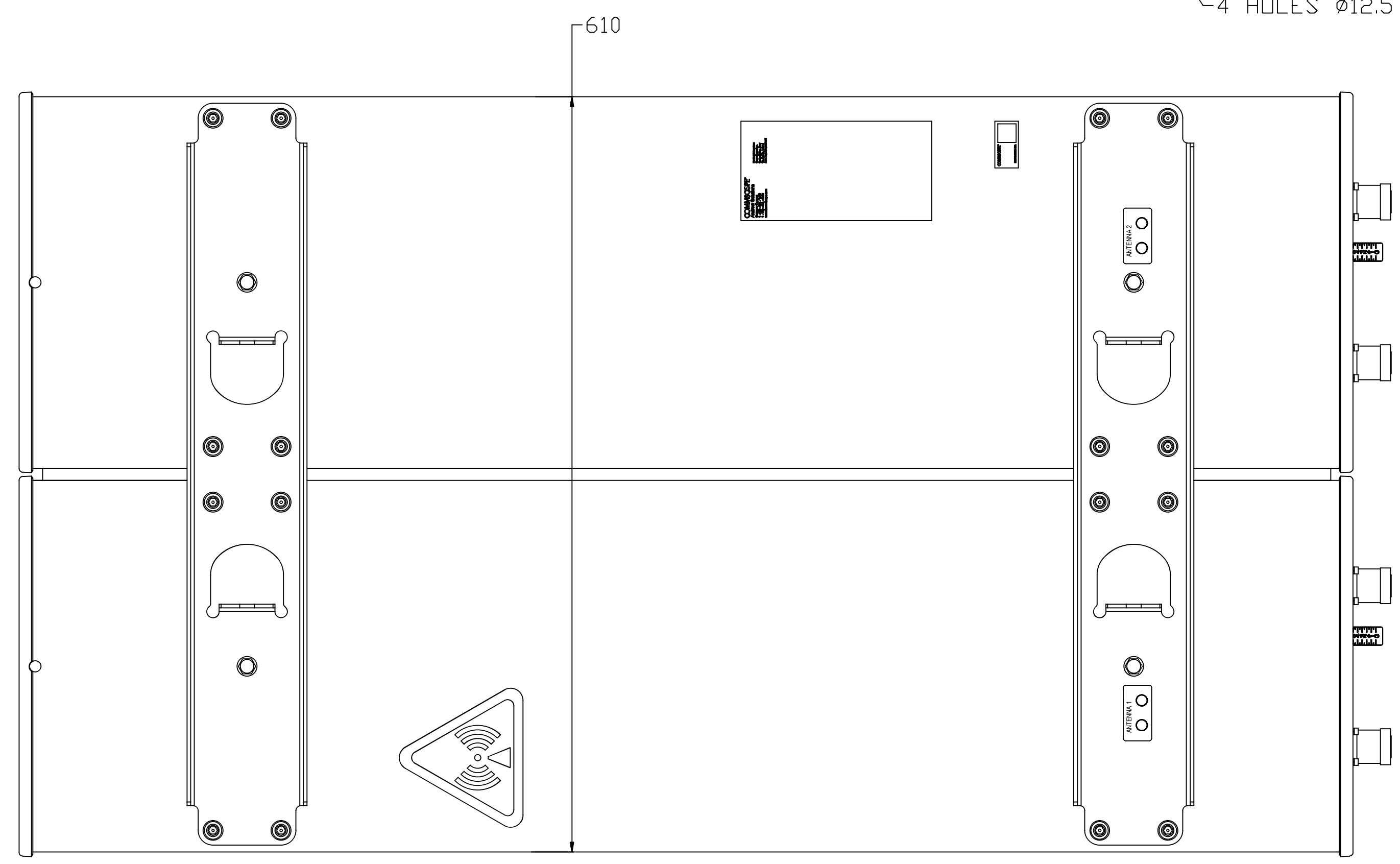
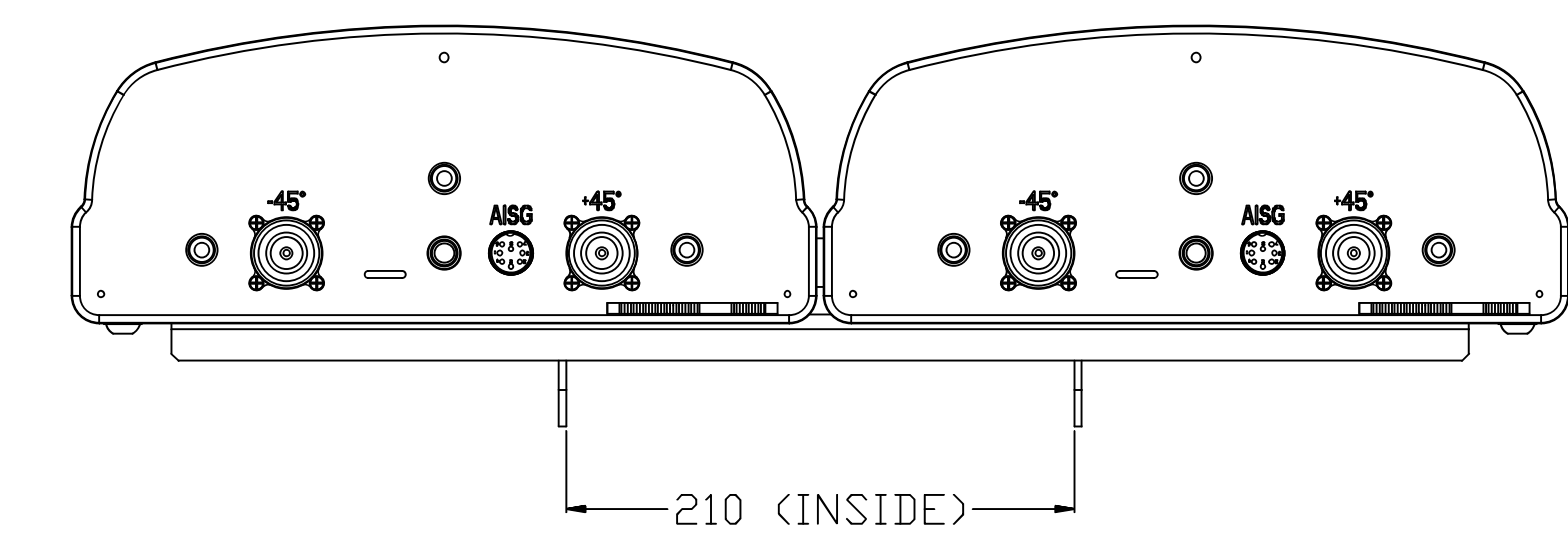
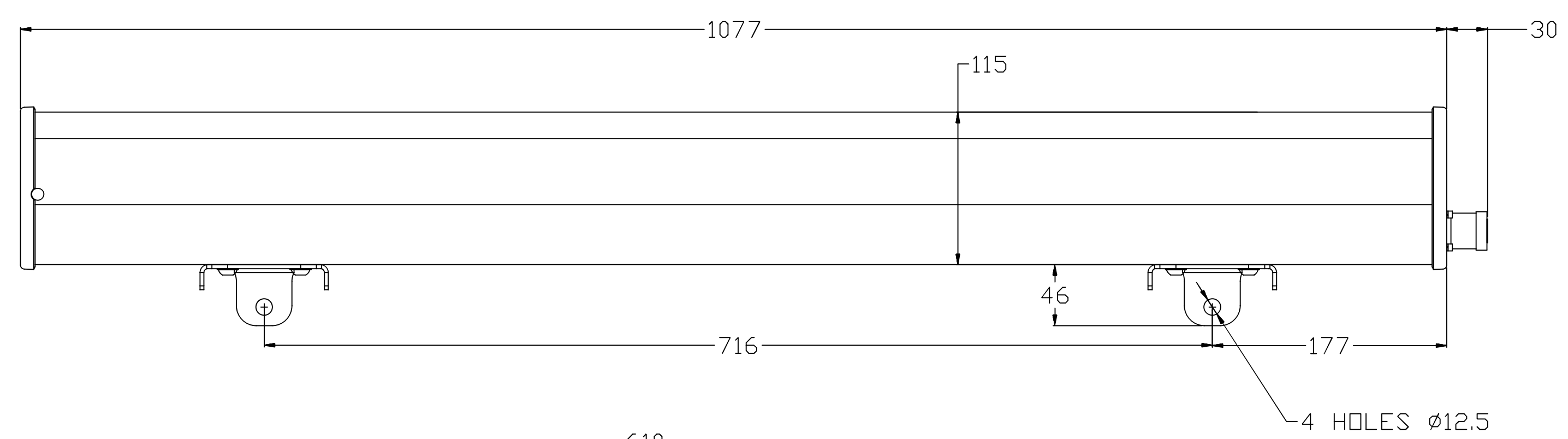


ZONE	REV.	ECR	DESCRIPTION	DRAWN BY	DATE
	A	8000009681	INITIAL RELEASE	A.P	06/08/15



LLPX210R-V1

ARGUS COMMSCOPE®			
UNLESS OTHERWISE SPECIFIED DIMENSIONS ARE IN MILLIMETRES. TOLERANCES ARE: 0 - 20 ±2 HOLE Ø ±1 >20-100 ±2 HOLE Ø ±1 >100-200 ±2 ANGULAR ±1° >200 ± 2		DESCRIPTION: PRODUCT DRAWING	
		PART/DWG NUMBER: LLPX210R-V1-L	
DRAWN TO AS1100		MATERIAL: N/A	3D MOD: N/A
		FINISH: N/A	SCALE: 1:10 A3
		DRAWN: A.P	DATE: 6/08/2015
		DWG REV A	
		SHEET 1 OF 1	