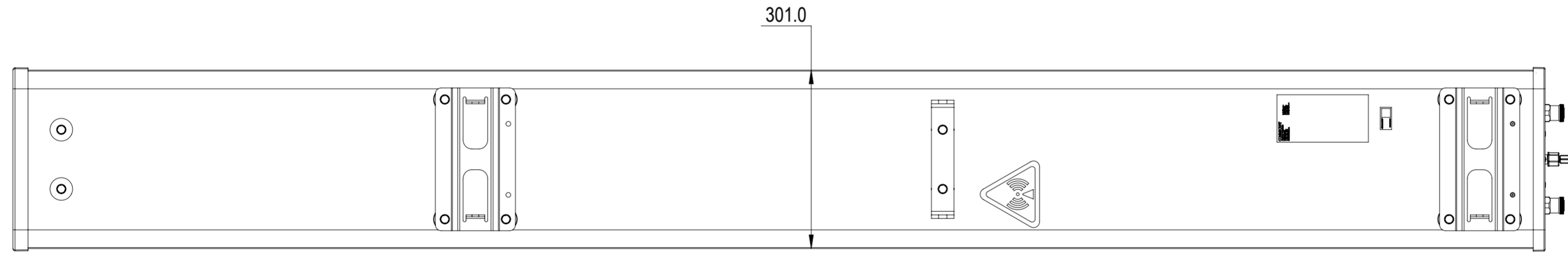
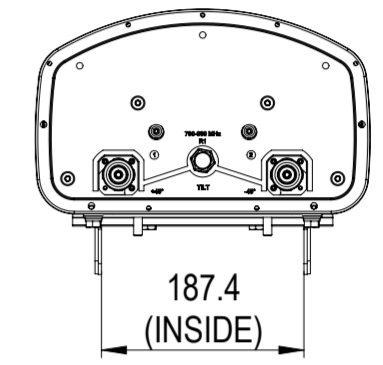
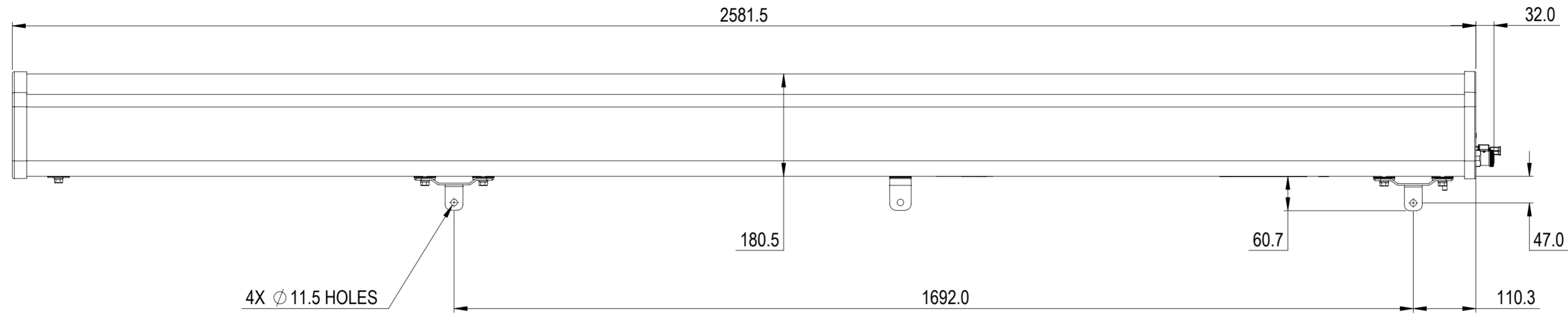


REVISIONS			
REV.	DESCRIPTION	DATE	APPROVED
A	ECR 8000023153: RELEASE TO PRODUCTION PER EAO 604282.	31MAY17 HWN	H.HUANG / ZH.JIAN
B	ECR 8000026346: UPDATE DRAWING.	28SEP17 HG	S.LIU/JIHE



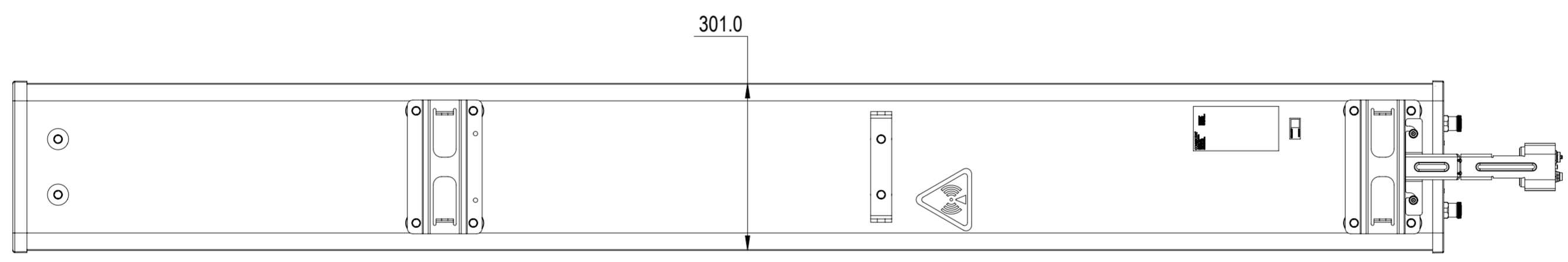
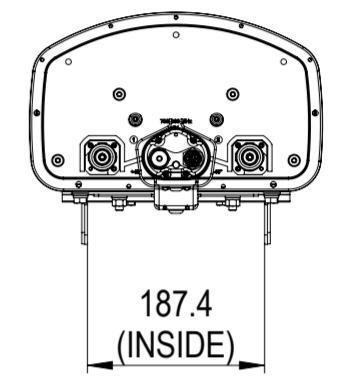
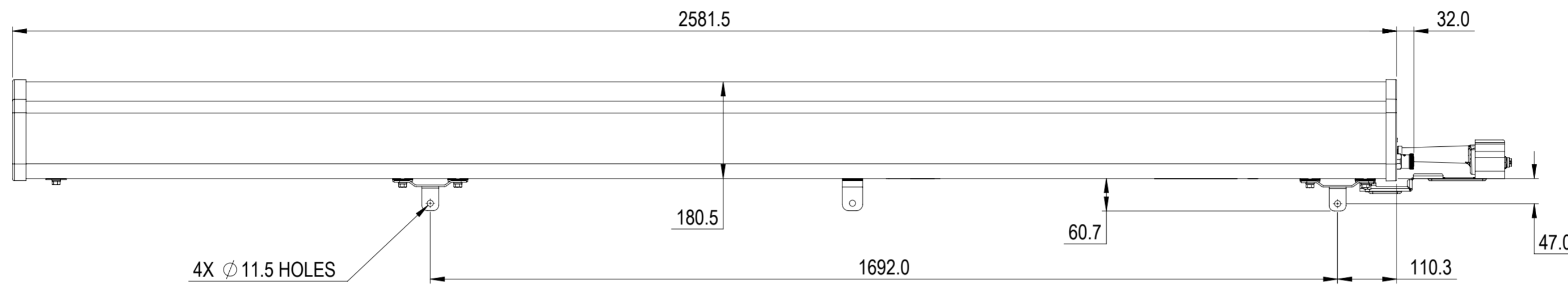
LDX-6516DS1-VTM

COMMSCOPE, INC. OF NORTH CAROLINA

TOLERANCES		SAP MATERIAL MASTER	
0 PLACE X ±	2 PLACE .XX ±		
1 PLACE .X ±	ANGLES ±		
FINISH		MATERIAL	
<small>UNLESS OTHERWISE SPECIFIED DIMENSIONS ARE IN MILLIMETERS INTERPRET PER ISO STANDARDS HANDBOOK TECHNICAL DRAWINGS VOLUMES 1 & 2, THIRD EDITION (2002)</small>		NAME	DATE
		CE HWN	31MAY17
		RW HG1030	09/28/2017
		RV CHALIU	09/29/2017
		AD JIHE	09/29/2017
RE BYUAN	09/29/2017		
ECN 8000026346-O		SCALE	DOCUMENT NO.
		1:5	LDX-6516DS1-VTM-L
SIZE	WORK AREA	23	MODEL
A2			VERSION
			STATUS
			REVISION
			VERSION
			STATUS
			REVISION
			DRAWING
			VERSION
			STATUS
			REVISION
			SHEET
			1 OF 2

DENSITY	g/mm ³
MASS	grams
VOLUME	mm ³
SURFACE AREA	mm ²
HEIGHT	
LENGTH	
WIDTH	

© 2017 CommScope, Inc.



LDX-6516DS1-A1M

COMMSCOPE, INC. OF NORTH CAROLINA					
TITLE PRODUCTION DRAWING					
SIZE A2	SCALE 1:5	DOCUMENT NO. LDX-6516DS1-VTM-L			
		DRAWING			SHEET
		VERSION 01	STATUS RE	REVISION B	2 OF 2

© 2017 CommScope, Inc.