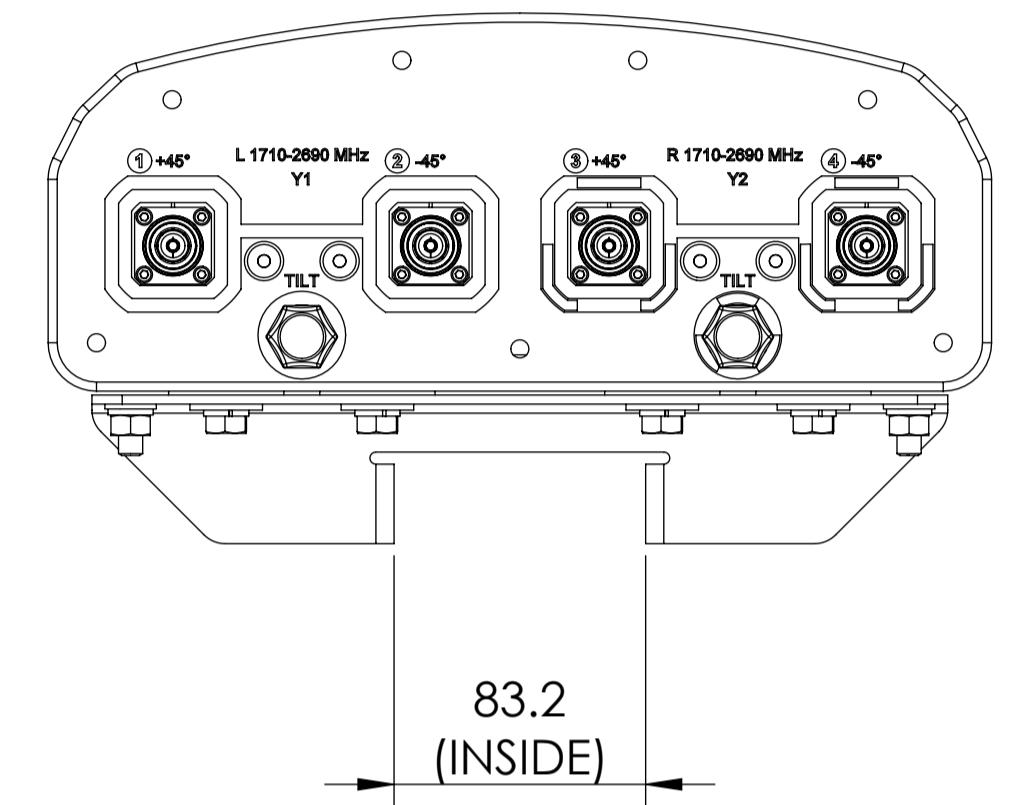
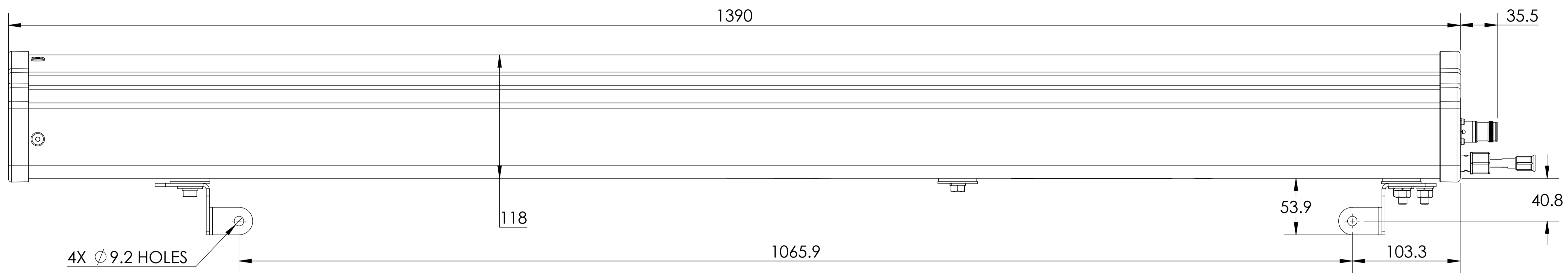


REVISIONS			
REV	DESCRIPTION	DATE	APPROVED
A	ECR 8000034435: RELEASE TO PRODUCTION PER EAO 606634.	16MAR19 MG	YS/KKS



HWXX-6516DS1-VTMV2

COMMSCOPE, INC. OF NORTH CAROLINA										
TOLERANCES					SAP MATERIAL MASTER					
0 PLACE	X ±	2 PLACE	XX ±							
1 PLACE	X ±	ANGLES	±							
FINISH					MATERIAL					
PRODUCT DRAWING										
NAME		DATE	TITLE							
CE	MG1153	16MAR19	HWXX-6516DS1-VTMV2-L							
RW	MG1153	03/20/2019								
RV	YS1021	03/21/2019								
AD	KK1054	03/26/2019								
RE	AC1095	03/28/2019								
ECN		8000034435-O	SCALE	DOCUMENT NO.						
			1:2.5	HWXX-6516DS1-VTMV2-L						
DENSITY	g/mm ³									
MASS	grams									
VOLUME	mm ³									
SURFACE AREA	mm ²									
HEIGHT		SIZE	WORK AREA	23	MODEL					
LENGTH		A1			VERSION	REVISION	VERSION	STATUS	REVISION	SHEET
WIDTH					00	RE	A	00	RE	1 OF 1