

8

7

6

5

4

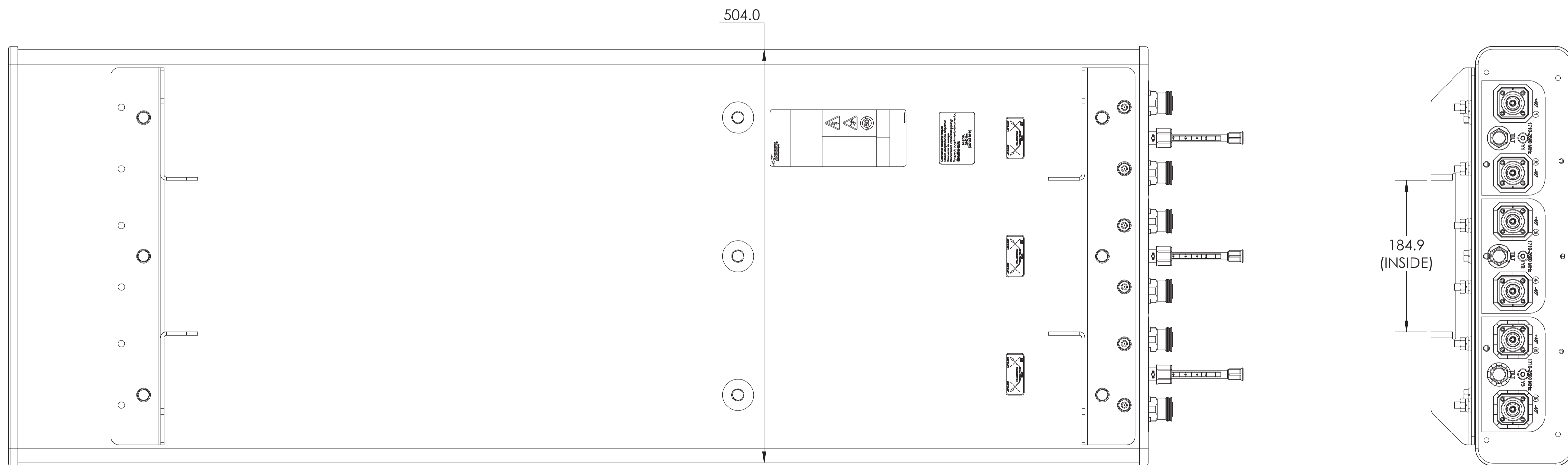
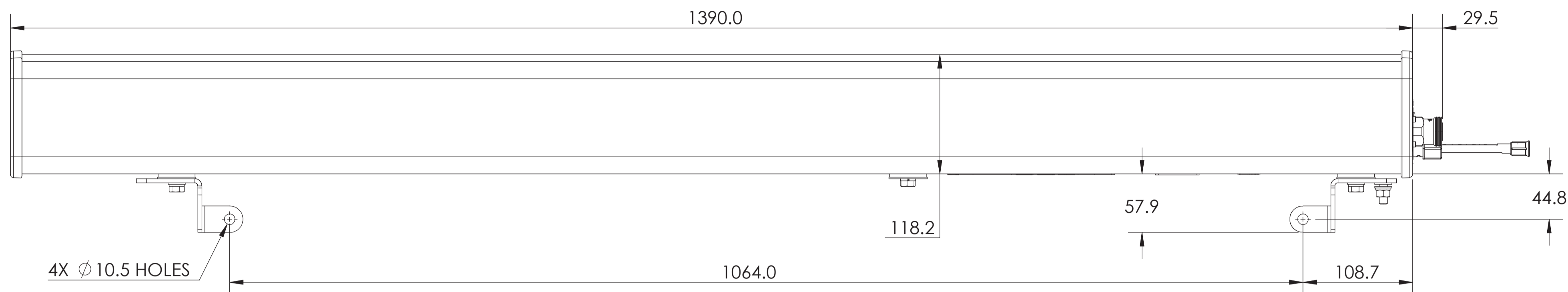
3

2

1

NOTES:

REVISIONS			
REV	DESCRIPTION	DATE	APPROVED
A	RELEASE PER EAO 4007907 ECR 5110001.	02FEB12 THD	GD/WSY
B	ECR 7004375: ADD HWXXX-6516DS-A1M & A2M.	17SEP12 N.K	S.LIU/GUXU
C	ECR 8000001401: UPDATE DRAWING.	9/16/13 J.H	EB/GD
D	ECR 8000005698: ADD DXF FILE.	14NOV14 ZW	S.LIU/JIHE



HWXXX-6516DS-VTM

THIRD ANGLE PROJECTION

THIRD ANGLE PROJECTION

MATERIAL N/A	DENSITY: MASS:	UNLESS OTHERWISE SPECIFIED DIMENSIONS ARE IN MILLIMETERS INTERPRET PER ISO STANDARDS HANDBOOK, TECHNICAL DRAWINGS, VOLUMES 1 & 2, THIRD EDITION (2002)	WESTCHESTER, IL. 60154 U.S.A.	
FINISH N/A	TOLERANCES 0 PLACE X± 1 PLACE .X± 2 PLACE .XX± ANGLES ± ALL SURFACES ✓	THIRD ANGLE PROJECTION 	PRODUCT DRAWING	
DRAWN BY THD 02FEB12 ECN 8000005698-O		SIZE A1	CAGE CODE 84147	DOCUMENT NO. HWXXX-6516DS-VTM-L
NOTICE: These drawings and specifications are the proprietary property of ANDREW CORPORATION and may be used only for the specific purpose authorized in writing by Andrew.		AUTH. GROUP 23	MODEL	DRAWING
		VERSION 03	STATUS RE	REVISION D
		VERSION 03	STATUS RE	REVISION D
				SHEET 1 OF 4

8

7

6

3

2

1

D

C

B

A

8

7

6

5

4

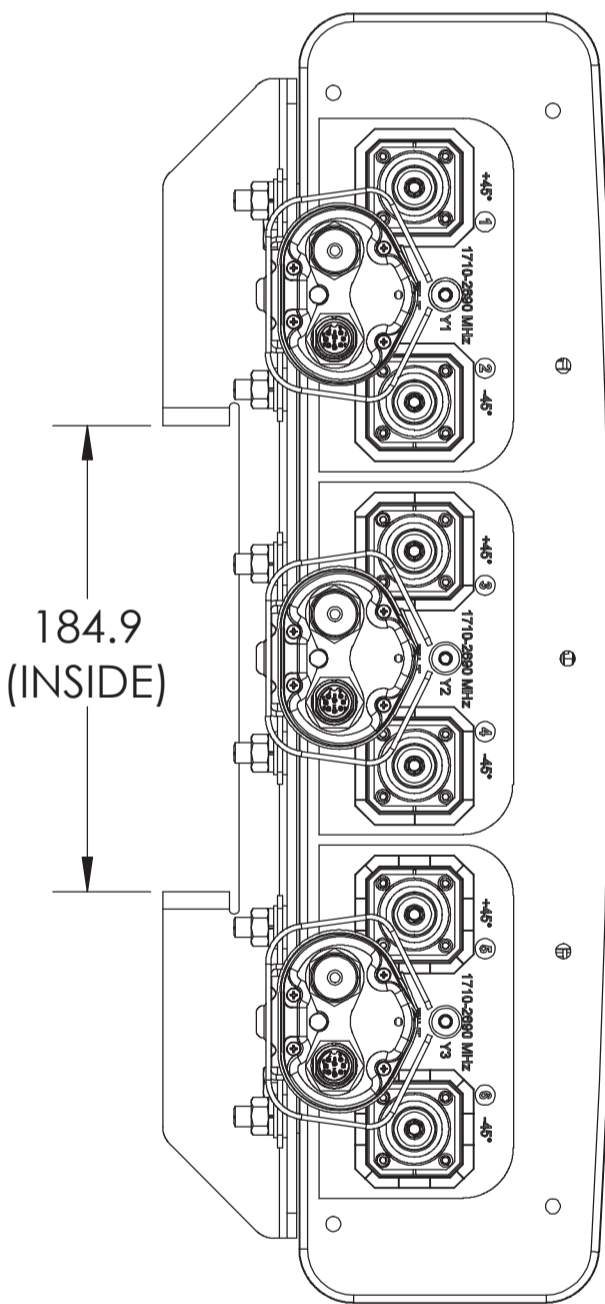
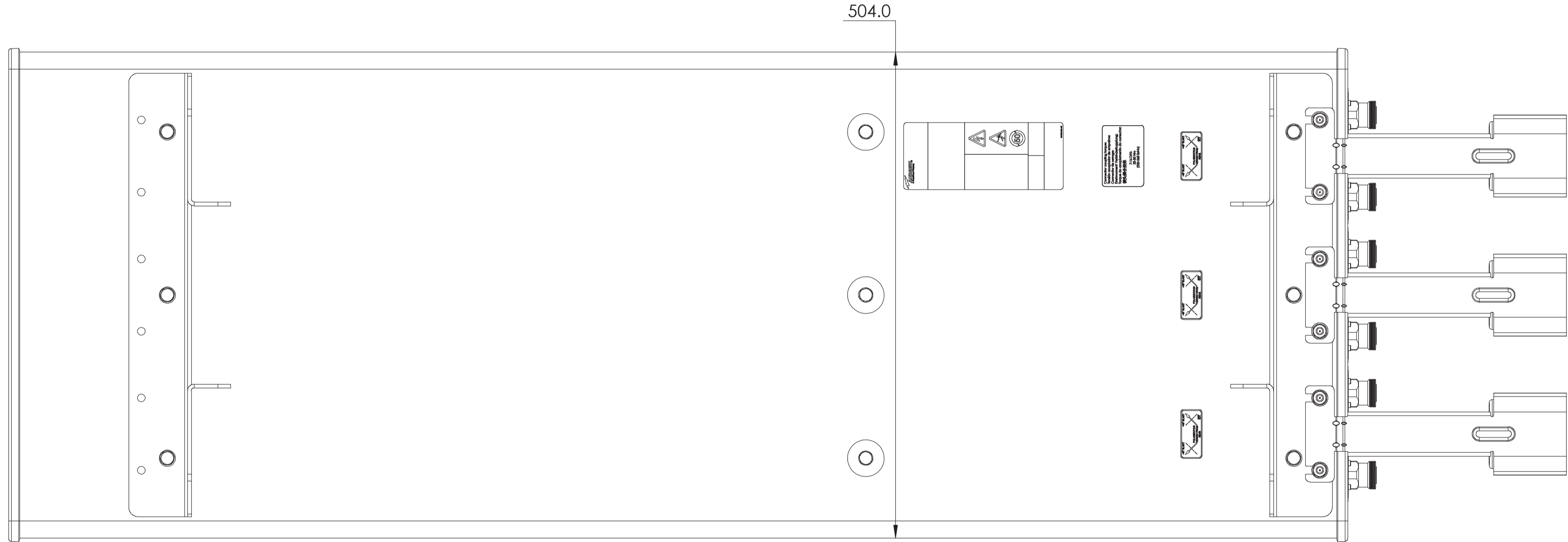
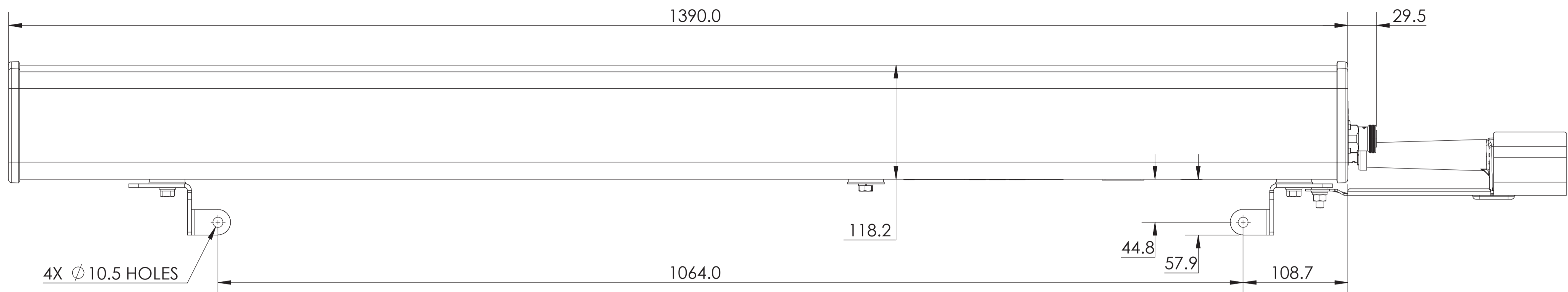
3

2

1

D

D



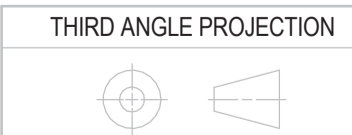
HWXXX-6516DS-A3M

A

A

WESTCHESTER, IL. 60154  
U.S.A.

PRODUCT DRAWING



SIZE **A1 84147** CAGE CODE DOCUMENT NO.  
HWXXX-6516DS-VTM-L

VERSION	STATUS	REVISION	SHEET
03	RE	D	2 OF 4

NOTICE: These drawings and specifications are the proprietary property of ANDREW CORPORATION and may be used only for the specific purpose authorized in writing by Andrew.

8

7

6

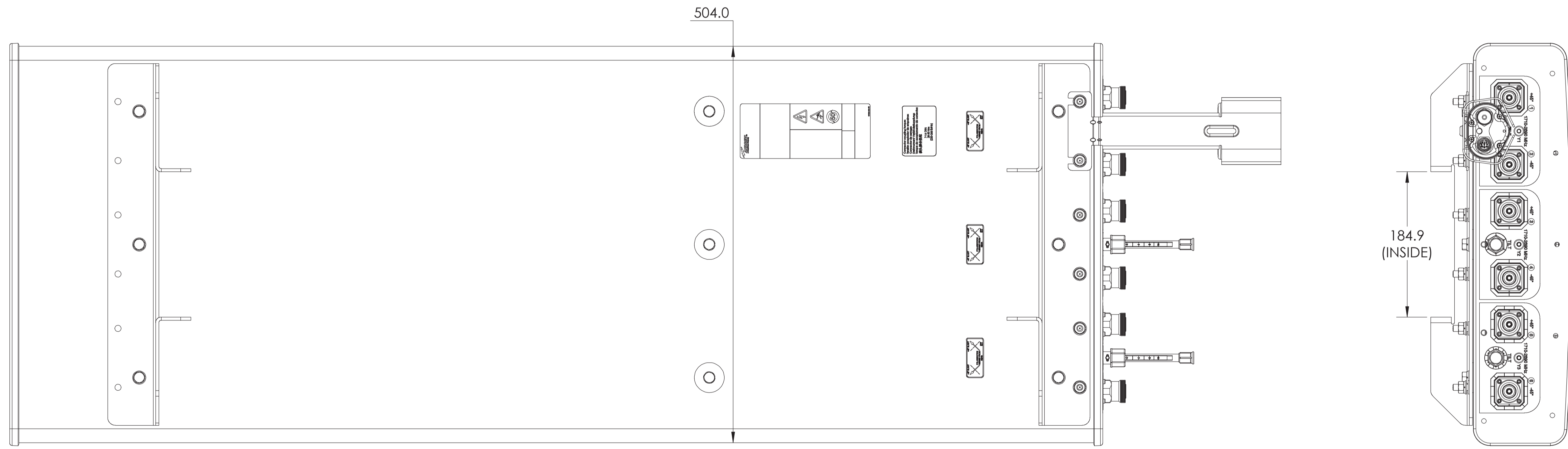
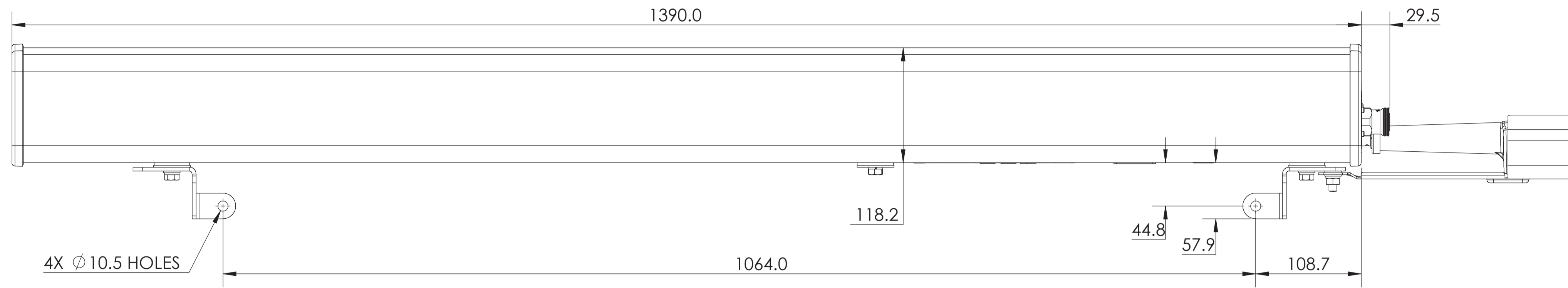
THIRD ANGLE PROJECTION

3

2

1

THIRD ANGLE PROJECTION



HWXXX-6516DS-A1M

WESTCHESTER, IL. 60154  
U.S.A.

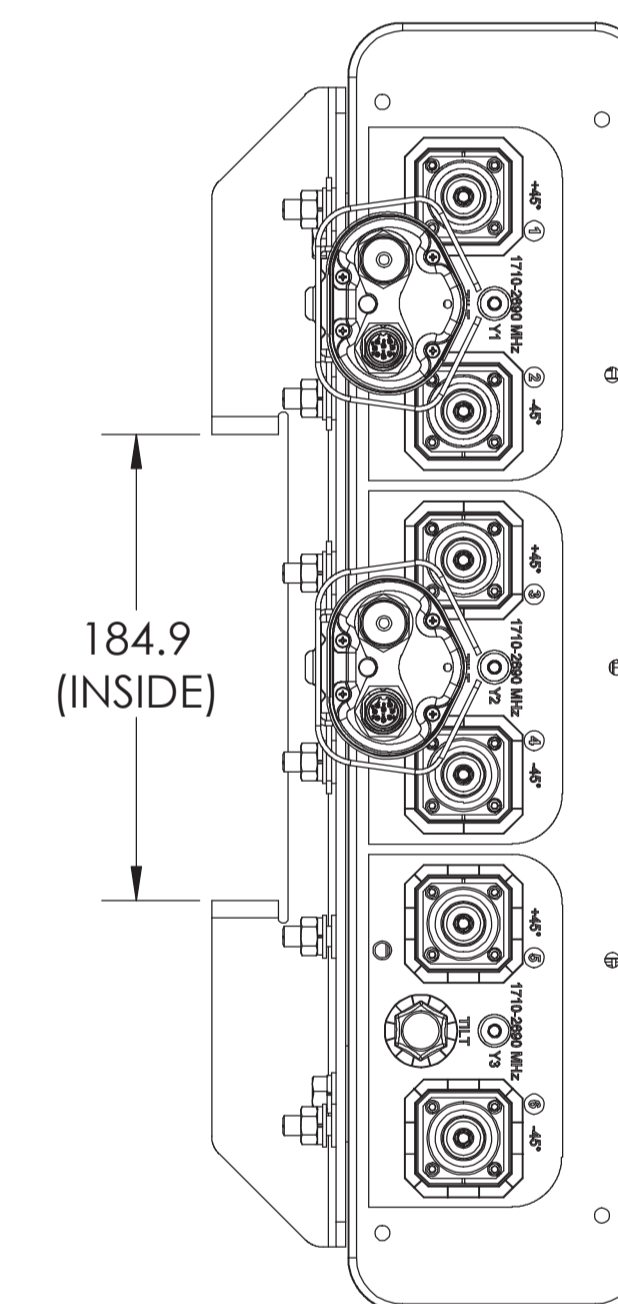
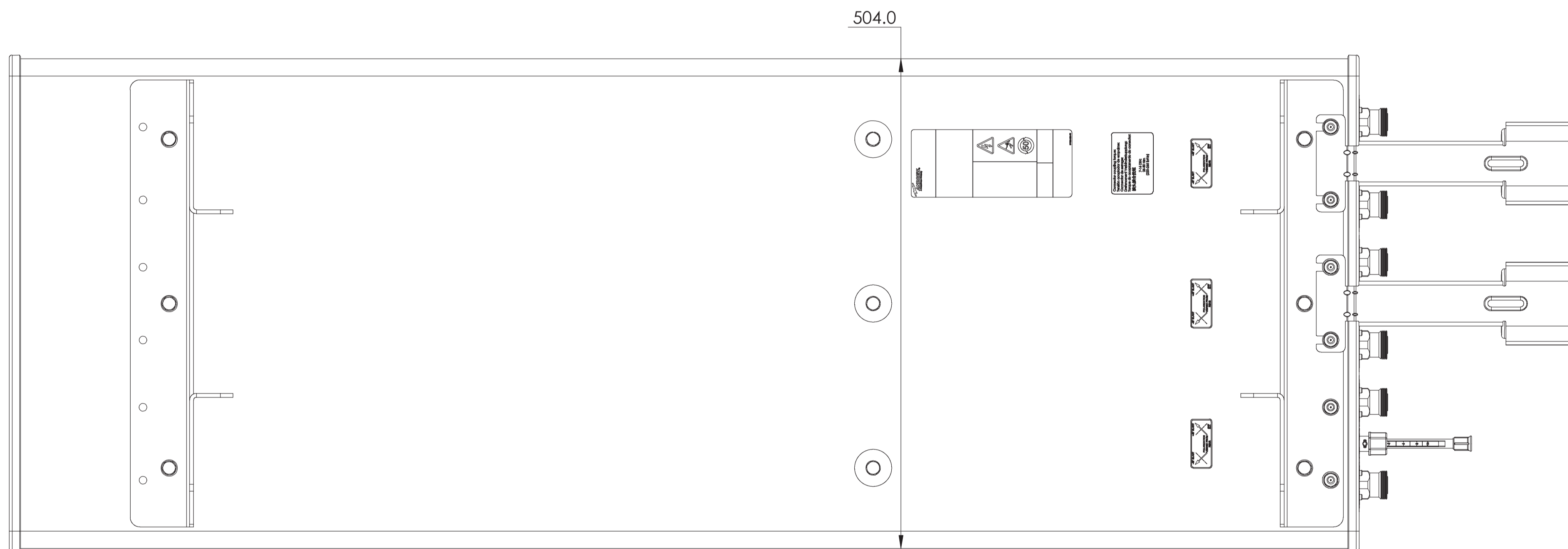
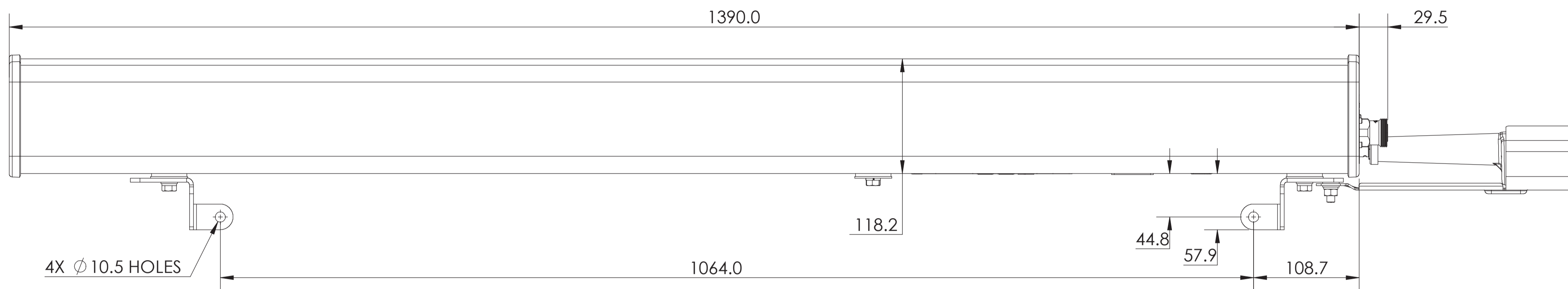
PRODUCT DRAWING

THIRD ANGLE PROJECTION	SIZE <b>A1 84147</b>	CAGE CODE 84147	DOCUMENT NO. HWXXX-6516DS-VTM-L
	VERSION 03	STATUS RE	REVISION D
			SHEET 3 OF 4

NOTICE: These drawings and specifications are the proprietary property of ANDREW CORPORATION and may be used only for the specific purpose authorized in writing by Andrew.

THIRD ANGLE PROJECTION

THIRD ANGLE PROJECTION



HWXXX-6516DS-A2M

WESTCHESTER, IL. 60154  
U.S.A.

PRODUCT DRAWING

THIRD ANGLE PROJECTION		SIZE	CAGE CODE	DOCUMENT NO.
		A1	84147	HWXXX-6516DS-VTM-L
VERSION	STATUS	REVISION	SHEET	
03	RE	D	4 OF 4	

NOTICE: These drawings and specifications are the proprietary property of ANDREW CORPORATION and may be used only for the specific purpose authorized in writing by Andrew.

THIRD ANGLE PROJECTION