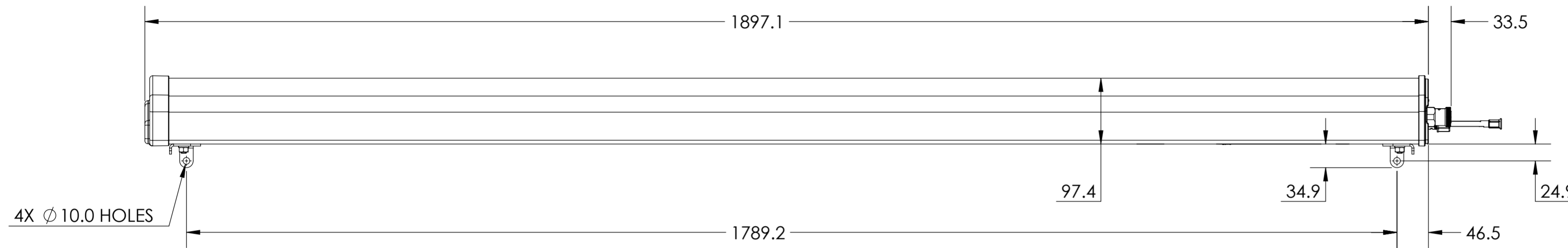
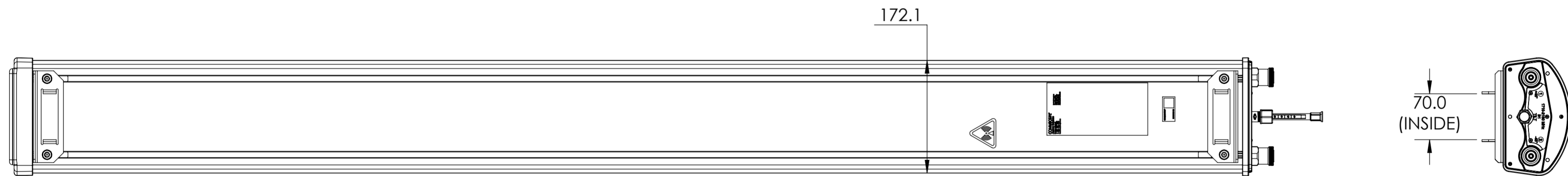


NOTES:



REVISIONS			
REV	DESCRIPTION	DATE	APPROVED
A	ECR 5082488: REL TO PRODUCTION. ME: J.SUN EE: JISUN	07SEP08 YMH	J.SUN / JISU
E	ECR 8000000653: ADD HBX-9016DST-A1M.	14MAY13 AD	S.LIU/JIHE
F	ECR 8000001400: UPDATE VIEWS.	17SEP13 NK	GD/EB
G	ECR 8000005403: ADD DXF FILE.	16OCT14 SJT	S.LIU/JIHE
H	ECR 8000011515: UPDATE DRAWING	15DEC15 LS	S.LIU/JIHE



4X Ø 10.0 HOLES



HBX-9016DS-VTM

MATERIAL	DENSITY: MASS:	UNLESS OTHERWISE SPECIFIED DIMENSIONS ARE IN MILLIMETERS INTERPRET PER ISO STANDARDS HANDBOOK TECHNICAL DRAWINGS VOLUMES 1 & 2, THIRD EDITION (2002)	 WESTCHESTER, IL. 60154 U.S.A.	
FINISH	TOLERANCES 0 PLACE X ± 3 1 PLACE .X ± 1.0 2 PLACE .XX ± 0.20 ANGLES ± 0.5° ALL SURFACES ✓		THIRD ANGLE PROJECTION 	
	DRAWN BY YMH 07SEP08 ECN 8000011515-O		SIZE A2 CAGE CODE 84147	DOCUMENT NO. HBX-9016DS-VTM-L
NOTICE: These drawings and specifications are the proprietary property of ANDREW CORPORATION and may be used only for the specific purpose authorized in writing by Andrew.		AUTH. GROUP 23	MODEL VERSION 08 STATUS RE REVISION J	DRAWING VERSION 07 STATUS RE REVISION H
			SHEET 1 OF 2	

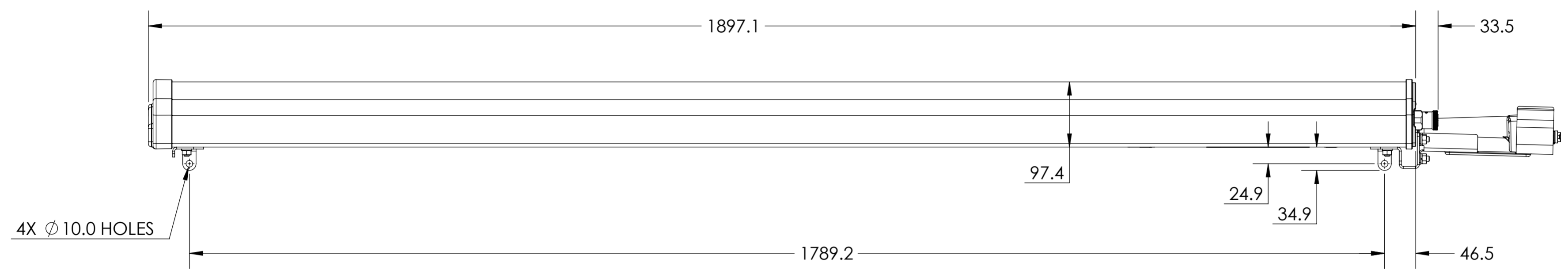
D
C
B
A

4

3

2

1



HBX-9016DS-R2M
 HBX-9016DS-A1M
 HBX-9016DS-E1M
 HBX-9016DST-A1M

ANDREW WESTCHESTER, IL. 60154
 U.S.A.

PRODUCT DRAWING

THIRD ANGLE PROJECTION		SIZE	CAGE CODE	DOCUMENT NO.	VERSION	STATUS	REVISION	SHEET
		A2	84147	HBX-9016DS-VTM-L	07	RE	H	2 OF 2

NOTICE: These drawings and specifications are the proprietary property of ANDREW CORPORATION and may be used only for the specific purpose authorized in writing by Andrew.

4

3

2

1

THIRD ANGLE PROJECTION