

8

7

6

5

4

3

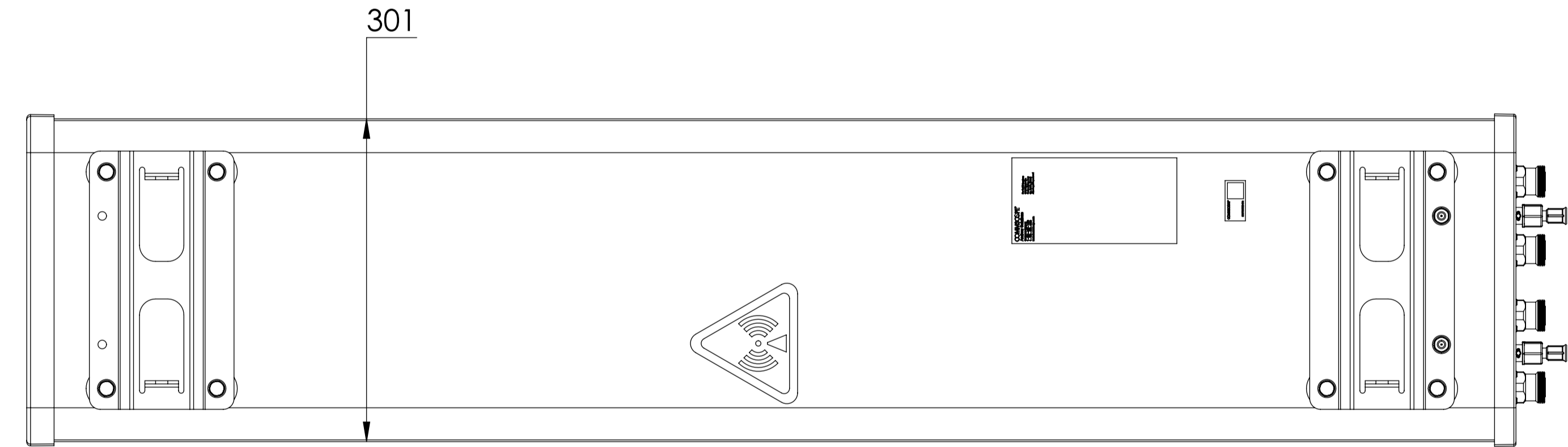
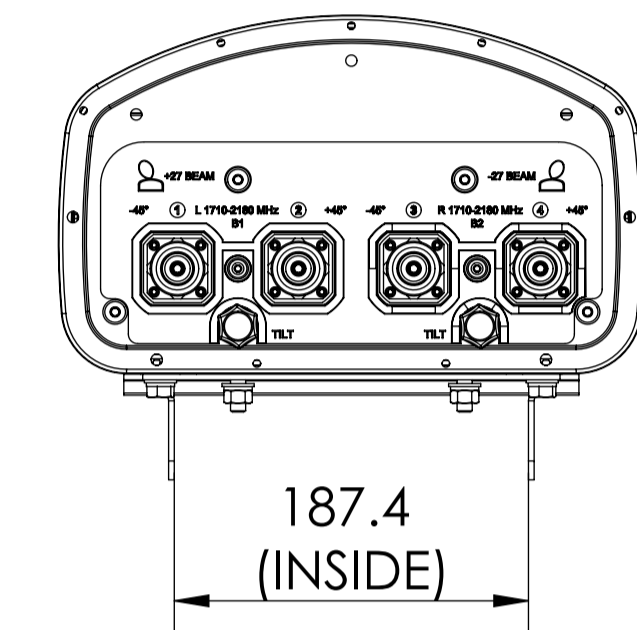
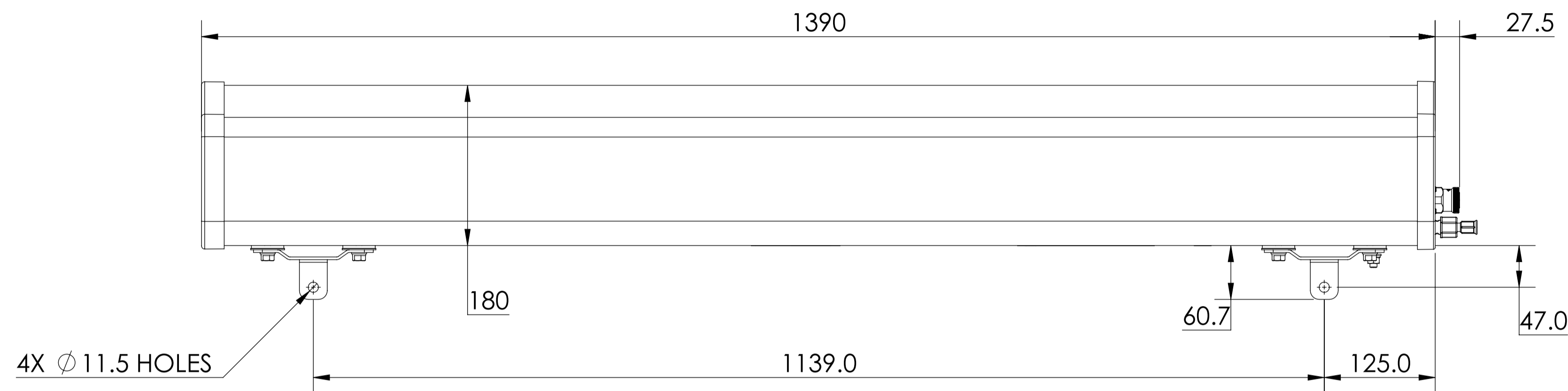
2

1

NOTES:

REVISIONS

REV	DESCRIPTION	DATE	APPROVED
A	ECR 7000008: RELEASE TO PRODUCTION PER EAO 4008340.	10JAN13 YYC	R.SU/JIHE
B	ECR 8000005559: ADD DXF FILE.	27OCT14 ZW	S.LIU/JIHE
C	ECR 8000012291: UPDATE DRAWING WITH LATEST MODEL.	15FEB16 HWW	S.LIU/JIHE
D	ECR 8000016621: HBXX-3817TB1-VTM, R2M & A2M REVISION UPGRADE.	17OCT16 HWN	LHL/DZF



HBXX-3817TB1-VTM

THIRD ANGLE PROJECTION

MATERIAL N/A	DENSITY: MASS:	UNLESS OTHERWISE SPECIFIED DIMENSIONS ARE IN MILLIMETERS INTERPRET PER ISO STANDARDS HANDBOOK, TECHNICAL DRAWINGS, VOLUMES 1 & 2, THIRD EDITION (2002)	WESTCHESTER, IL. 60154 U.S.A.																							
FINISH N/A	TOLERANCES 0 PLACE X± 1 PLACE .X± 2 PLACE .XX± ANGLES ± ALL SURFACES ✓	THIRD ANGLE PROJECTION	PRODUCT DRAWING																							
		<table border="1"> <tr> <td>DRAWN BY YYC</td> <td>10JAN13</td> <td>SIZE <b>A1</b></td> <td>CAGE CODE <b>84147</b></td> <td>DOCUMENT NO. <b>HBXX-3817TB1-VTM-L</b></td> </tr> <tr> <td>ECN 8000016621-O</td> <td></td> <td></td> <td></td> <td></td> </tr> <tr> <td>AUTH. GROUP 23</td> <td></td> <td>MODEL</td> <td colspan="2">DRAWING</td> </tr> <tr> <td></td> <td>VERSION 03</td> <td>STATUS RE</td> <td>REVISION D</td> <td>VERSION 03</td> </tr> <tr> <td></td> <td></td> <td></td> <td>STATUS RE</td> <td>REVISION D</td> </tr> </table>	DRAWN BY YYC	10JAN13	SIZE <b>A1</b>	CAGE CODE <b>84147</b>	DOCUMENT NO. <b>HBXX-3817TB1-VTM-L</b>	ECN 8000016621-O					AUTH. GROUP 23		MODEL	DRAWING			VERSION 03	STATUS RE	REVISION D	VERSION 03				STATUS RE
DRAWN BY YYC	10JAN13	SIZE <b>A1</b>	CAGE CODE <b>84147</b>	DOCUMENT NO. <b>HBXX-3817TB1-VTM-L</b>																						
ECN 8000016621-O																										
AUTH. GROUP 23		MODEL	DRAWING																							
	VERSION 03	STATUS RE	REVISION D	VERSION 03																						
			STATUS RE	REVISION D																						
NOTICE: These drawings and specifications are the proprietary property of ANDREW CORPORATION and may be used only for the specific purpose authorized in writing by Andrew.																										

8

7

6

THIRD ANGLE PROJECTION

3

2

1

8

7

6

5

4

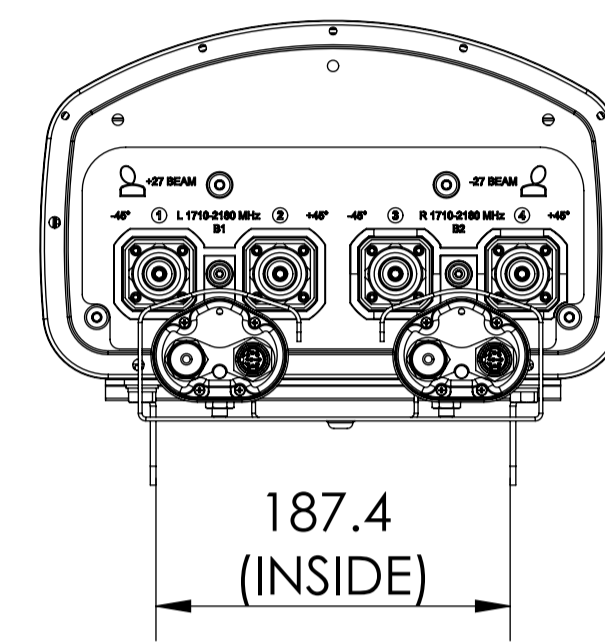
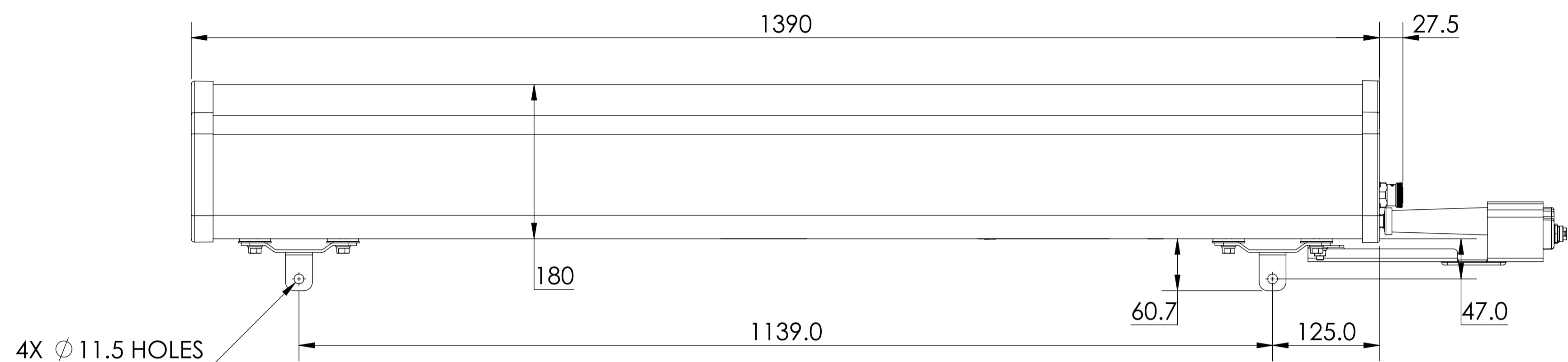
3

2

1

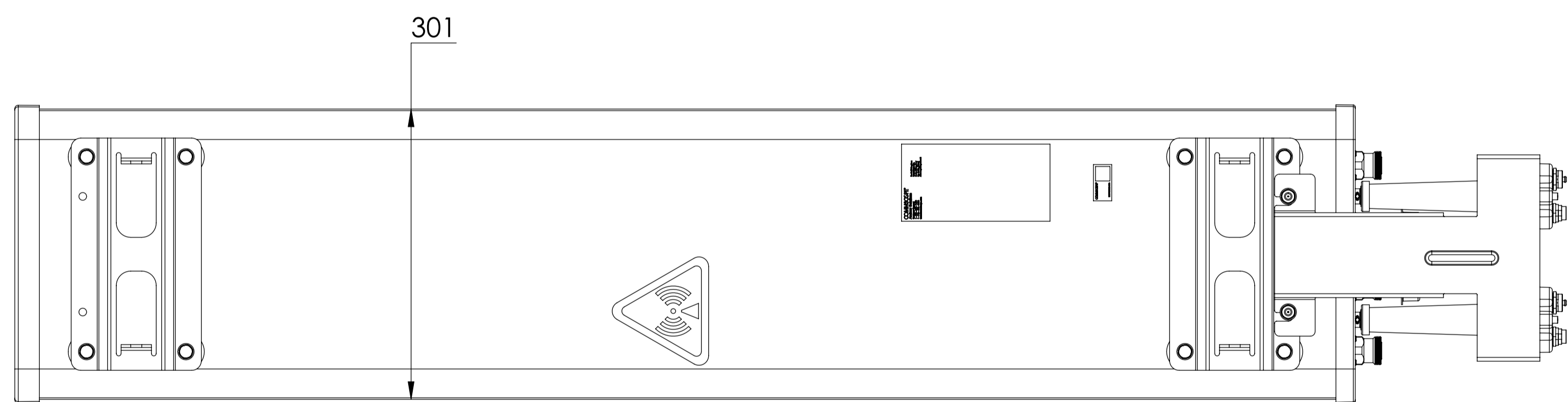
D

D



C

THIRD ANGLE PROJECTION



B

HBXX-3817TB1-R2M  
 HBXX-3817TB1-A2M

A

A



PRODUCT DRAWING

THIRD ANGLE PROJECTION



SIZE **A1** CAGE CODE **84147**

DOCUMENT NO. **HBXX-3817TB1-VTM-L**

NOTICE: These drawings and specifications are the proprietary property of ANDREW CORPORATION and may be used only for the specific purpose authorized in writing by Andrew.

VERSION	STATUS	REVISION	SHEET
03	RE	D	2 OF 2

8

7

6

THIRD ANGLE PROJECTION

3

2

1