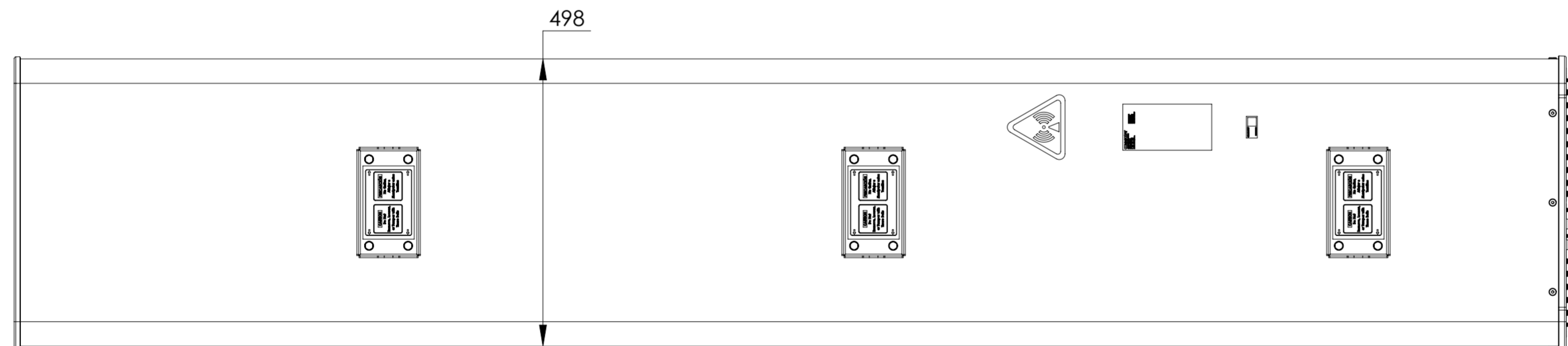
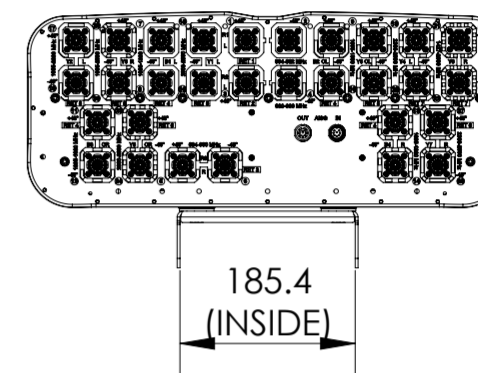
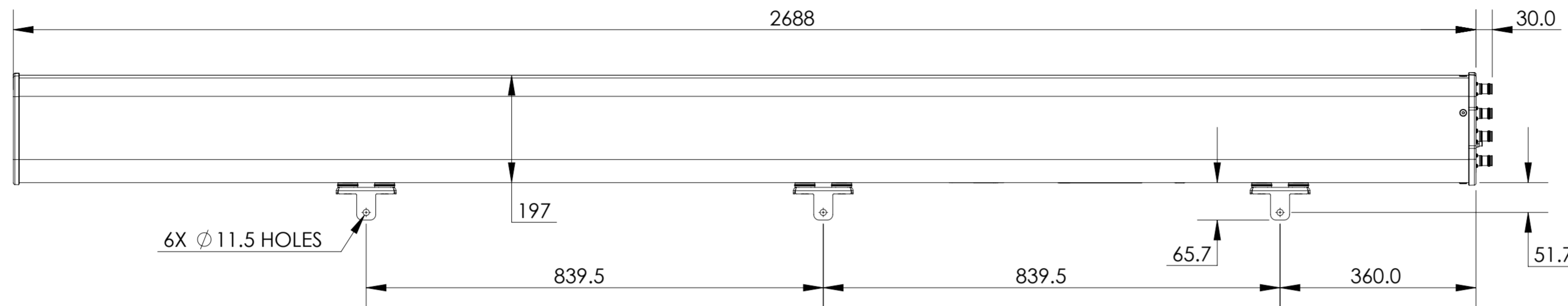


REVISIONS			
REV.	DESCRIPTION	DATE	APPROVED
A	ECR 8000033243: REL TO PRODUCTION PER EAO 606384.	11JAN19 YYC	XHT/WFW



EGRZZH4T4VV-65D-R8

COMMScope, INC. OF NORTH CAROLINA

TOLERANCES		SAP MATERIAL MASTER	
0 PLACE X ±	2 PLACE .XX ±		
1 PLACE .X ±	ANGLES ±		
FINISH		MATERIAL	
<small>UNLESS OTHERWISE SPECIFIED DIMENSIONS ARE IN MILLIMETERS INTERPRET PER ISO STANDARDS HANDBOOK TECHNICAL DRAWINGS VOLUMES 1 &amp; 2, THIRD EDITION (2002)</small>		NAME	DATE
		CE YY1004	01/14/2018
		RW YY1004	01/30/2019
		RV HDTANG	01/31/2019
		AD FW1019	01/31/2019
RE BYUAN	01/31/2019		
ECN 8000033243-O		SCALE	DOCUMENT NO.
		1:8	EGRZZH4T4VV-65D-R8
SIZE	WORK AREA	23	MODEL
A2			VERSION
			STATUS
			REVISION
			VERSION
			STATUS
			REVISION
			DRAWING
			VERSION
			STATUS
			REVISION
			SHEET
			1 OF 1

DENSITY	g/mm <sup>3</sup>
MASS	grams
VOLUME	mm <sup>3</sup>
SURFACE AREA	mm <sup>2</sup>
HEIGHT	
LENGTH	
WIDTH	