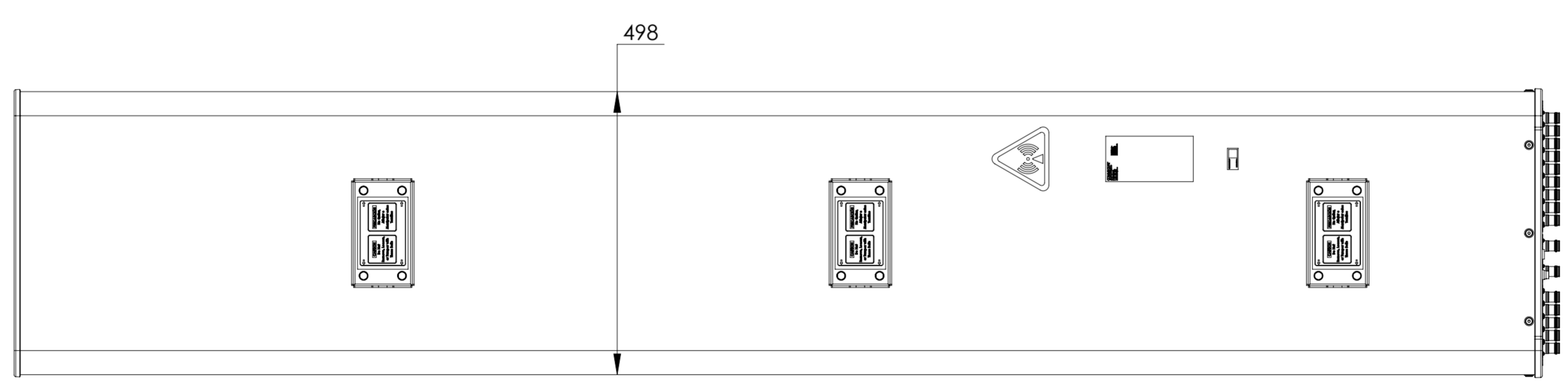
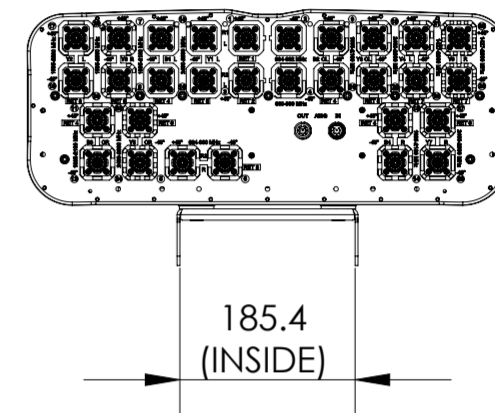
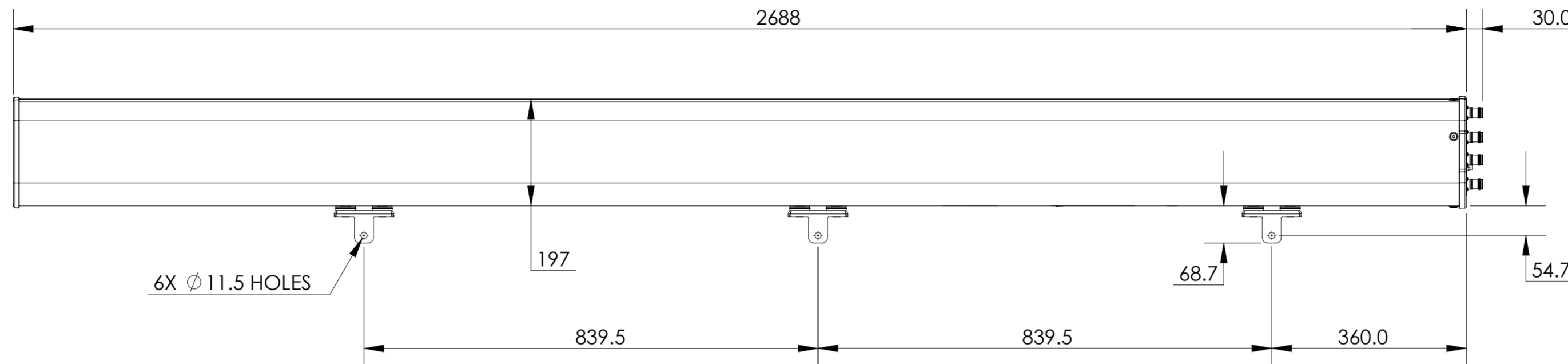


REVISIONS			
REV.	DESCRIPTION	DATE	APPROVED
A	ECR 8000036541: REL TO PRODUCTION PER EAO 607100.	26JUL19 CMY	LYF/YWQ



EGRZZH4T4VV65DR8V2

COMMSCOPE, INC. OF NORTH CAROLINA											
TOLERANCES						SAP MATERIAL MASTER					
0 PLACE X ±			2 PLACE .XX ±			1 PLACE .X ±			ANGLES ±		
FINISH						MATERIAL					
PRODUCT DRAWING											
<small>UNLESS OTHERWISE SPECIFIED DIMENSIONS ARE IN MILLIMETERS INTERPRET PER ISO STANDARDS HANDBOOK TECHNICAL DRAWINGS VOLUMES 1 & 2, THIRD EDITION (2002)</small>											
DENSITY		g/mm ³		MASS		grams		VOLUME		mm ³	
SURFACE AREA		mm ²		HEIGHT		LENGTH		WIDTH		SHEET	
A2		WORK AREA 23		SCALE 1:8		DOCUMENT NO. EGRZZH4T4VV65DR8V2-L		ECN 8000036541-O		SHEET 1 OF 1	
SIZE		WORK AREA 23		MODEL		DRAWING		VERSION		REVISION	
A2		WORK AREA 23		00		RE		A		00	
00		RE		A		00		RE		A	