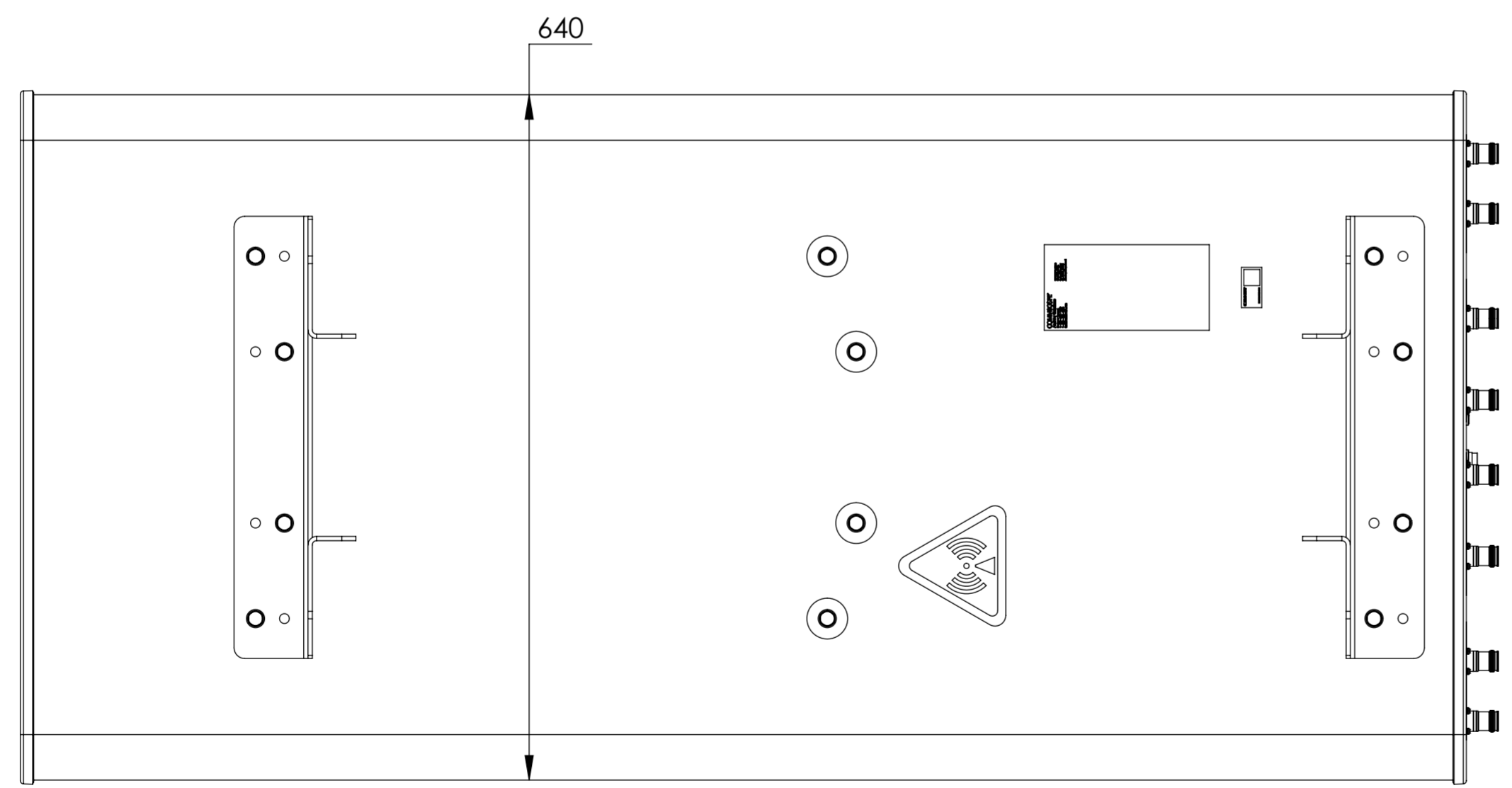
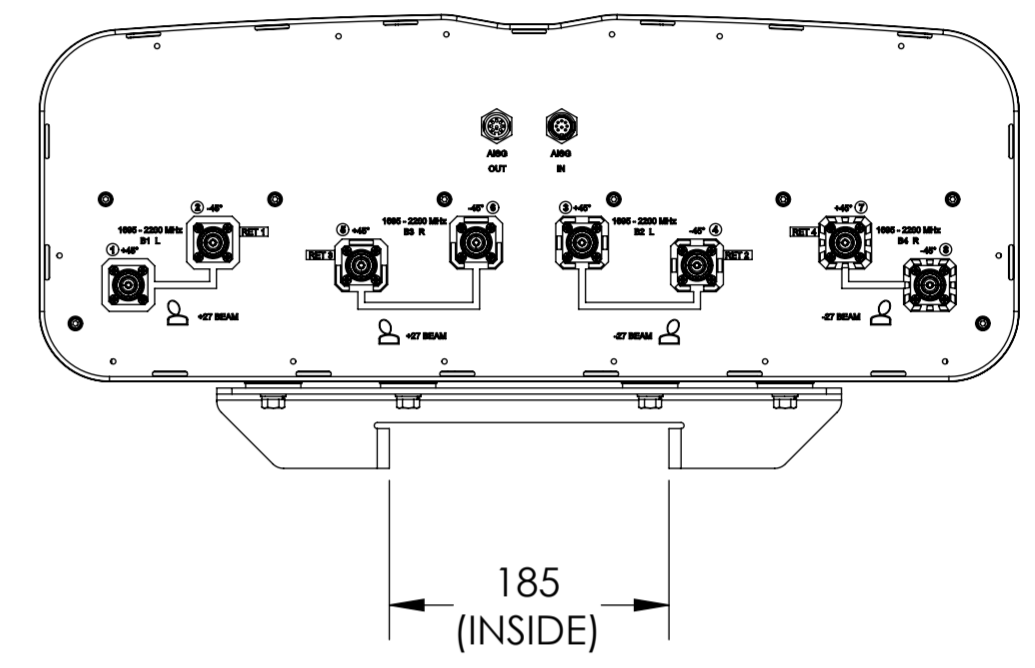
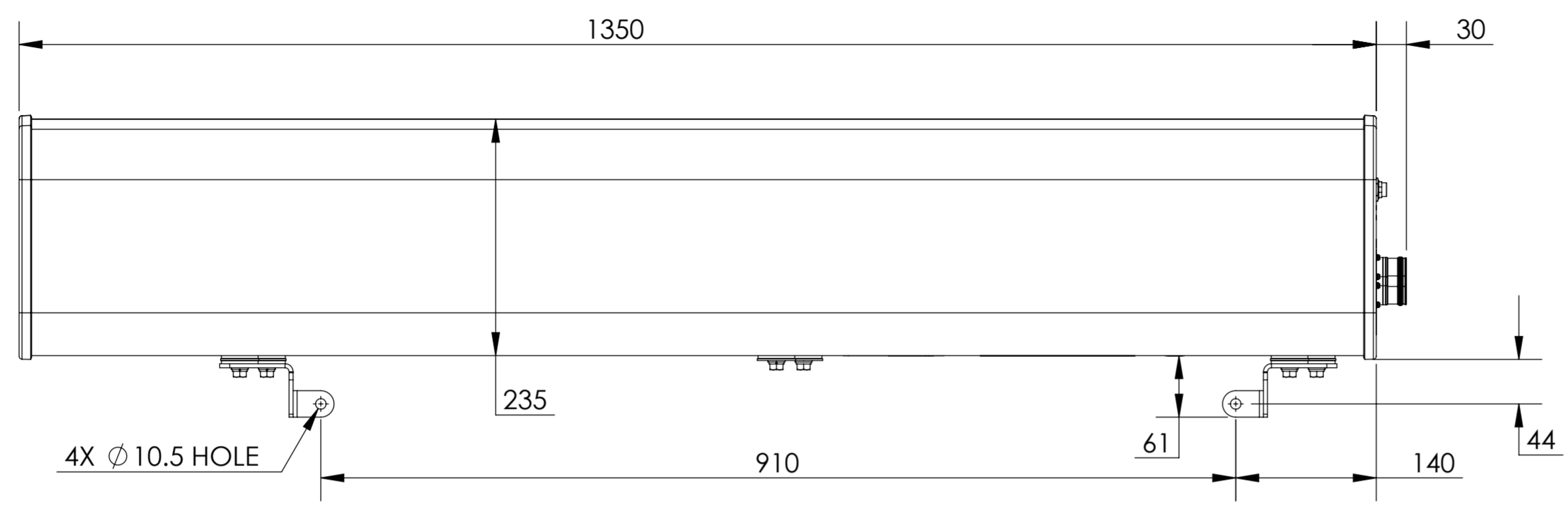


NOTES:

REVISIONS			
REV	DESCRIPTION	DATE	APPROVED
A	ECR 8000012895: RELEASE TO PRODUCTION PER EAO 603099 .	11JUN16 ZHW	LHL/LCL



2HH-38A-R4

<b>COMMSCOPE, INC. OF NORTH CAROLINA</b>																																								
TOLERANCES		SAP MATERIAL MASTER																																						
0 PLACE X ±	2 PLACE .XX ±																																							
1 PLACE .X ±	ANGLES ±																																							
FINISH		MATERIAL																																						
<b>PRODUCT DRAWING</b>																																								
SCALE: <b>1:5</b>		DOCUMENT NO. <b>2HH-38A-R4-L</b>																																						
<table border="1"> <thead> <tr> <th>NAME</th> <th>DATE</th> <th>TITLE</th> </tr> </thead> <tbody> <tr> <td>CE ZHW</td> <td>06/11/2016</td> <td rowspan="5">PRODUCT DRAWING</td> </tr> <tr> <td>RW HZ1014</td> <td>07/18/2016</td> </tr> <tr> <td>RV AL1012</td> <td>07/19/2016</td> </tr> <tr> <td>AD CL1042</td> <td>07/19/2016</td> </tr> <tr> <td>RE LONEWSOM</td> <td>07/20/2016</td> </tr> </tbody> </table>		NAME	DATE	TITLE	CE ZHW	06/11/2016	PRODUCT DRAWING	RW HZ1014	07/18/2016	RV AL1012	07/19/2016	AD CL1042	07/19/2016	RE LONEWSOM	07/20/2016	<table border="1"> <thead> <tr> <th>SIZE</th> <th>WORK AREA</th> <th>23</th> <th>MODEL</th> <th colspan="3">DRAWING</th> <th>SHEET</th> </tr> </thead> <tbody> <tr> <td rowspan="2"><b>A2</b></td> <td rowspan="2"> </td> <td rowspan="2">00</td> <td>VERSION</td> <td>STATUS</td> <td>REVISION</td> <td>VERSION</td> <td>STATUS</td> <td>REVISION</td> <td rowspan="2">1 OF 1</td> </tr> <tr> <td>RE</td> <td>A</td> <td>00</td> <td>RE</td> <td>A</td> </tr> </tbody> </table>		SIZE	WORK AREA	23	MODEL	DRAWING			SHEET	<b>A2</b>		00	VERSION	STATUS	REVISION	VERSION	STATUS	REVISION	1 OF 1	RE	A	00	RE	A
NAME	DATE	TITLE																																						
CE ZHW	06/11/2016	PRODUCT DRAWING																																						
RW HZ1014	07/18/2016																																							
RV AL1012	07/19/2016																																							
AD CL1042	07/19/2016																																							
RE LONEWSOM	07/20/2016																																							
SIZE	WORK AREA	23	MODEL	DRAWING			SHEET																																	
<b>A2</b>		00	VERSION	STATUS	REVISION	VERSION	STATUS	REVISION	1 OF 1																															
			RE	A	00	RE	A																																	

DENSITY	g/mm <sup>3</sup>
MASS	grams
VOLUME	mm <sup>3</sup>
SURFACE AREA	mm <sup>2</sup>
HEIGHT	
LENGTH	
WIDTH	

© 2016 CommScope, Inc.