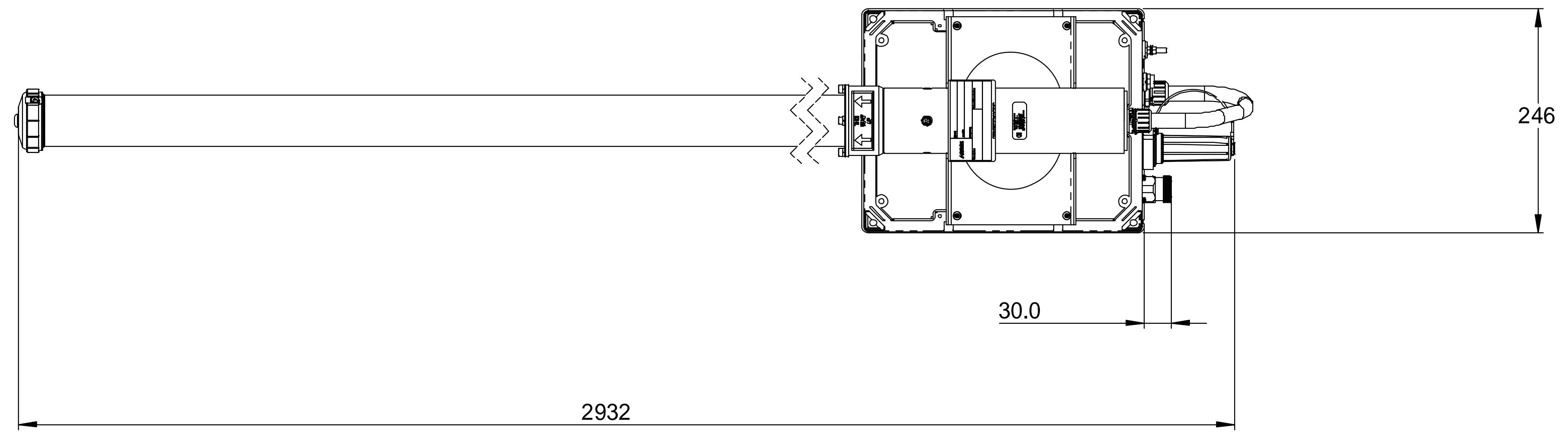
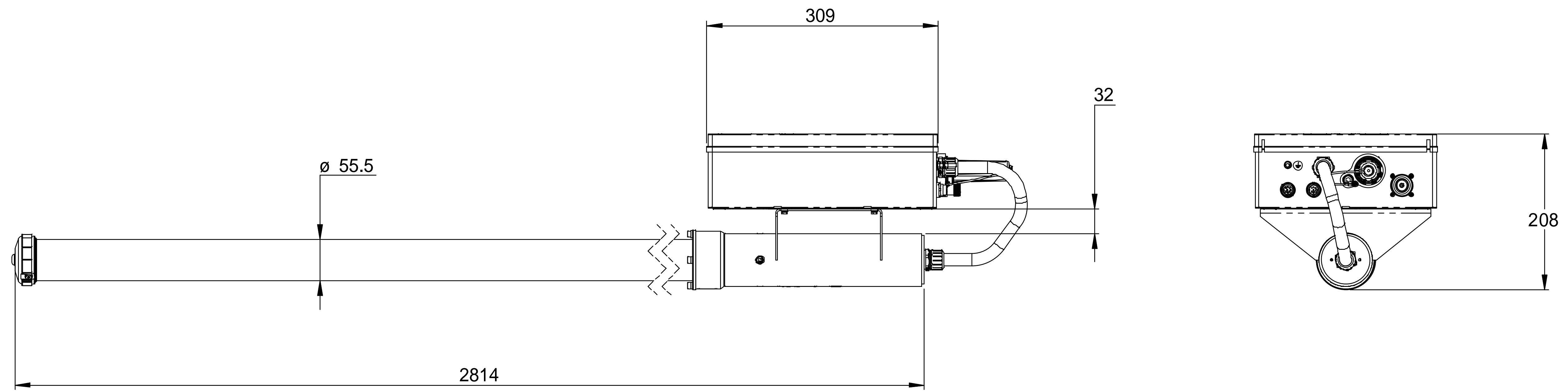


ZONE	REV.	ECR	DESCRIPTION	DRAWN BY	DATE
-	A	8000003975	INITIAL ISSUE	G.J	26/08/2014



UNA008R

<small>UNLESS OTHERWISE SPECIFIED DIMENSIONS ARE IN MILLIMETRES. TOLERANCES ARE:</small> 0 - 20 ±0.1 HOLE Ø ±1.0 >20-100 ±1.0 HOLE Ø ±1.0 >100-200 ±1.0 ANGULAR ±1.0° >200 ± 1.0		DESCRIPTION: PRODUCT DRAWING PART/DWG NUMBER: UNA008R-L MATERIAL: N/A FINISH: N/A	
DWG REV A DATE: 26/08/2014 SCALE: 1:6 A3 DRAWN: G.J SHEET 1 OF 1		3D MOD: G.J DRAWN: G.J	