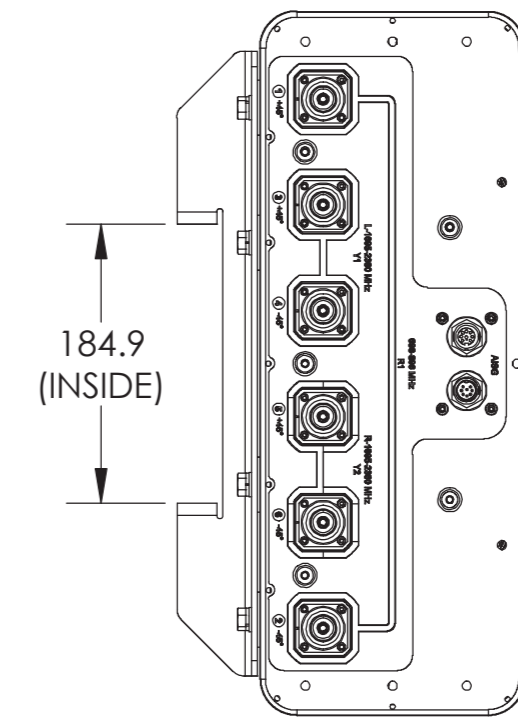
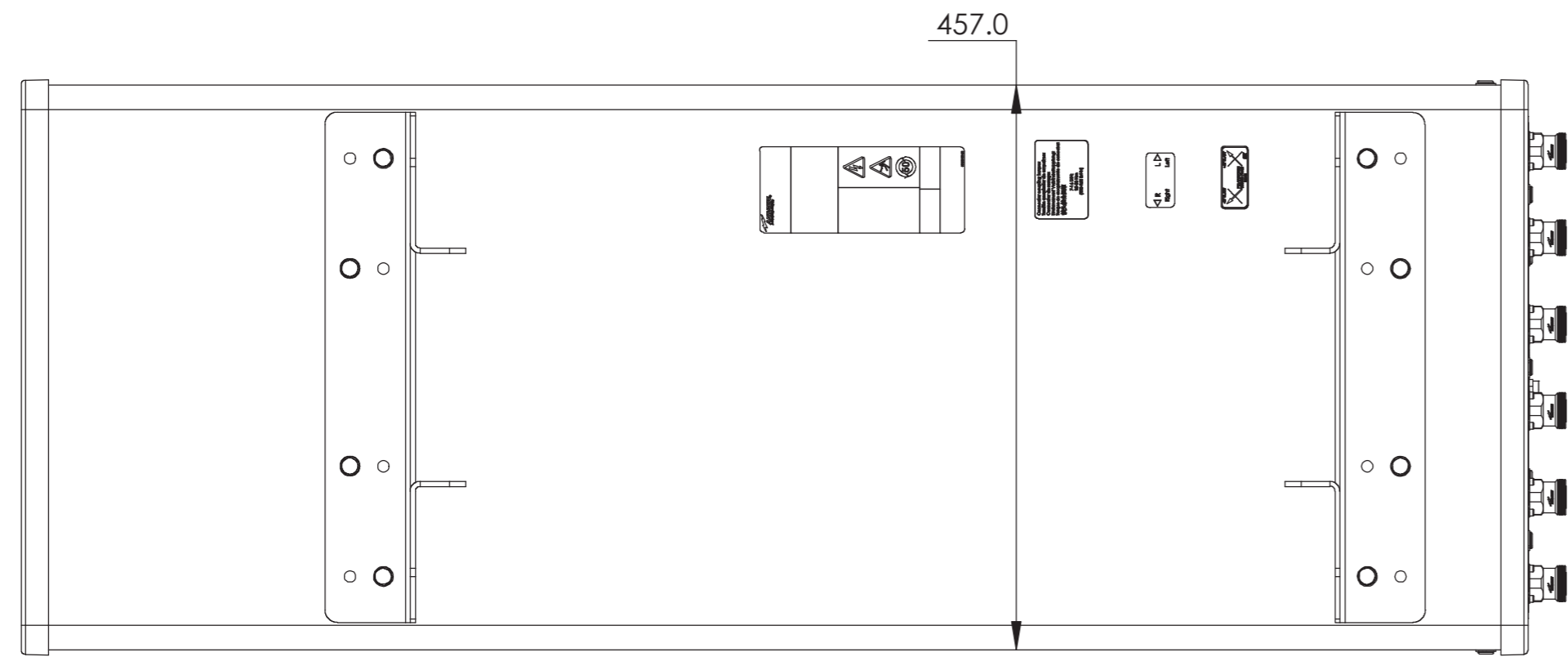
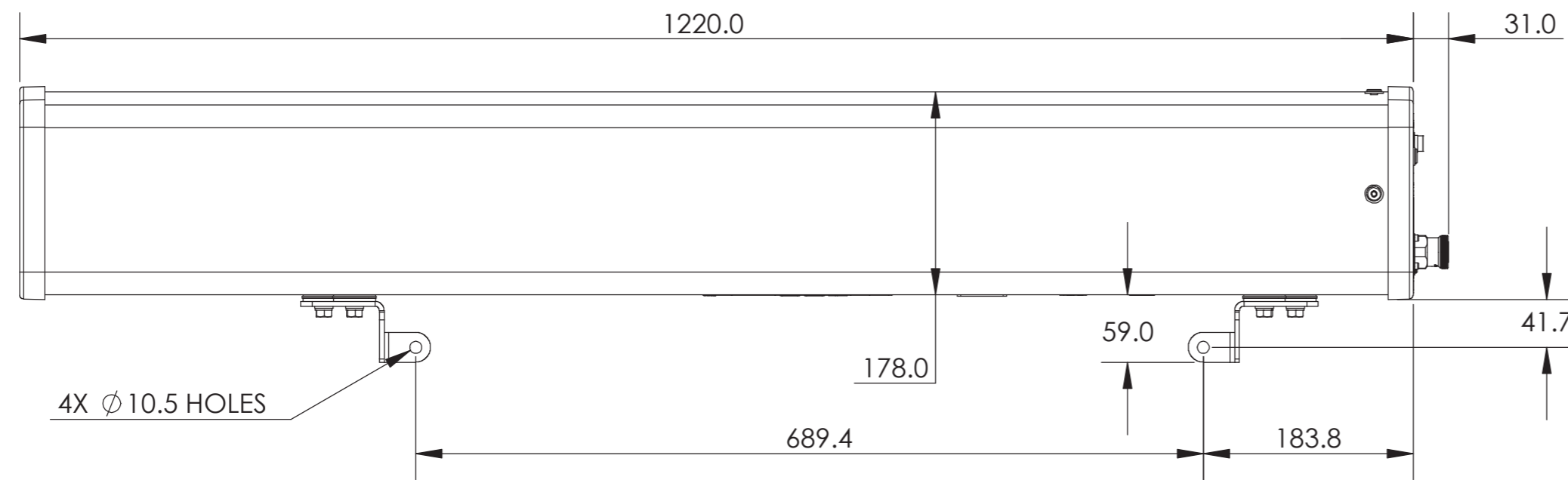


NOTES:

REVISIONS			
REV.	DESCRIPTION	DATE	APPROVED
A	ECR 8000006063: REL TO PRODUCTION PER EAO 602360.	02APR15 HH	WQ/HANSEN.W



SBNHH-1D45A

COMMSCOPE, INC. OF NORTH CAROLINA

DENSITY:	TOLERANCES	SAP MATERIAL MASTER
MASS:	0 PLACE X ±	
VOLUME:	1 PLACE .X ±	
SURFACE AREA:	2 PLACE .XX ±	
	ANGLES ±	

FINISH	MATERIAL
N/A	N/A

UNLESS OTHERWISE SPECIFIED DIMENSIONS ARE IN MILLIMETERS INTERPRET PER ISO STANDARDS HANDBOOK TECHNICAL DRAWINGS VOLUMES 1 & 2, THIRD EDITION (2002)	NAME	DATE	TITLE	
	CE	HH1019	04/02/2015	
	RW	HH1019	04/07/2015	
	RV	HOQIAN	04/07/2015	
	AD	YL1022	04/08/2015	
	RE	LONEWSOM	04/08/2015	
ECN	8000006063-O	SIZE	SCALE	DOCUMENT NO.
		<b>A2</b>	<b>1:5</b>	SBNHH-1D45A-L

HEIGHT	ALL SURFACES	WORK AREA	23	MODEL	DRAWING	SHEET
LENGTH	✓	⊕	⊖	VERSION	STATUS	REVISION
WIDTH				00	RE	<b>A</b>
				00	RE	<b>A</b>

© 2015 CommScope, Inc.  
 NOTICE: These drawings and specifications are the proprietary property of COMMSCOPE, INC. and may be used only for the specific purpose authorized in writing by COMMSCOPE, INC.

100  
A  
B  
C  
D  
E  
F  
G  
H