

8

7

6

5

4

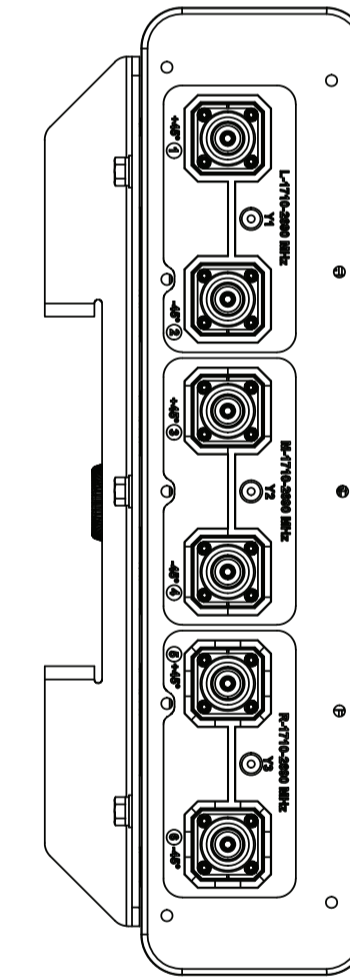
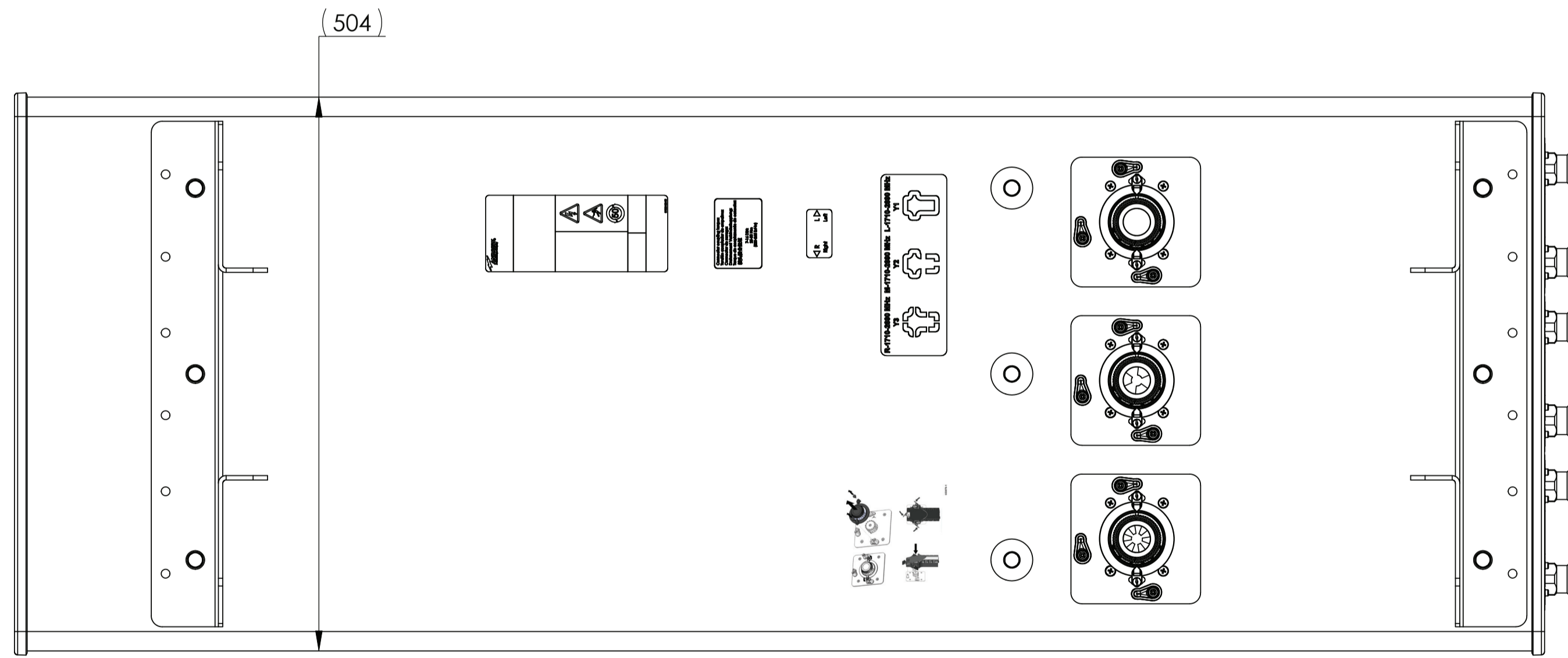
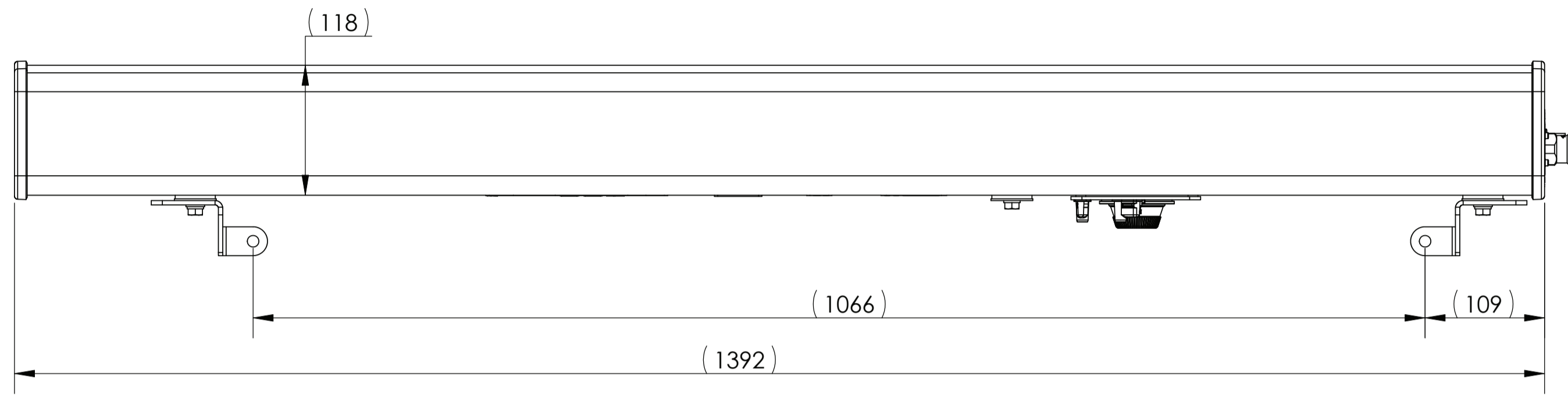
3

2

1

NOTES:

REVISIONS			
REV	DESCRIPTION	DATE	APPROVED
A	RELEASE PER EAO 600448 ECR 7006585.	26FEB13 THD	GD/DUNHAO



MMM65A-M

THIRD ANGLE PROJECTION

THIRD ANGLE PROJECTION

MATERIAL	DENSITY:	UNLESS OTHERWISE SPECIFIED DIMENSIONS ARE IN MILLIMETERS INTERPRET PER ISO STANDARDS HANDBOOK TECHNICAL DRAWINGS, VOLUMES 1 & 2, THIRD EDITION (2002)	WESTCHESTER, IL. 60154 U.S.A.
	MASS:		
FINISH	TOLERANCES	THIRD ANGLE PROJECTION	PRODUCT DRAWING
	0 PLACE X± 1 PLACE .X± 2 PLACE .XX± ANGLES ± ALL SURFACES ✓		SIZE A1 84147
DRAWN BY ECN 7006585-O		AUTH. GROUP 23	DRAWING VERSION STATUS REVISION 00 RW A 00 RW A
NOTICE: These drawings and specifications are the proprietary property of ANDREW CORPORATION and may be used only for the specific purpose authorized in writing by Andrew.			SHEET 1 OF 2

8

7

6

3

2

1

D

D

C

B

A

8

7

6

5

4

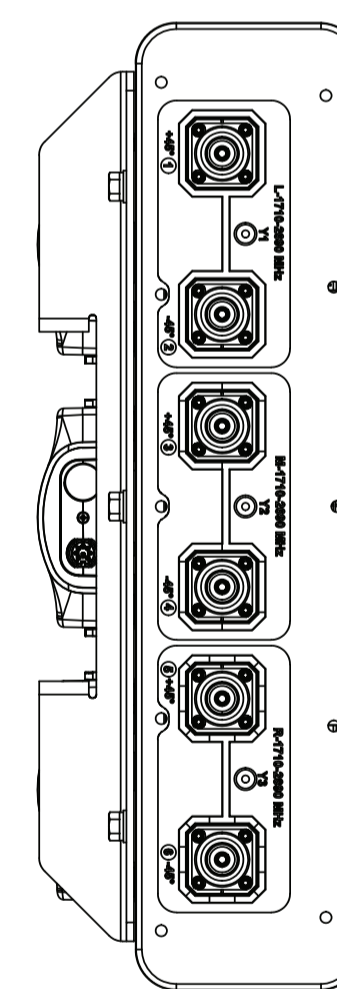
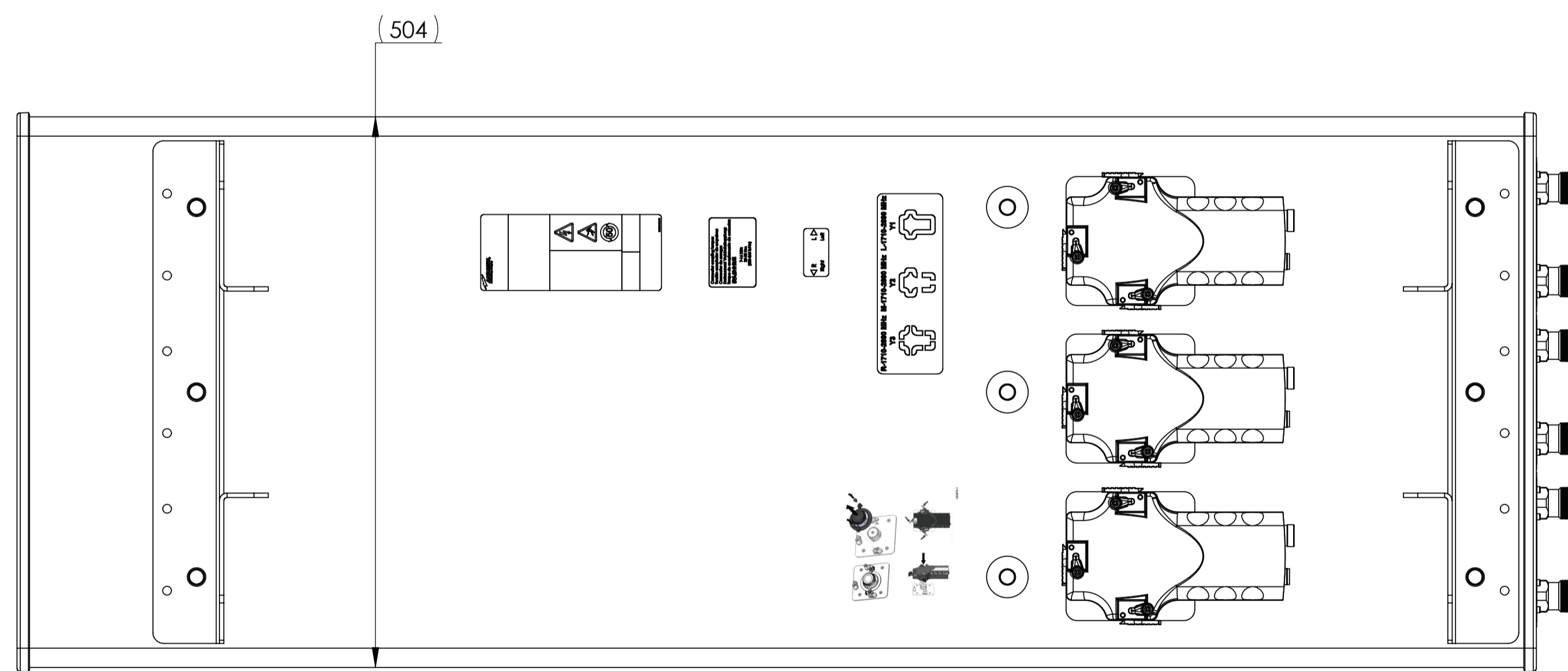
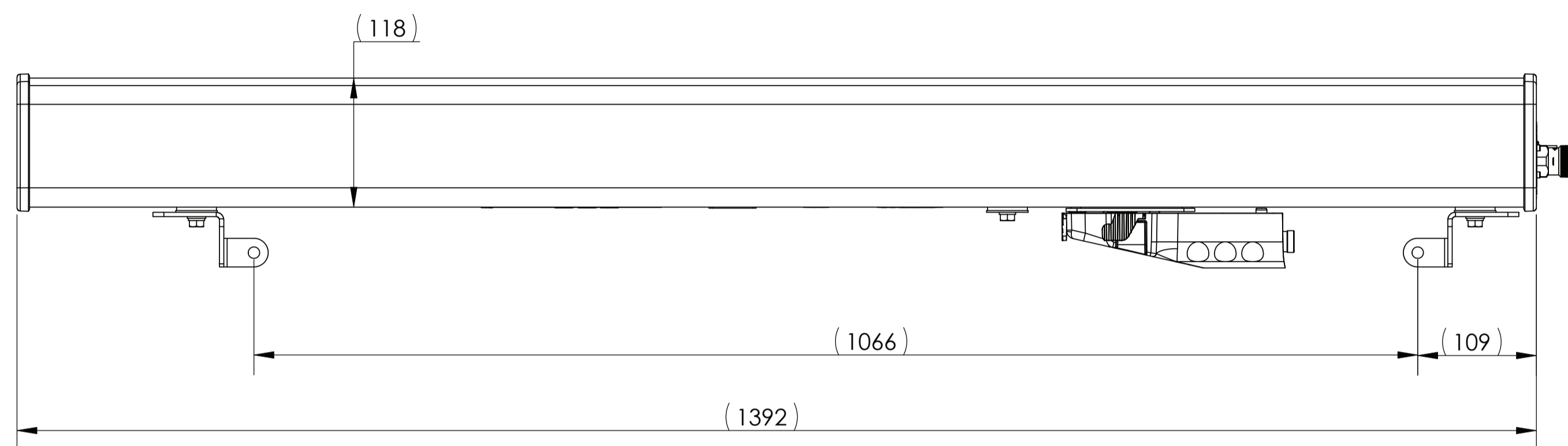
3

2

1

D

D



MMM65A-3X2

THIRD ANGLE PROJECTION

A

A

WESTCHESTER, IL. 60154
U.S.A.

PRODUCT DRAWING

THIRD ANGLE PROJECTION



SIZE
A1 84147

DOCUMENT NO.
MMM65A-M-L

VERSION	STATUS	REVISION	SHEET
00	RW	A	2 OF 2

NOTICE: These drawings and specifications are the proprietary property of ANDREW CORPORATION and may be used only for the specific purpose authorized in writing by Andrew.

8

7

6

THIRD ANGLE PROJECTION

3

2

1