

8

7

6

5

4

3

2

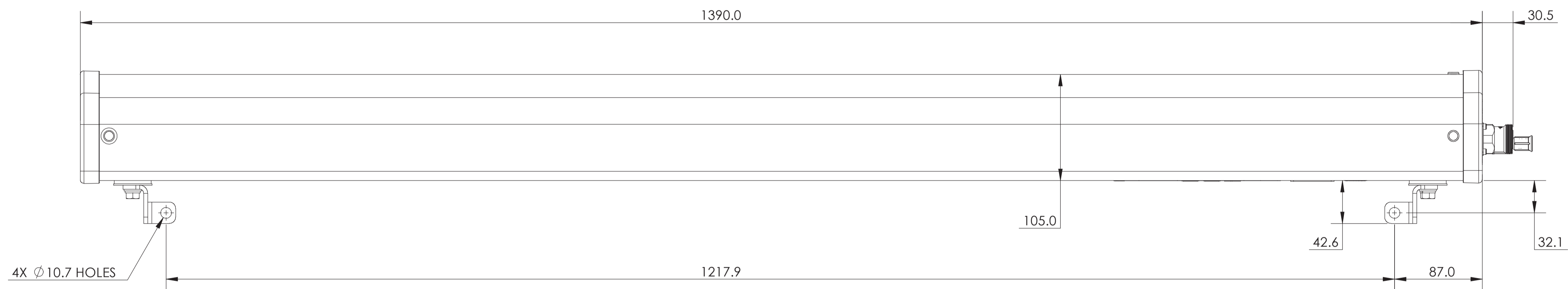
1

NOTES:

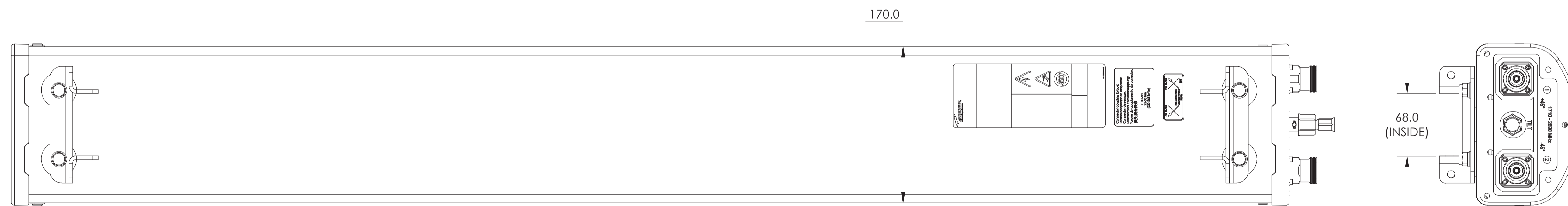
REVISIONS			
REV	DESCRIPTION	DATE	APPROVED
A	ECR 7002473: RELEASE TO PRODUCTION PER EAO 4008483.	07/18/12 ZYL	GD/CYXU
B	ECR 8000000653: ADD HWX-6516DS1T-VTM.	14MAY13 HH	S.LIU/JIHE
C	ECR 8000005559: ADD DXF FILE.	27OCT14 HWW	S.LIU/JIHE

D

D



C



B

HWX-6516DS1-VTM
HWX-6516DS1T-VTM

A

A

MATERIAL N/A	DENSITY: MASS:	UNLESS OTHERWISE SPECIFIED DIMENSIONS ARE IN MILLIMETERS INTERPRET PER ISO STANDARDS HANDBOOK, TECHNICAL DRAWINGS, VOLUMES 1 & 2, THIRD EDITION (2002)	WESTCHESTER, IL. 60154 U.S.A.																								
FINISH N/A	TOLERANCES 0 PLACE X± 1 PLACE .X± 2 PLACE .XX± ANGLES ± ALL SURFACES ✓	THIRD ANGLE PROJECTION	PRODUCT DRAWING																								
		<table border="1"> <tr> <td>DRAWN BY ZYL</td> <td>07/19/12</td> <td>SIZE A1</td> <td>CAGE CODE 84147</td> <td>DOCUMENT NO. HWX-6516DS1-VTM-L</td> </tr> <tr> <td>ECN 8000005559-O</td> <td></td> <td></td> <td></td> <td></td> </tr> <tr> <td>AUTH. GROUP 23</td> <td></td> <td>MODEL</td> <td colspan="2">DRAWING</td> </tr> <tr> <td></td> <td>VERSION 02</td> <td>STATUS RE</td> <td>REVISION C</td> <td>VERSION 02</td> </tr> <tr> <td></td> <td></td> <td></td> <td>STATUS RE</td> <td>REVISION C</td> </tr> </table>	DRAWN BY ZYL	07/19/12	SIZE A1	CAGE CODE 84147	DOCUMENT NO. HWX-6516DS1-VTM-L	ECN 8000005559-O					AUTH. GROUP 23		MODEL	DRAWING			VERSION 02	STATUS RE	REVISION C	VERSION 02				STATUS RE	REVISION C
DRAWN BY ZYL	07/19/12	SIZE A1	CAGE CODE 84147	DOCUMENT NO. HWX-6516DS1-VTM-L																							
ECN 8000005559-O																											
AUTH. GROUP 23		MODEL	DRAWING																								
	VERSION 02	STATUS RE	REVISION C	VERSION 02																							
			STATUS RE	REVISION C																							
NOTICE: These drawings and specifications are the proprietary property of ANDREW CORPORATION and may be used only for the specific purpose authorized in writing by Andrew.																											

8

7

6

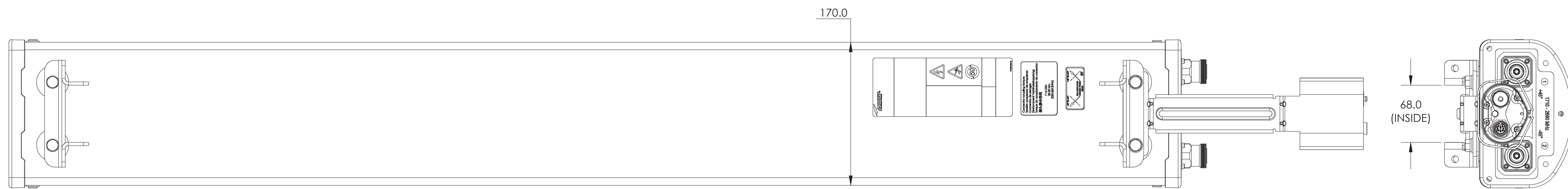
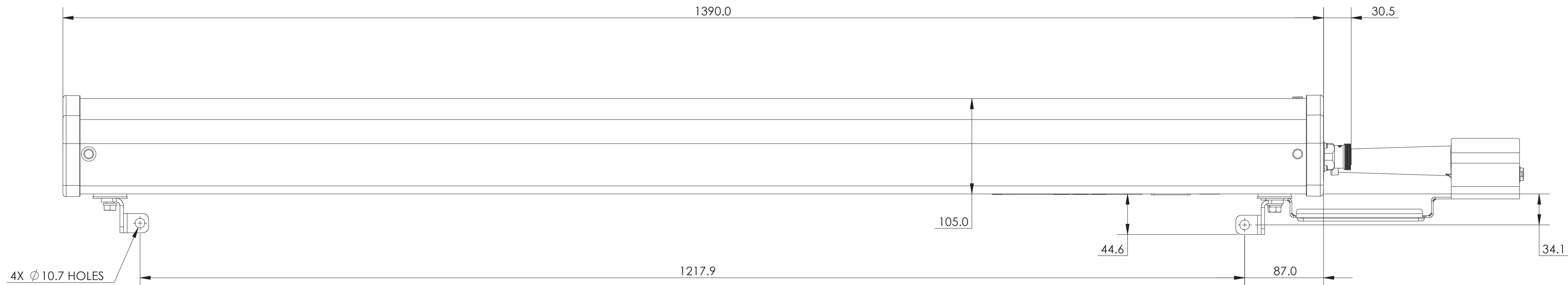
THIRD ANGLE PROJECTION

3

2

1

THIRD ANGLE PROJECTION



HWX-6516DS1-A1M

WESTCHESTER, IL. 60154
U.S.A.

PRODUCT DRAWING

THIRD ANGLE PROJECTION



SIZE
A1 84147

DOCUMENT NO.
HWX-6516DS1-VTM-L

NOTICE: These drawings and specifications are the proprietary property of ANDREW CORPORATION and may be used only for the specific purpose authorized in writing by Andrew.			
VERSION	STATUS	REVISION	SHEET
02	RE	C	2 OF 2

THIRD ANGLE PROJECTION