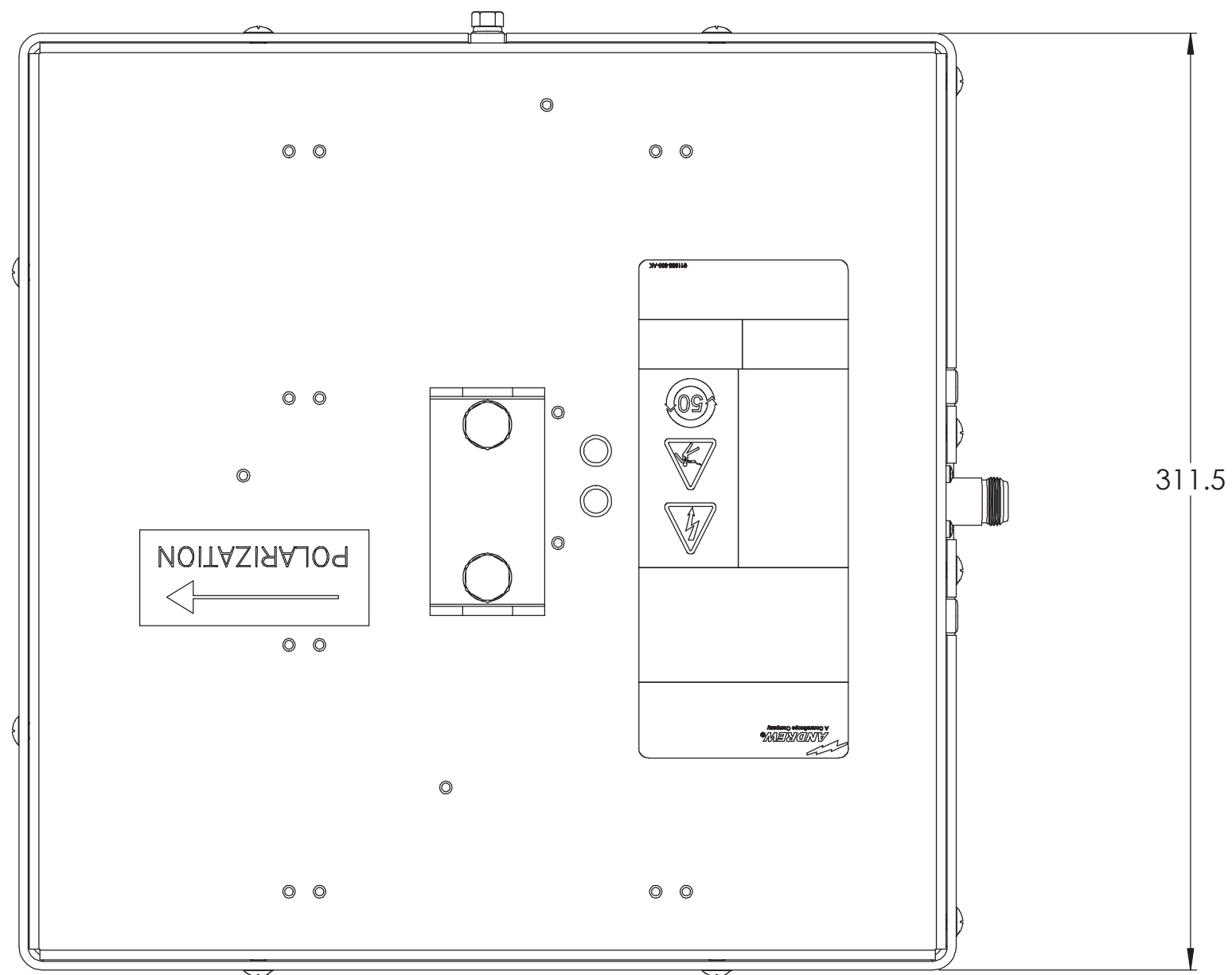
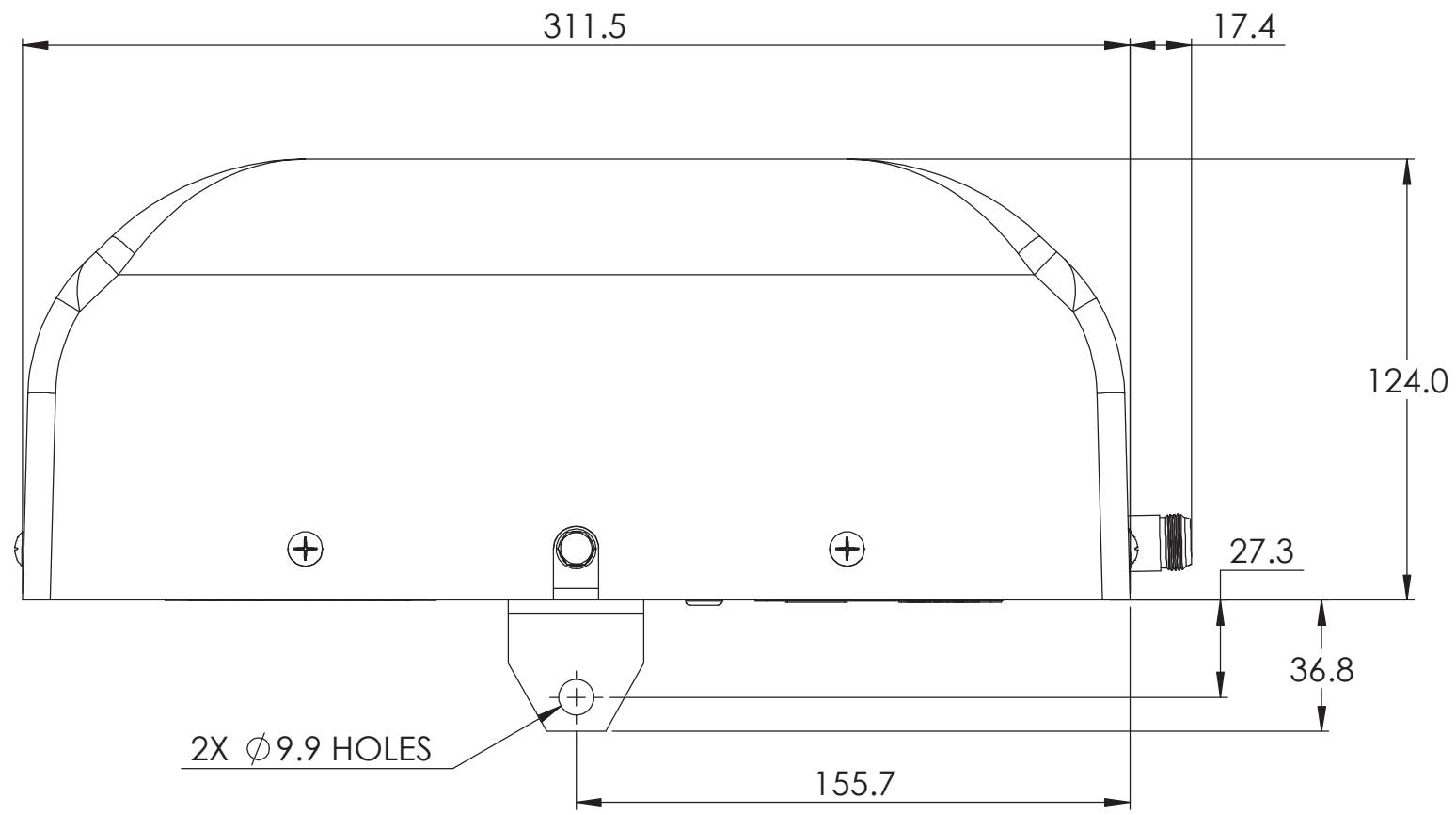
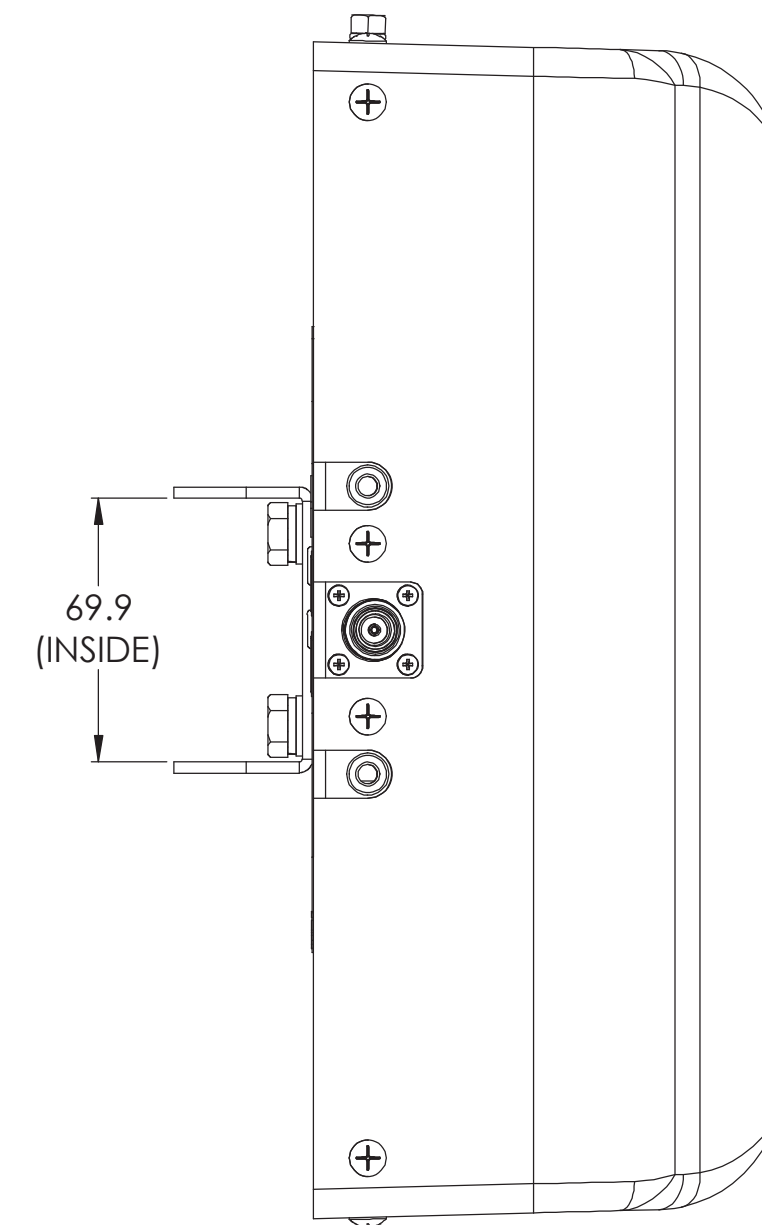


NOTES:



REVISIONS				
REV	DESCRIPTION	DATE	APP.	
A	RELEASE PER EAO 4005265, ECR 5085639 EE: LGWU ME: KDI	23FEB09 HQJ	LGWU / KDI	
B	ECR 5087341: ADD MATERIAL DB992HG28N-B ON DRAWING.	18MAY09 K.W	S.LIU / MLZ	
C	ECR 5097464: UPDATE DRAWING PER TRAY.	08JUN10 THD	LGWU / KDI	
D	ECR 8000005285: ADD DXF FILE.	10OCT14 QF	S.LIU/JIHE	



**HWV-3014LS-TOM
(DB992HG28N-B)**

MATERIAL	DENSITY: MASS:	UNLESS OTHERWISE SPECIFIED DIMENSIONS ARE IN INCHES INTERPRET PER ANSI Y14.5M-1994	WESTCHESTER, IL. 60154 U.S.A.	
FINISH	<u>TOLERANCES</u> 1 PLACE .X ± 2 PLACE .XX ± 3 PLACE .XXX ± ANGLES ± ALL SURFACES ✓		THIRD ANGLE PROJECTION 	
	DRAWN BY HQJ 23FEB09 ECN 8000005285-O		SIZE C	CAGE CODE 84147
NOTICE: These drawings and specifications are the proprietary property of ANDREW CORPORATION and may be used only for the specific purpose authorized in writing by Andrew.			AUTH. GROUP 23	MODEL DRAWING VERSION STATUS REVISION 02 RE C
			DOCUMENT NO. HWV-3014LS-TOM-L	SHEET 1 OF 1