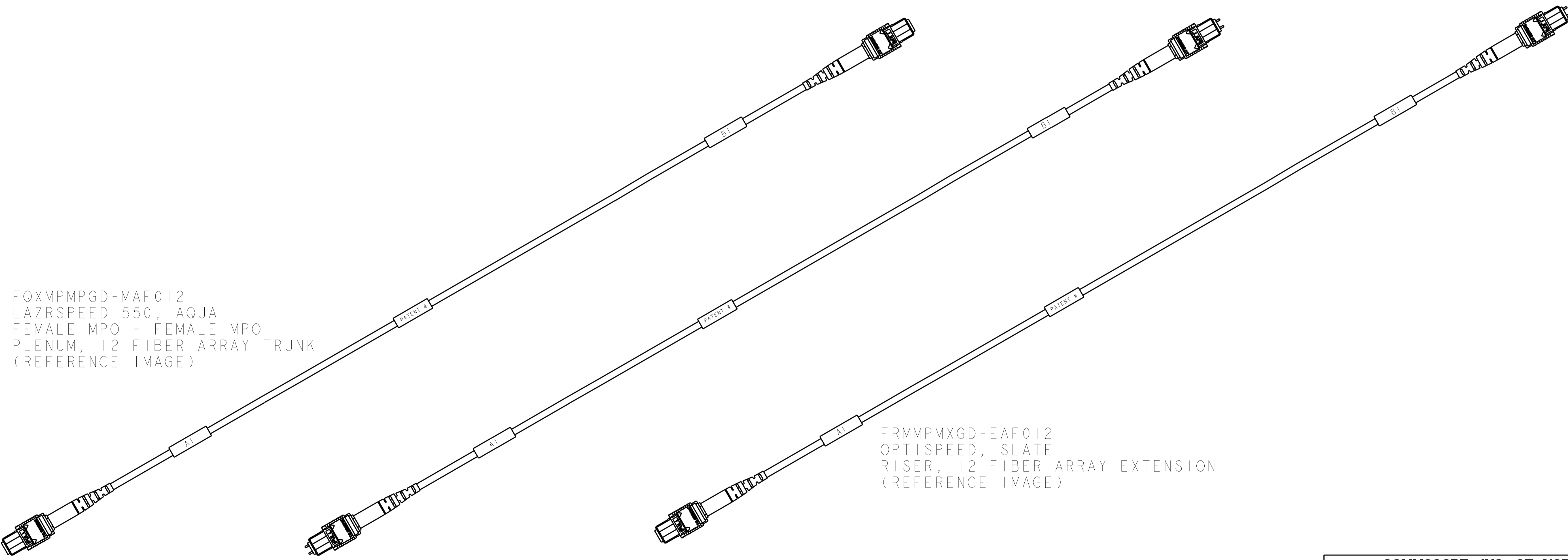


REVISIONS			
REV	DESCRIPTION	DATE	APPROVED
B		25-APR-2015	

F FIBER	a FAMILY Q=ARRAY, PLENUM INSTAPATCH R=ARRAY, LSZH INSTAPATCH 2=ARRAY, PLENUM READYPATCH	b FIBER TYPE H=LAZRSPEED 150 MULTIMODE Z=LAZRSPEED 300 MULTIMODE X=LAZRSPEED 550 MULTIMODE M=OPTISPEED MULTISPEED W=TERASPEED SINGLEMODE U=LAZRSPEED WB 300 V=LAZRSPEED WB 550	cc TERMINATION END A MP=MPO(FEMALE) MX=MPO(MALE) EQ=OBSOLETE [2.8] MQ=MPO(FEMALE) EQUIPMENT	dd TERMINATION END B MP=MPO(FEMALE) MX=MPO(MALE) EQ=OBSOLETE [2.8] MQ=MPO(FEMALE) EQUIPMENT	e CONSTRUCTION G=12 FIBER PmP ARRAY	f FIBER COUNT D= 12 FIBER	g COLOR C=GREEN E=SLATE J=YELLOW M=AQUA N=LIME GREEN	h OPTIONS A=NO GLAND	j UNIT OF MEASURE F= FEET M= METER	kkk LENGTH FEET 002 - 200 METERS 001 - 61
------------	--	---	--	--	---	---------------------------------	--	----------------------------	--	--



FQXMPMPGD-MAF012
LAZRSPEED 550, AQUA
FEMALE MPO - FEMALE MPO
PLENUM, 12 FIBER ARRAY TRUNK
(REFERENCE IMAGE)

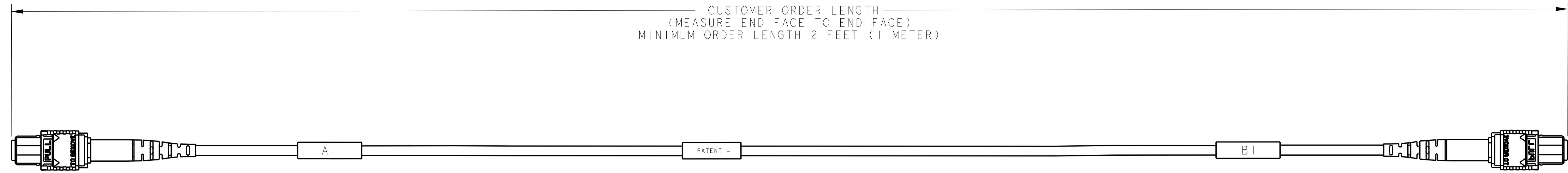
FRMPPMXGD-EAF012
OPTISPEED, SLATE
RISER, 12 FIBER ARRAY EXTENSION
(REFERENCE IMAGE)

F2WMXMXGD-JAF012
TERASPEED, YELLOW
MALE MPO - MALE MPO
PLENUM, 12 FIBER ARRAY CROSS CONNECT
(REFERENCE IMAGE)

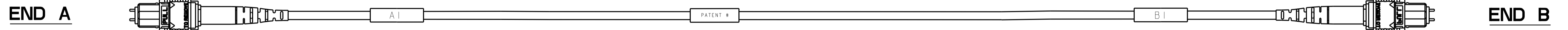
COMMSCOPE, INC. OF NORTH CAROLINA											
TOLERANCES					SAP MATERIAL MASTER						
FINISH					MATERIAL						
SYMBOLS AGREE WITH ASME Y14.5M - 2009 - ALL SHEETS ARE THE SAME REVISION AND STATUS.	DRAFTER TOM REIDLAND			TITLE CABLE ASSEMBLY, ARRAY PATCH CORD, MPO-MPO CONFIGURABLE							
	CHECKER			ENGINEER TOM REIDLAND			SIZE A I	SCALE	DOCUMENT NO. CD100H3241		
	ECN 8000007596			ALL SURFACES			WORK AREA: 52	MODEL		DRAWING	
				VERSION			STATUS	REVISION	VERSION	STATUS	REVISION
			01					01		RE	B
© 2015 CommScope, Inc. Confidential NOTICE: These drawings and specifications are the proprietary property of COMMSCOPE, INC. and may be used only for the specific purpose authorized in writing by COMMSCOPE, INC.											

TERMINATION END A = MP, MX

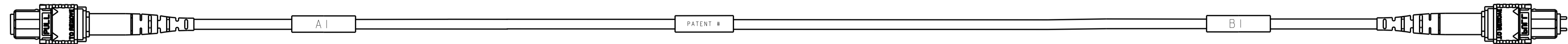
CUSTOMER ORDER LENGTH
(MEASURE END FACE TO END FACE)
MINIMUM ORDER LENGTH 2 FEET (1 METER)



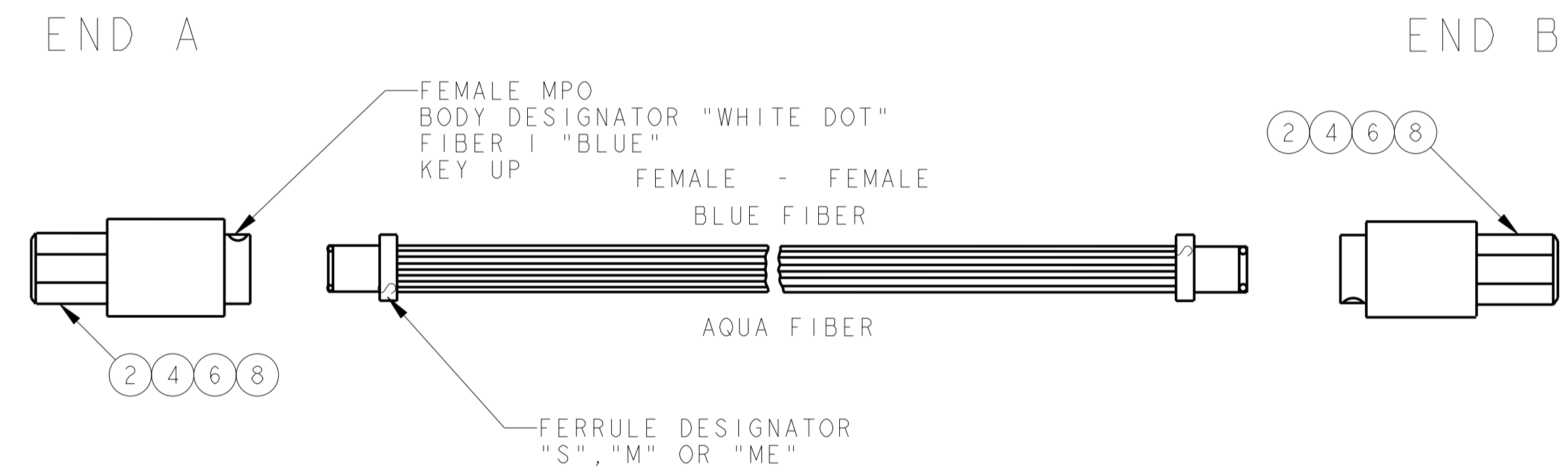
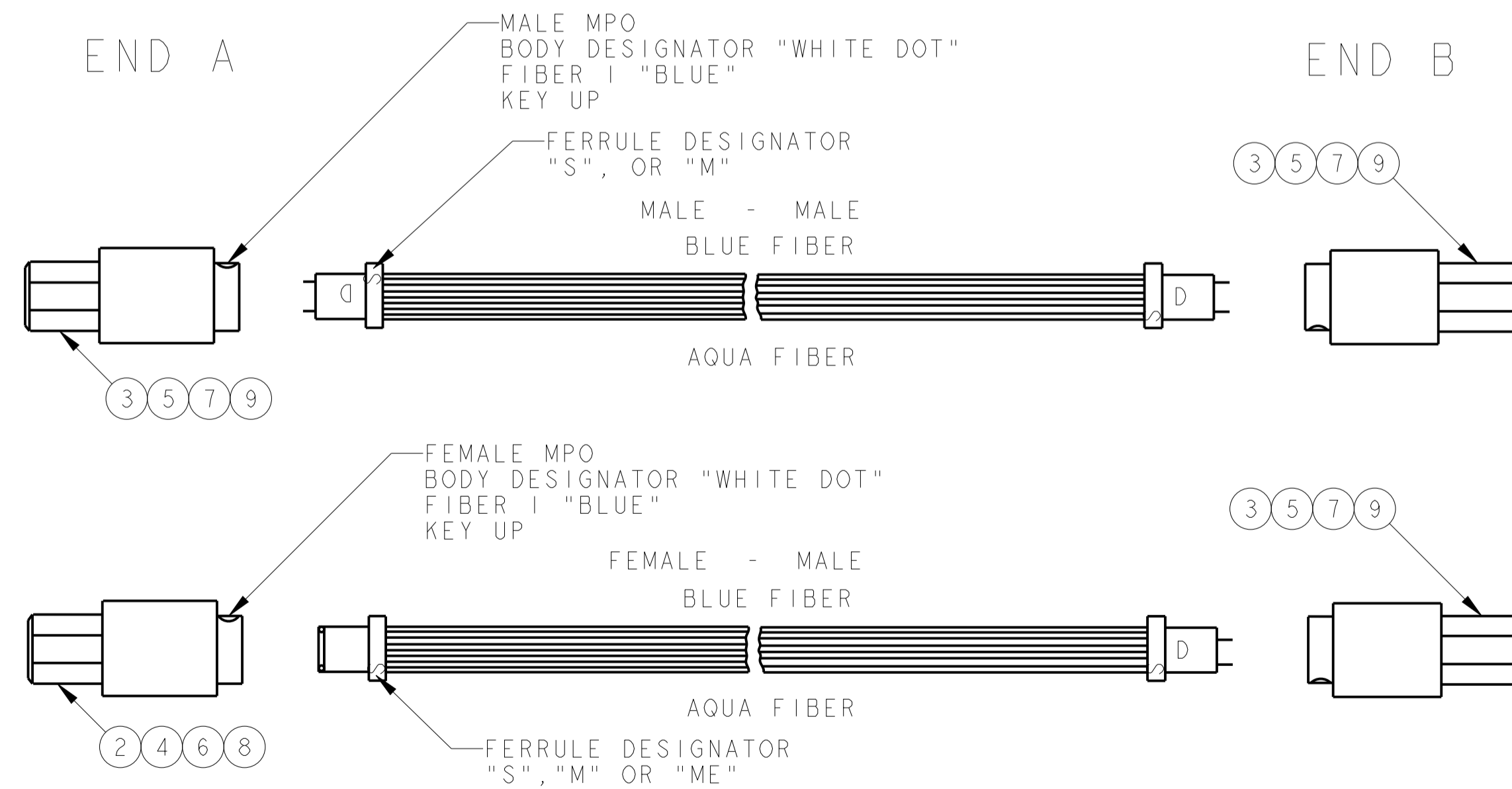
FEMALE - FEMALE TRUNK CORD



MALE - MALE CROSS CONNECT CORD



FEMALE - MALE EXTENSION CORD



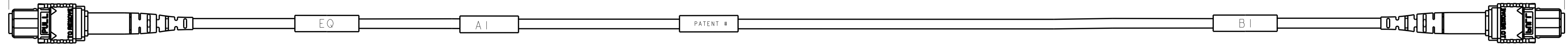
POLARITY DETAIL

COMMSCOPE, INC. OF NORTH CAROLINA			
TITLE CABLE ASSEMBLY, ARRAY PATCH CORD, MPO-MPO CONFIGURABLE			
SIZE A1	SCALE	DOCUMENT NO. CD100H3241	
DRAWING VERSION STATUS REVISION			SHEET 2 OF 3
01 RE B			

© 2015 CommScope, Inc. Confidential
NOTICE: These drawings and specifications are the proprietary property of COMMSCOPE, INC. and may be used only for the specific purpose authorized in writing by COMMSCOPE, INC.

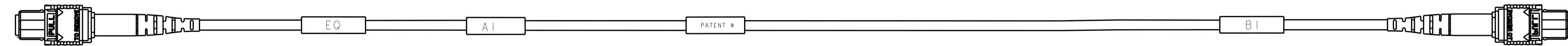
TERMINATION END A = EQ

CUSTOMER ORDER LENGTH
(MEASURE END FACE TO END FACE)
MINIMUM ORDER LENGTH 2 FEET (1 METER)



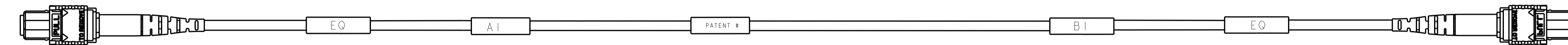
EQUIPMENT (EQ) - FEMALE (MP) CORD

END A

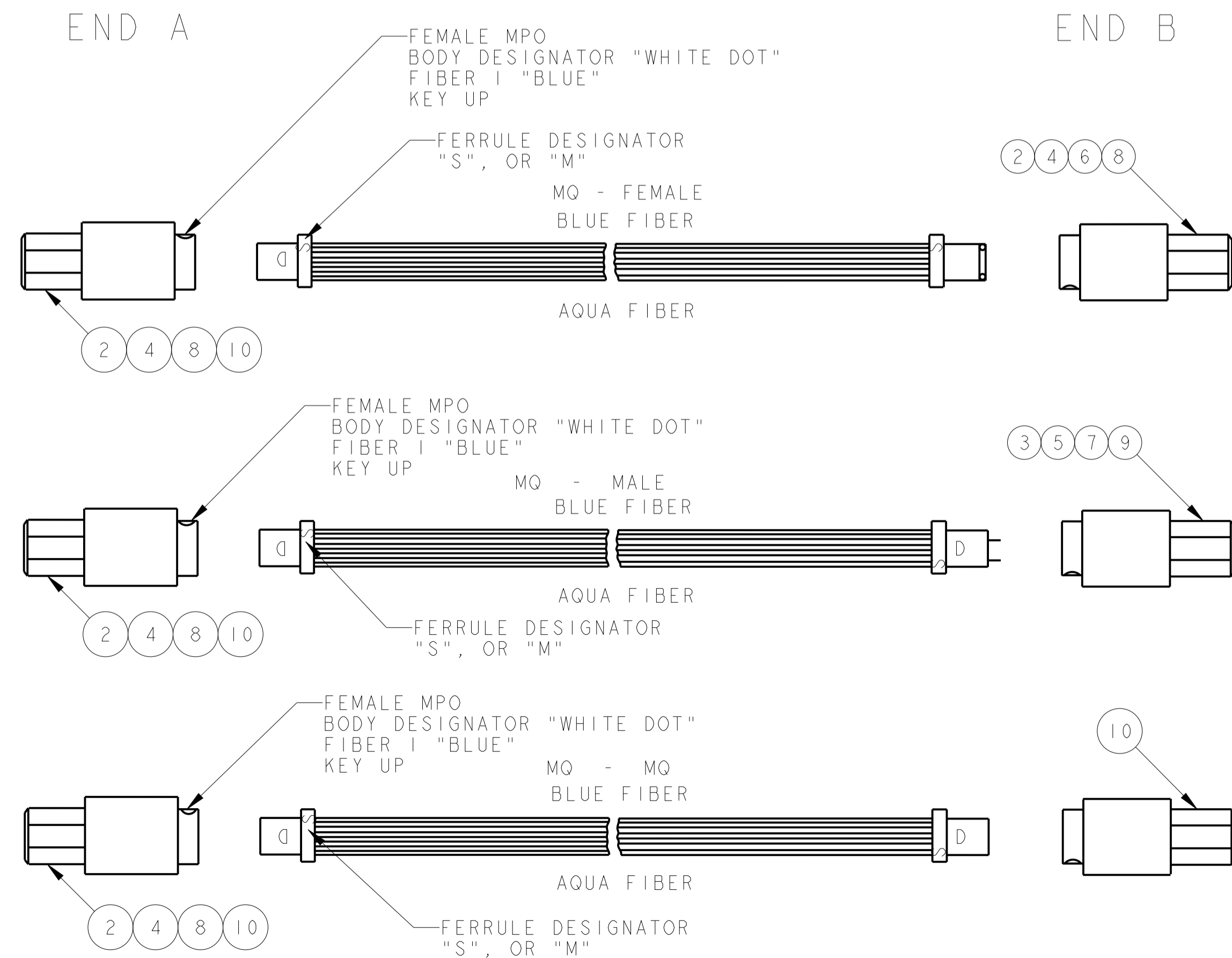


END B

EQUIPMENT (EQ) - MALE (MX) CORD



EQUIPMENT (EQ) - EQUIPMENT (EQ) CORD



COMMSCOPE, INC. OF NORTH CAROLINA			
TITLE CABLE ASSEMBLY, ARRAY PATCH CORD, MPO-MPO CONFIGURABLE			
SIZE A1	SCALE	DOCUMENT NO. CD100H3241	
DRAWING VERSION STATUS REVISION			SHEET 3 OF 3
01	RE	B	

© 2015 CommScope, Inc. Confidential
NOTICE: These drawings and specifications are the proprietary property of COMMSCOPE, INC. and may be used only for the specific purpose authorized in writing by COMMSCOPE, INC.