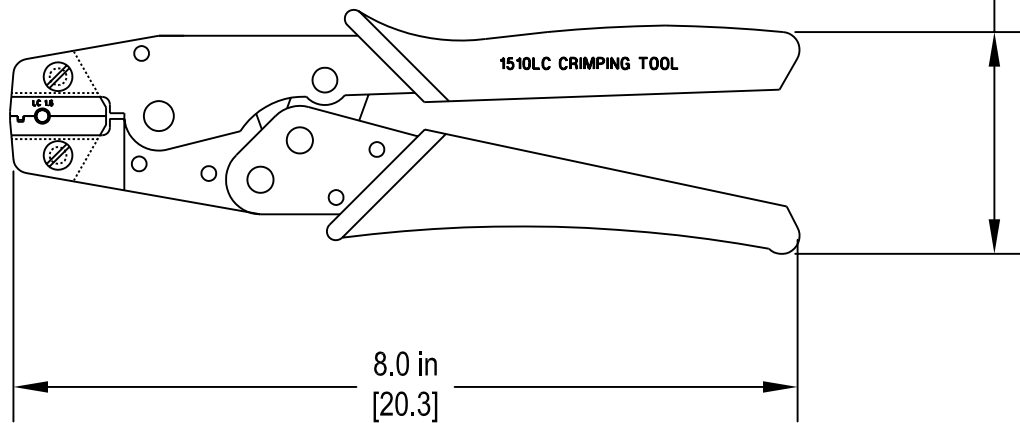


CATALOG NO.	DESCRIPTION	WEIGHT (lbs.)
FOT-KIT-TOL-LC-CRIMP	LC CRIMPING TOOL	2.0



2.8 in
[7.1]
OPEN 6.1 in
[15.5]

NOTES:

1. SEE UNIPRISE CATALOG FOR PART NUMBER SUFFIXES TO INDICATE COLOR/PKG.
2. SEE UNIPRISE CATALOG FOR COMPLETE LIST OF PARTS RELATED TO THE USE OF THIS PRODUCT.
3. DIMENSIONS IN PARENTHESES ARE IN METRIC.

FOT-KIT-TOL-LC-CRIMP

COMMSCOPE, INC HICKORY, NORTH CAROLINA

Uniprise

DRAWN BY

DATE

DWG NO.

REV	DATE	ECR	DESCRIPTION	BY