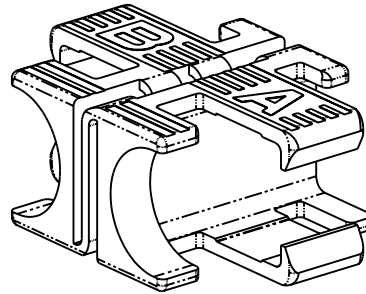
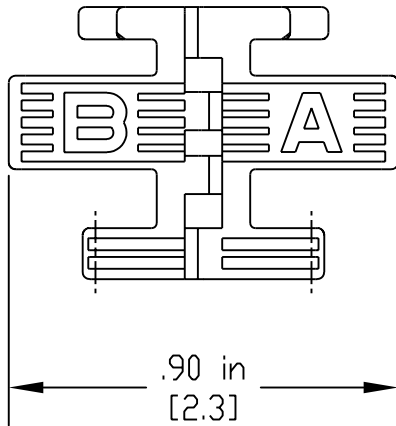
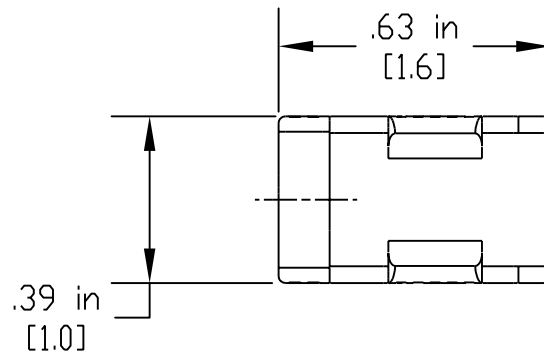
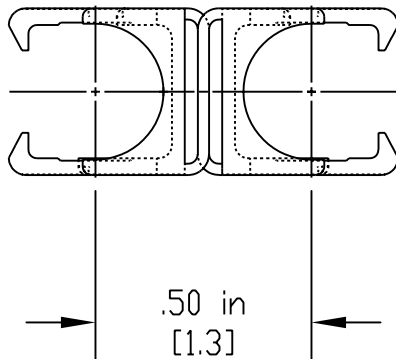


CATALOG NO.	DESCRIPTION	WEIGHT (lbs.)
FOT-KIT-SC-CLP	SC DUPLEX CLIP	0.05



NOTES:

1. SEE UNIPRISE CATALOG FOR PART NUMBER SUFFIXES TO INDICATE COLOR/PKG.
2. SEE UNIPRISE CATALOG FOR COMPLETE LIST OF PARTS RELATED TO THE USE OF THIS PRODUCT.
3. DIMENSIONS IN PARENTHESES ARE IN METRIC.
4. 10 PER PACKAGE



FOT-KIT-SC-CLP	
COMMSCOPE, INC HICKORY, NORTH CAROLINA	
Uniprise	
DRAWN BY	
DATE	
DWG NO.	

REV	DATE	ECR	DESCRIPTION	BY