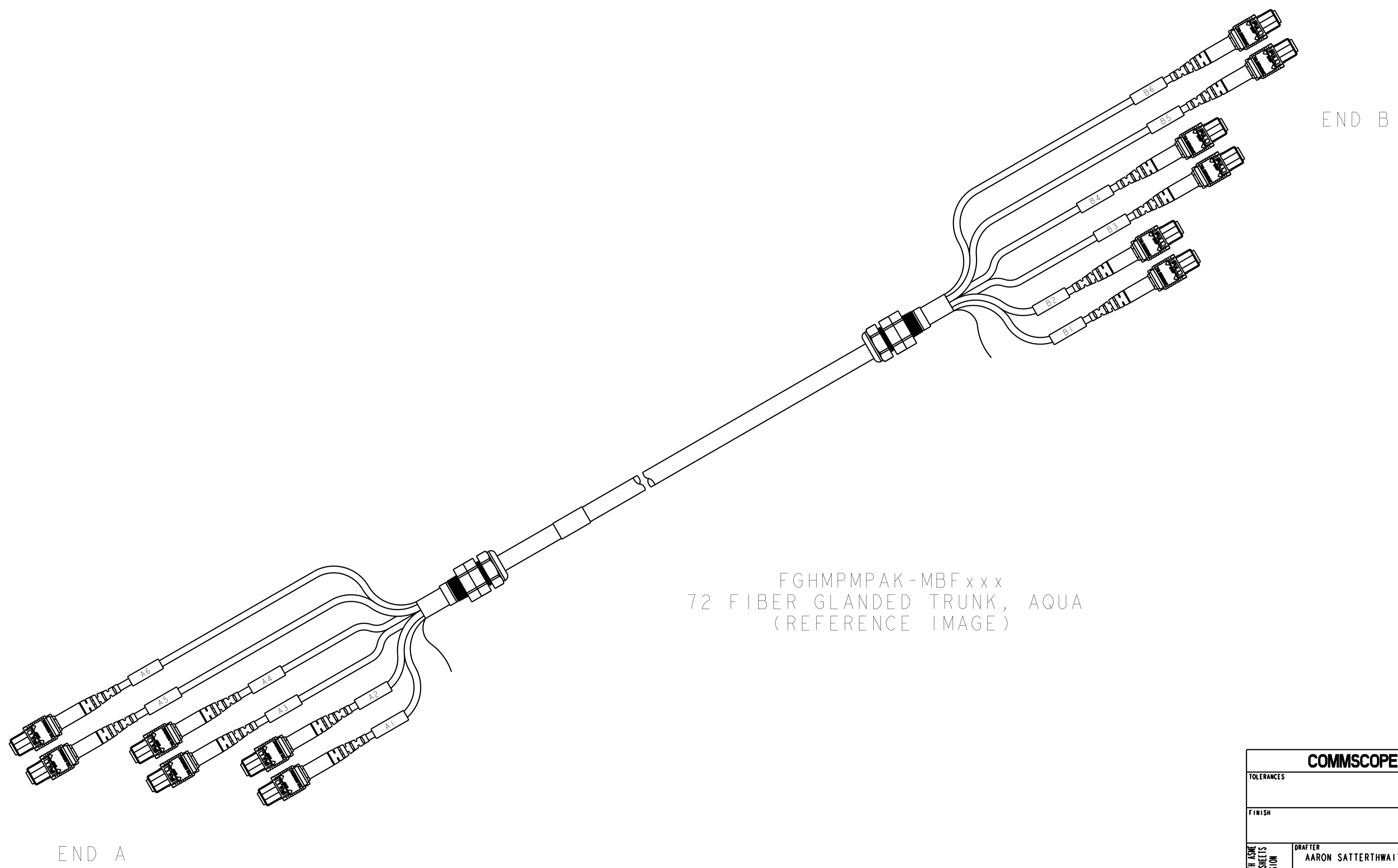


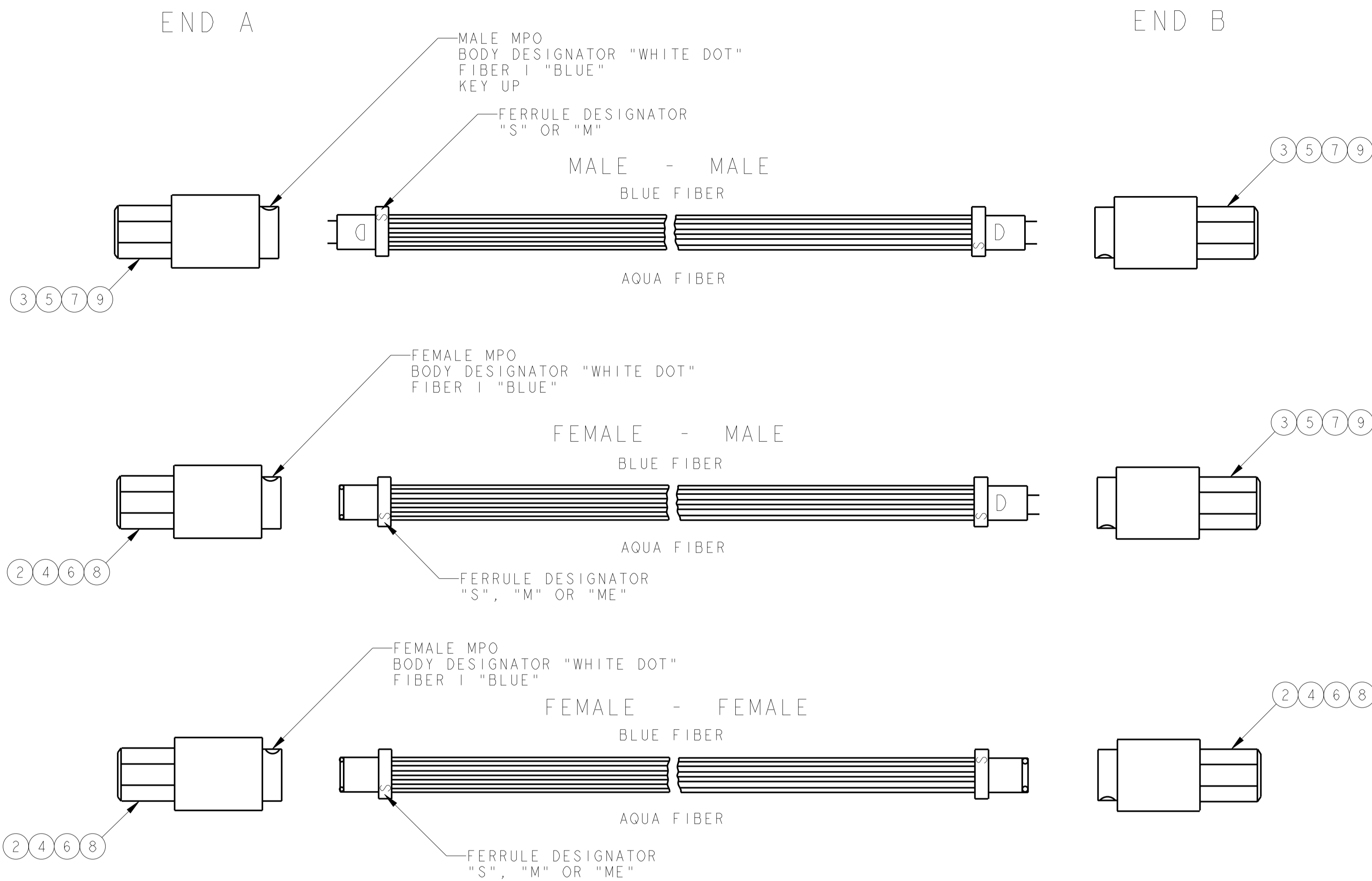
| REVISIONS |             |             |          |
|-----------|-------------|-------------|----------|
| REV       | DESCRIPTION | DATE        | APPROVED |
| B         |             | 18-SEP-2015 |          |

|                   |   |   |   |   |   |  |   |   |   |  |
|-------------------|---|---|---|---|---|--|---|---|---|--|
| <b>F</b><br>FIBER | <b>a</b><br>FAMILY<br>G=TRUNK, PLENUM<br>INSTAPATCH<br>J=TRUNK, LSZH<br>INSTAPATCH<br>Y=TRUNK, PLENUM<br>READYPATCH | <b>b</b><br>FIBER TYPE<br>H=LAZRSPEED 150<br>MULTIMODE<br>Z=LAZRSPEED 300<br>MULTIMODE<br>X=LAZRSPEED 550<br>MULTIMODE<br>M=OPTISPEED<br>MULTIMODE<br>W=TERASPEED<br>SINGLEMODE<br>U=LAZRSPEED WB 300<br>V=LAZRSPEED WB 550 | <b>cc</b><br>TERMINATION<br>END A<br>MP=MPO(FEMALE)<br>MX=MPO(MALE) | <b>dd</b><br>TERMINATION<br>END B<br>MP=MPO(FEMALE)<br>MX=MPO(MALE)<br>UC=UNCONNECTORIZED | <b>e</b><br>CONSTRUCTION<br>A=12 FIBER PmP<br>D=12 FIBER PmP I/O<br>P=12 FIBER PmP (PVDF) | <b>f</b><br>FIBER COUNT<br>D= 12 FIBER<br>F= 24 FIBER<br>G= 36 FIBER<br>H= 48 FIBER<br>K= 72 FIBER<br>L= 96 FIBER<br>M=144 FIBER | <b>g</b><br>COLOR<br>A=BLUE<br>B=ORANGE<br>C=GREEN<br>D=BROWN<br>E=SLATE<br>F=WHITE<br>G=RED<br>H=BLACK<br>J=YELLOW<br>K=VIOLET<br>L=ROSE<br>M=AQUA<br>N=LIME GREEN | <b>h</b><br>OPTIONS<br>A=NO GLAND<br>B=WITH GLAND<br>C=WITH PULLING EYE | <b>j</b><br>UNIT<br>OF MEASURE<br>F= FEET<br>M= METER | <b>kkk</b><br>LENGTH<br>FEET<br>010 - 999<br>METERS<br>003 - 999 |
|-------------------|---|---|---|---|---|--|---|---|---|--|

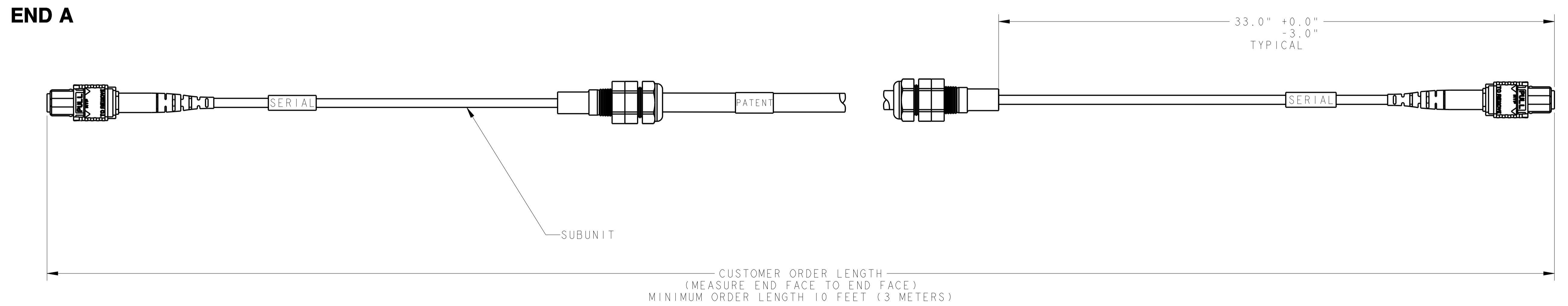


|  |                                 |  |  |  |                     |  |               |  |  |                            |  |  |
|--|---------------------------------|--|--|--|---------------------|--|---------------|--|--|----------------------------|--|--|
| <b>COMMScope, INC. OF NORTH CAROLINA</b>   |                                 |  |  |  |                     |  |               |  |  |                            |  |  |
| TOLERANCES   |                                 |  |  |  | SAP MATERIAL MASTER |  |               |  |  |                            |  |  |
| FINISH   |                                 |  |  |  | MATERIAL            |  |               |  |  |                            |  |  |
| SYMBOLS AGREE WITH ASME Y14.5M - 2009 - ALL SHEETS ARE THE SAME REVISION AND STATUS.   | DRAFTER<br>AARON SATTERTHWAITE  |  |  | TITLE<br>CABLE ASSEMBLY, MPO, CONFIGURABLE TRUNK |                     |  |               |  |  |                            |  |  |
|  | CHECKER<br>ISAAC REIDLAND       |  |  | SIZE<br>A 1                                      |                     |  | SCALE         |  |  | DOCUMENT NO.<br>CD100H3235 |  |  |
|  | ENGINEER<br>AARON SATTERTHWAITE |  |  | ECN<br>8000001448                                |                     |  | MODEL         |  |  | DRAWING                    |  |  |
|  | ALL SURFACES                    |  |  | WORK AREA: 52                                    |                     |  | VERSION<br>02 |  |  | STATUS<br>RE B             |  |  |
| NOTICE: These drawings and specifications are the proprietary property of COMMScope, Inc. and may be used only for the specific purpose authorized in writing by COMMScope, Inc. |                                 |  |  |  |                     |  |               |  |  |                            |  |  |
| SHEET 1 OF 8   |                                 |  |  |  |                     |  |               |  |  |                            |  |  |

© 2015 CommScope, Inc. Confidential  
 NOTICE: These drawings and specifications are the proprietary property of COMMScope, Inc. and may be used only for the specific purpose authorized in writing by COMMScope, Inc.



**POLARITY DETAIL - APPLIES TO ALL FIBER COUNTS**



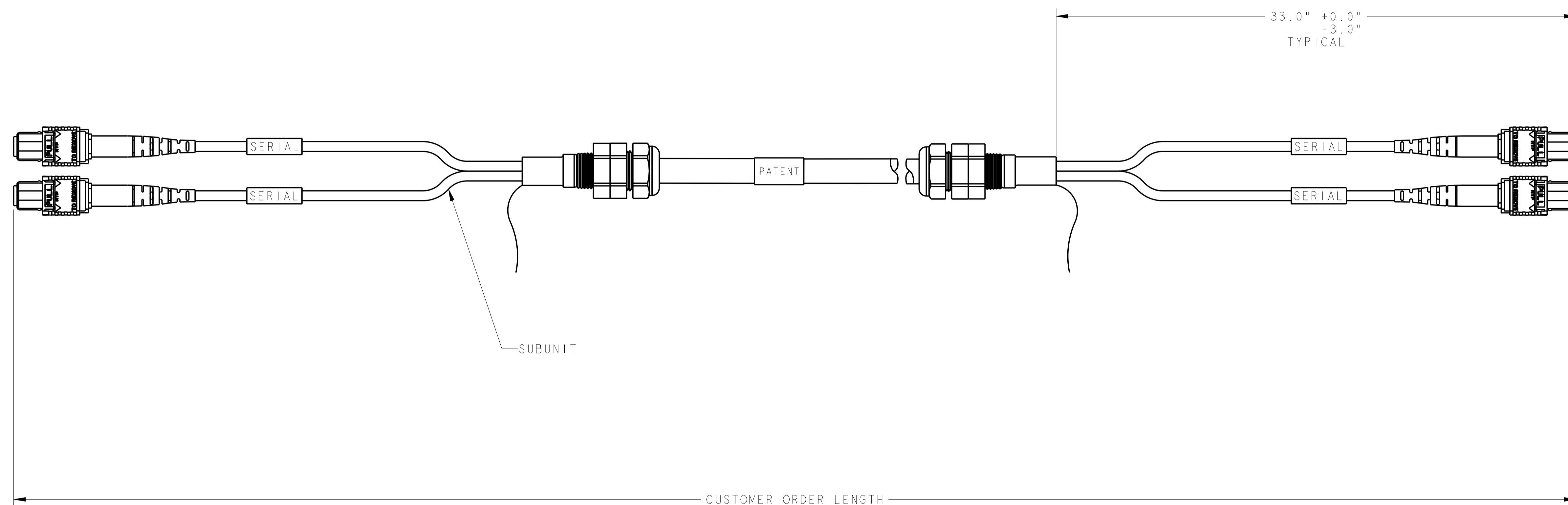
**FIBER COUNT = D (12 FIBER)**

|   |       |                            |                 |
|---|-------|----------------------------|-----------------|
| COMMSCOPE, INC. OF NORTH CAROLINA                   |       |                            |                 |
| TITLE<br>CABLE ASSEMBLY,<br>MPO, CONFIGURABLE TRUNK |       |                            |                 |
| SIZE<br>A1  | SCALE | DOCUMENT NO.<br>CD100H3235 |                 |
| DRAWING<br>VERSION STATUS REVISION<br>02 RE B       |       |                            | SHEET<br>2 OF 8 |

© 2015 CommScope, Inc. Confidential  
NOTICE: These drawings and specifications are the proprietary property of COMMSCOPE, INC. and may be used only for the specific purpose authorized in writing by COMMSCOPE, INC.

END A

END B



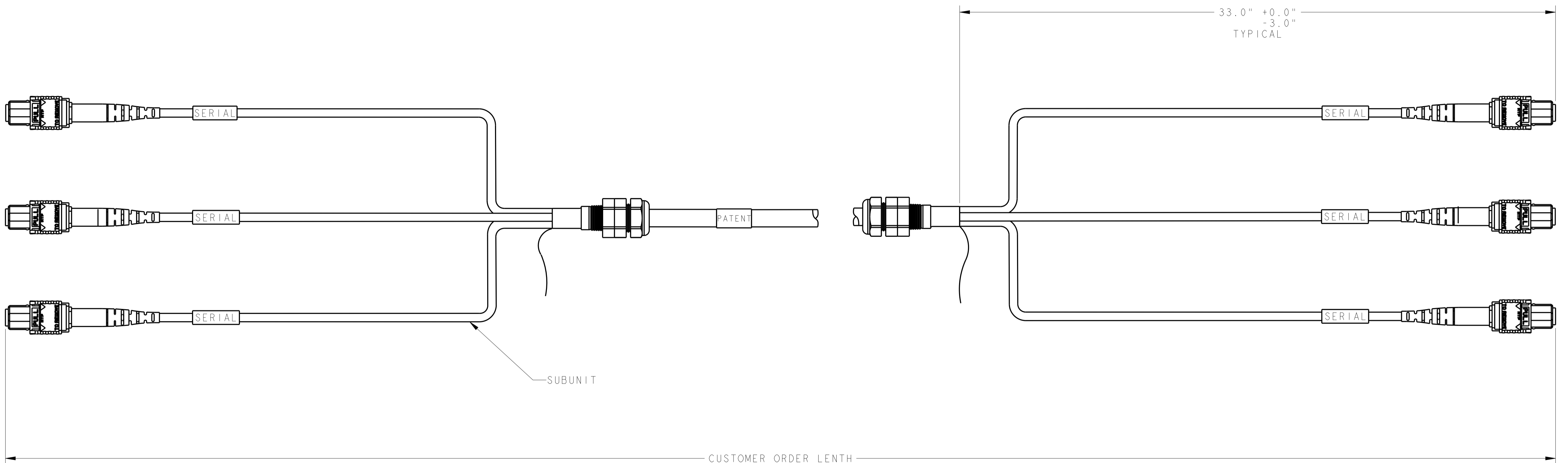
**FIBER COUNT = F (24 FIBER)**

|   |              |                            |        |
|---|--------------|----------------------------|--------|
| COMMSCOPE, INC. OF NORTH CAROLINA                   |              |                            |        |
| TITLE<br>CABLE ASSEMBLY,<br>MPO, CONFIGURABLE TRUNK |              |                            |        |
| SIZE<br>A1  | SCALE        | DOCUMENT NO.<br>CD100H3235 |        |
| DRAWING   |              |                            | SHEET  |
| VERSION<br>02                                       | STATUS<br>RE | REVISION<br>B              | 3 OF 8 |

© 2015 CommScope, Inc. Confidential  
 NOTICE: These drawings and specifications are the proprietary property of COMMSCOPE, INC. and may be used only for the specific purpose authorized in writing by COMMSCOPE, INC.

END A

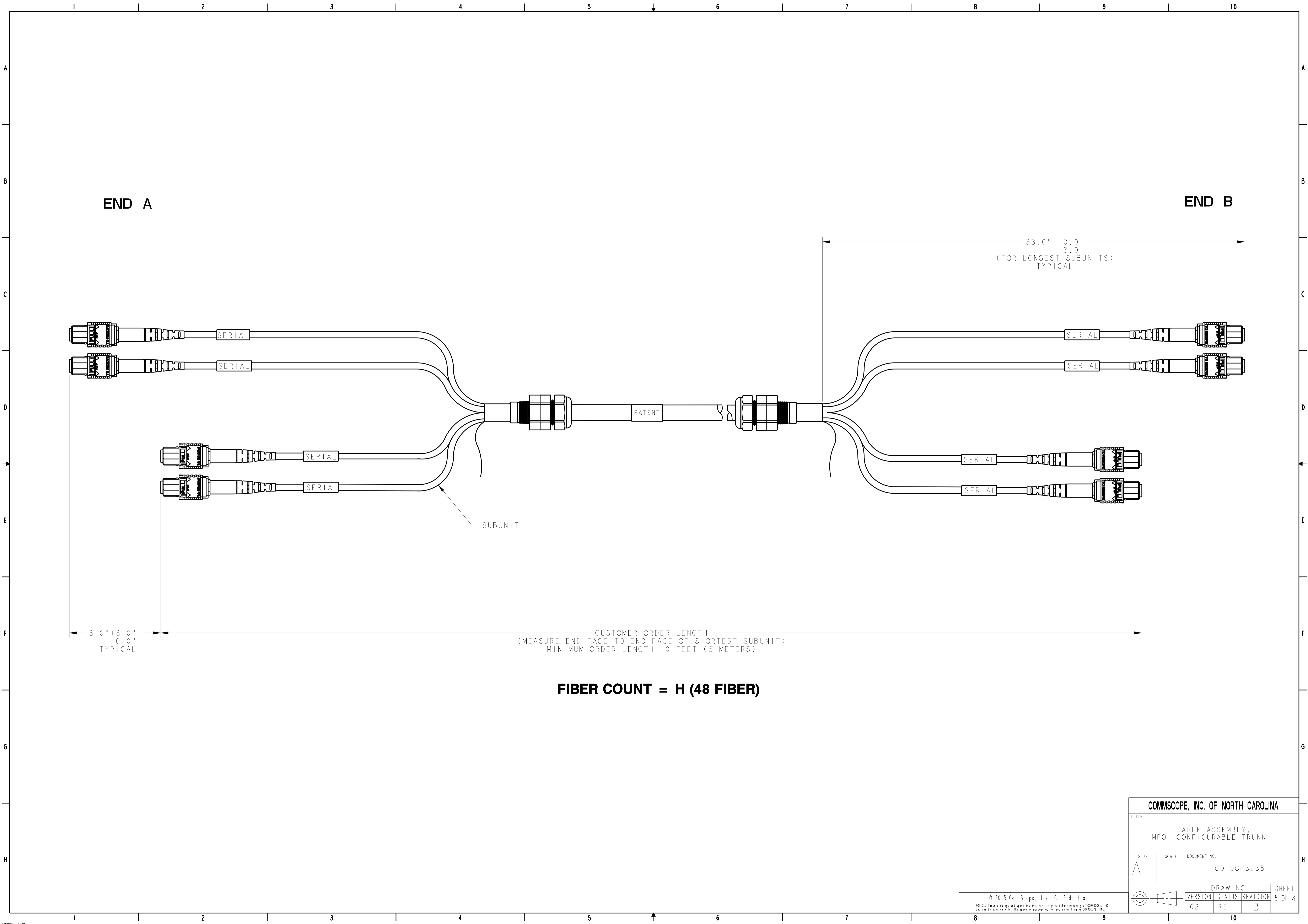
END B



FIBER COUNT = G (36 FIBER)

|   |              |                            |        |
|---|--------------|----------------------------|--------|
| COMMSCOPE, INC. OF NORTH CAROLINA                   |              |                            |        |
| TITLE<br>CABLE ASSEMBLY,<br>MPO, CONFIGURABLE TRUNK |              |                            |        |
| SIZE<br>A1  | SCALE        | DOCUMENT NO.<br>CD100H3235 |        |
| DRAWING   |              |                            | SHEET  |
| VERSION<br>02                                       | STATUS<br>RE | REVISION<br>B              | 4 OF 8 |

© 2015 CommScope, Inc. Confidential  
 NOTICE: These drawings and specifications are the proprietary property of COMMSCOPE, INC. and may be used only for the specific purpose authorized in writing by COMMSCOPE, INC.



END A

END B

33.0" +0.0"  
-3.0"  
(FOR LONGEST SUBUNITS)  
TYPICAL

SUBUNIT

CUSTOMER ORDER LENGTH  
(MEASURE END FACE TO END FACE OF SHORTEST SUBUNIT)  
MINIMUM ORDER LENGTH 10 FEET (3 METERS)

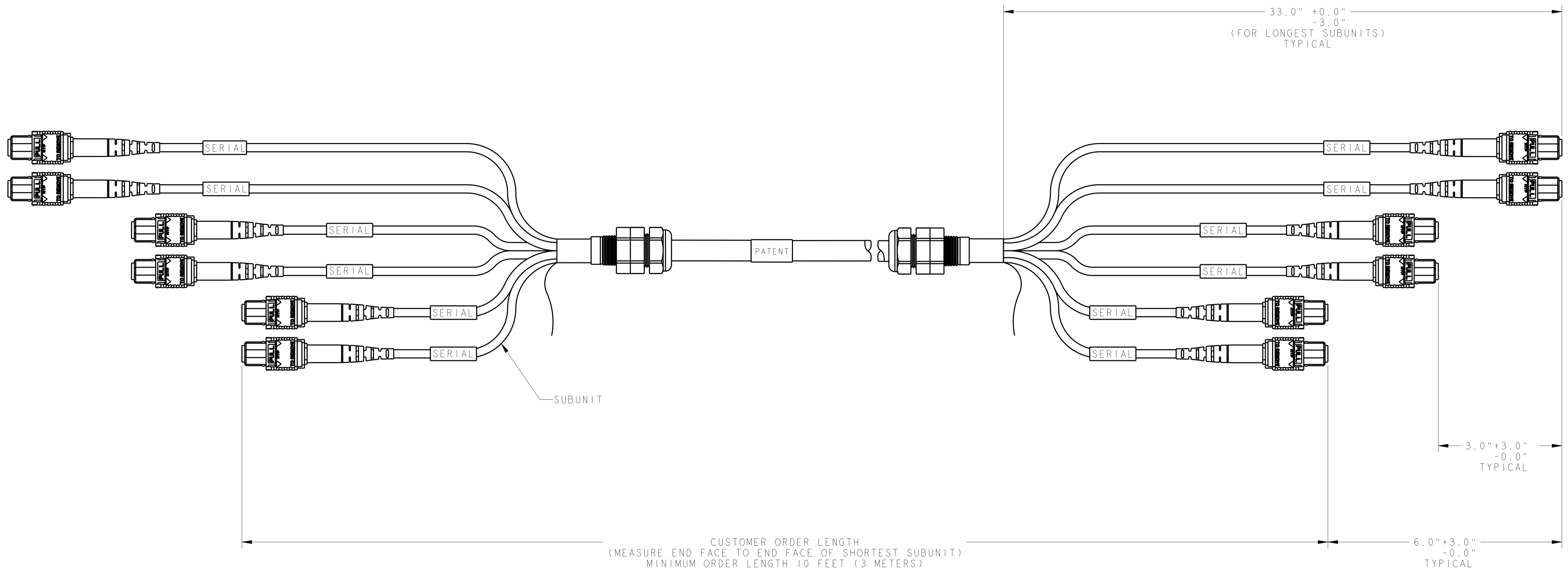
**FIBER COUNT = H (48 FIBER)**

|   |       |                            |                 |
|---|-------|----------------------------|-----------------|
| COMMSCOPE, INC. OF NORTH CAROLINA                   |       |                            |                 |
| TITLE<br>CABLE ASSEMBLY,<br>MPO, CONFIGURABLE TRUNK |       |                            |                 |
| SIZE<br>A1  | SCALE | DOCUMENT NO.<br>CD100H3235 |                 |
| DRAWING<br>VERSION STATUS REVISION                  |       |                            | SHEET<br>5 OF 8 |
| 02 RE B   |       |                            |                 |

© 2015 CommScope, Inc. Confidential  
NOTICE: These drawings and specifications are the proprietary property of COMMSCOPE, INC. and may be used only for the specific purpose authorized in writing by COMMSCOPE, INC.

END A

END B



5.5

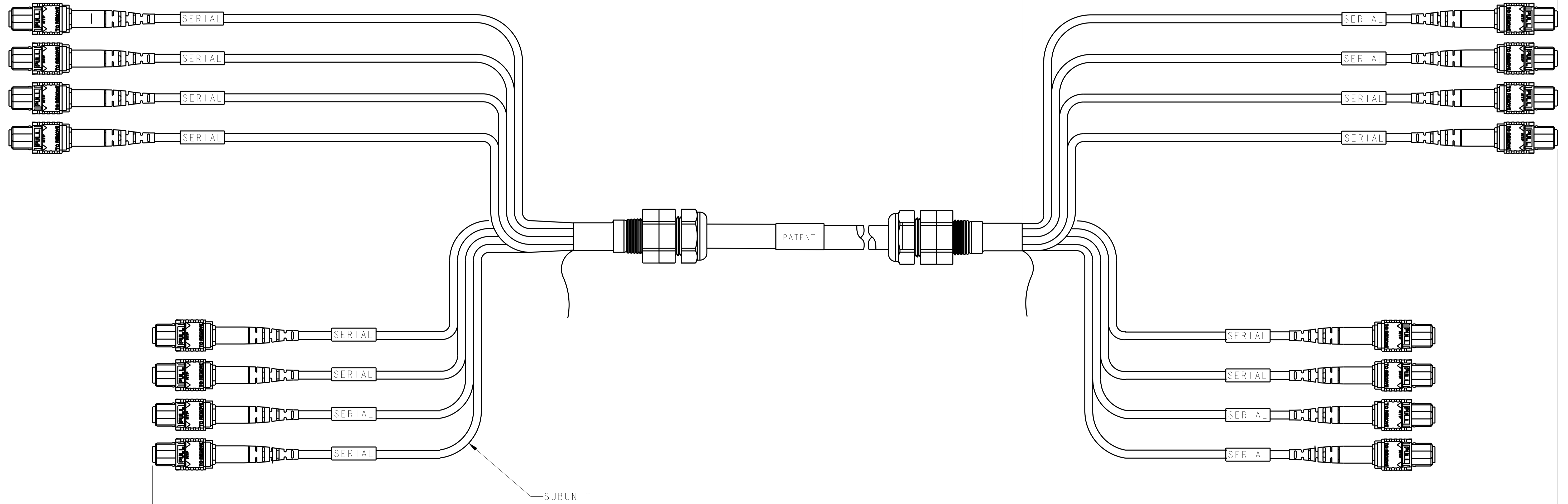
**FIBER COUNT = K (72 FIBER)**

|   |              |                            |        |
|---|--------------|----------------------------|--------|
| COMMSCOPE, INC. OF NORTH CAROLINA                   |              |                            |        |
| TITLE<br>CABLE ASSEMBLY,<br>MPO, CONFIGURABLE TRUNK |              |                            |        |
| SIZE<br>A1  | SCALE        | DOCUMENT NO.<br>CD100H3235 |        |
| DRAWING   |              |                            | SHEET  |
| VERSION<br>02                                       | STATUS<br>RE | REVISION<br>B              | 6 OF 8 |

© 2015 CommScope, Inc. Confidential  
 NOTICE: These drawings and specifications are the proprietary property of COMMSCOPE, INC. and may be used only for the specific purpose authorized in writing by COMMSCOPE, INC.

END A

END B



CUSTOMER ORDER LENGTH  
 (MEASURE END FACE TO END FACE OF SHORTEST SUBUNIT)  
 MINIMUM ORDER LENGTH 10 FEET (3 METERS)

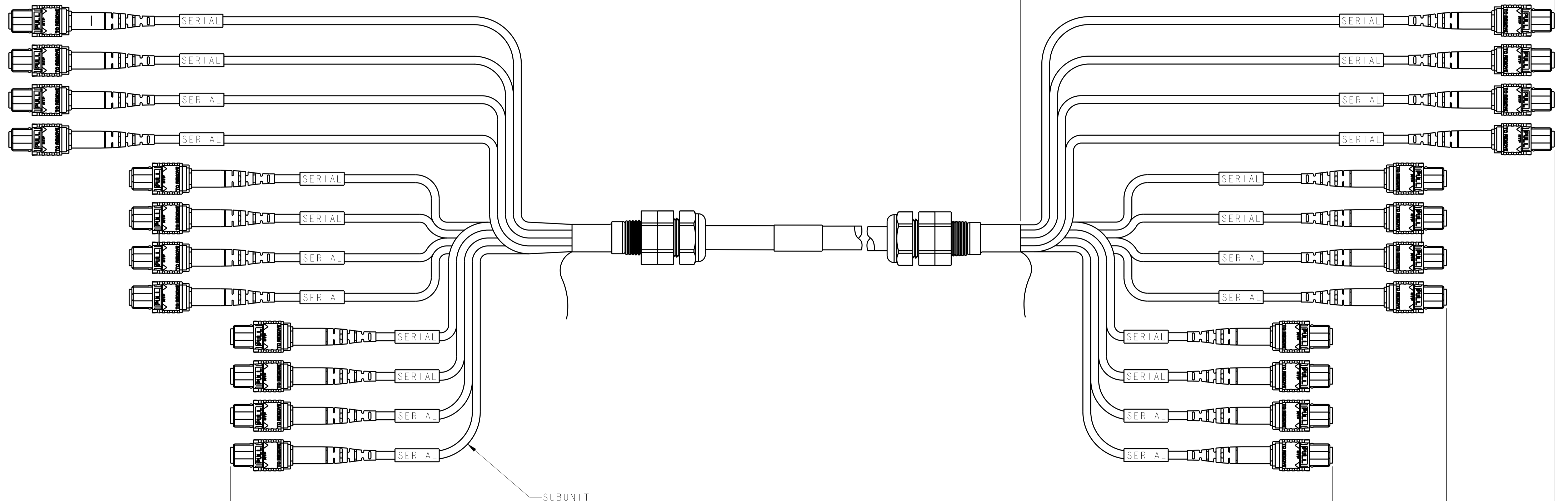
**FIBER COUNT = L (96 FIBER)**

|   |       |                            |                 |
|---|-------|----------------------------|-----------------|
| COMMSCOPE, INC. OF NORTH CAROLINA                   |       |                            |                 |
| TITLE<br>CABLE ASSEMBLY,<br>MPO, CONFIGURABLE TRUNK |       |                            |                 |
| SIZE<br>A1  | SCALE | DOCUMENT NO.<br>CD100H3235 |                 |
| DRAWING<br>VERSION STATUS REVISION                  |       |                            | SHEET<br>7 OF 8 |
| 02 RE B   |       |                            |                 |

© 2015 CommScope, Inc. Confidential  
 NOTICE: These drawings and specifications are the proprietary property of COMMSCOPE, INC. and may be used only for the specific purpose authorized in writing by COMMSCOPE, INC.

END A

END B



33.0" +0.0"  
-3.0"  
TYPICAL

3.0" +3.0"  
-0.0"  
TYPICAL

CUSTOMER ORDER LENGTH  
(MEASURE END FACE TO END FACE OF SHORTEST SUBUNIT)  
MINIMUM ORDER LENGTH 10 FEET (3 METERS)

6.0" +3.0"  
-0.0"  
TYPICAL

**FIBER COUNT = M (144 FIBER)**

|   |       |                            |                 |
|---|-------|----------------------------|-----------------|
| COMMSCOPE, INC. OF NORTH CAROLINA                   |       |                            |                 |
| TITLE<br>CABLE ASSEMBLY,<br>MPO, CONFIGURABLE TRUNK |       |                            |                 |
| SIZE<br>A1  | SCALE | DOCUMENT NO.<br>CD100H3235 |                 |
| DRAWING<br>VERSION STATUS REVISION                  |       |                            | SHEET<br>8 OF 8 |
| 02  | RE    | B                          |                 |

© 2015 CommScope, Inc. Confidential  
NOTICE: These drawings and specifications are the proprietary property of COMMSCOPE, INC. and may be used only for the specific purpose authorized in writing by COMMSCOPE, INC.