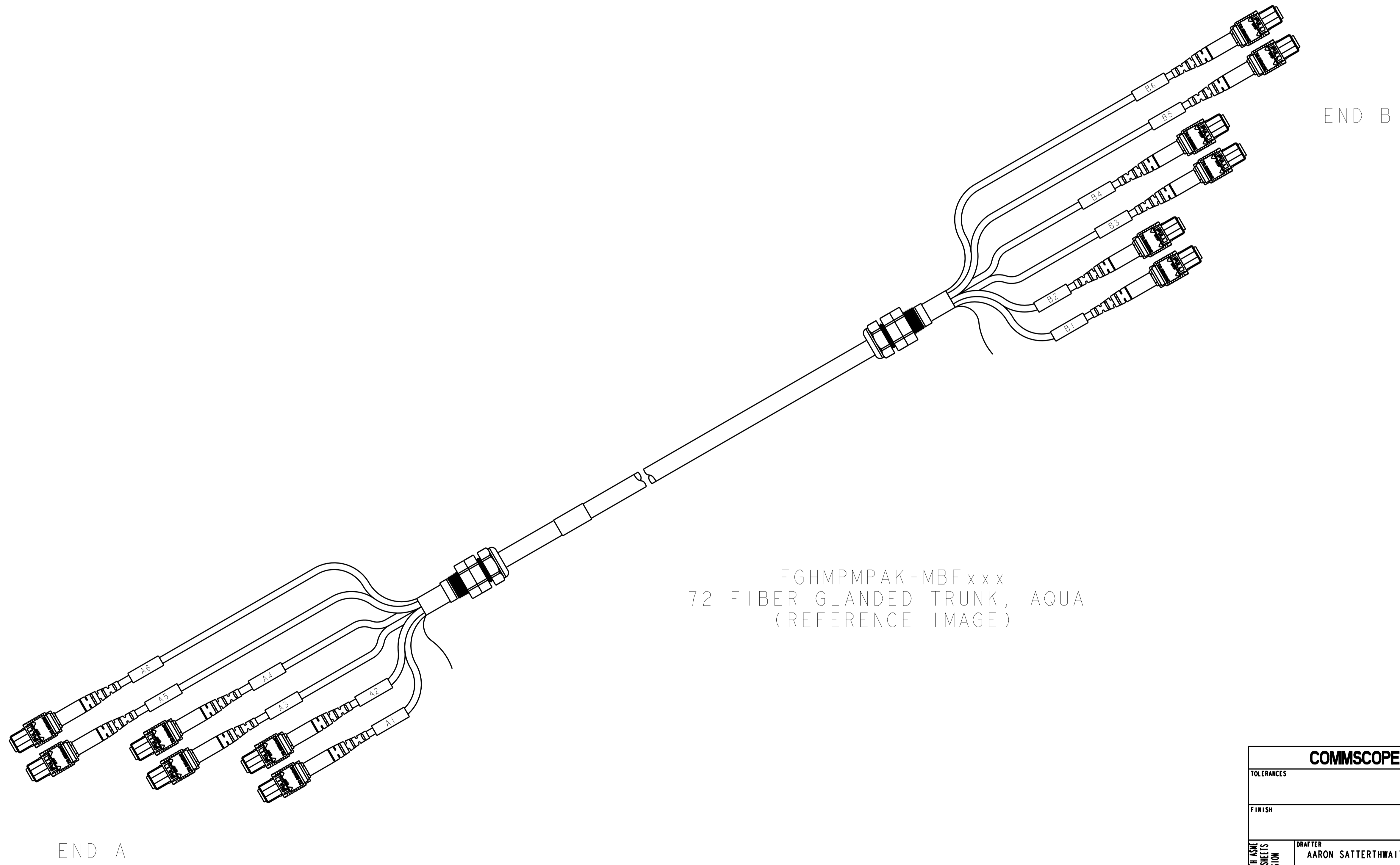


REVISIONS			
REV	DESCRIPTION	DATE	APPROVED
B		18-SEP-2015	

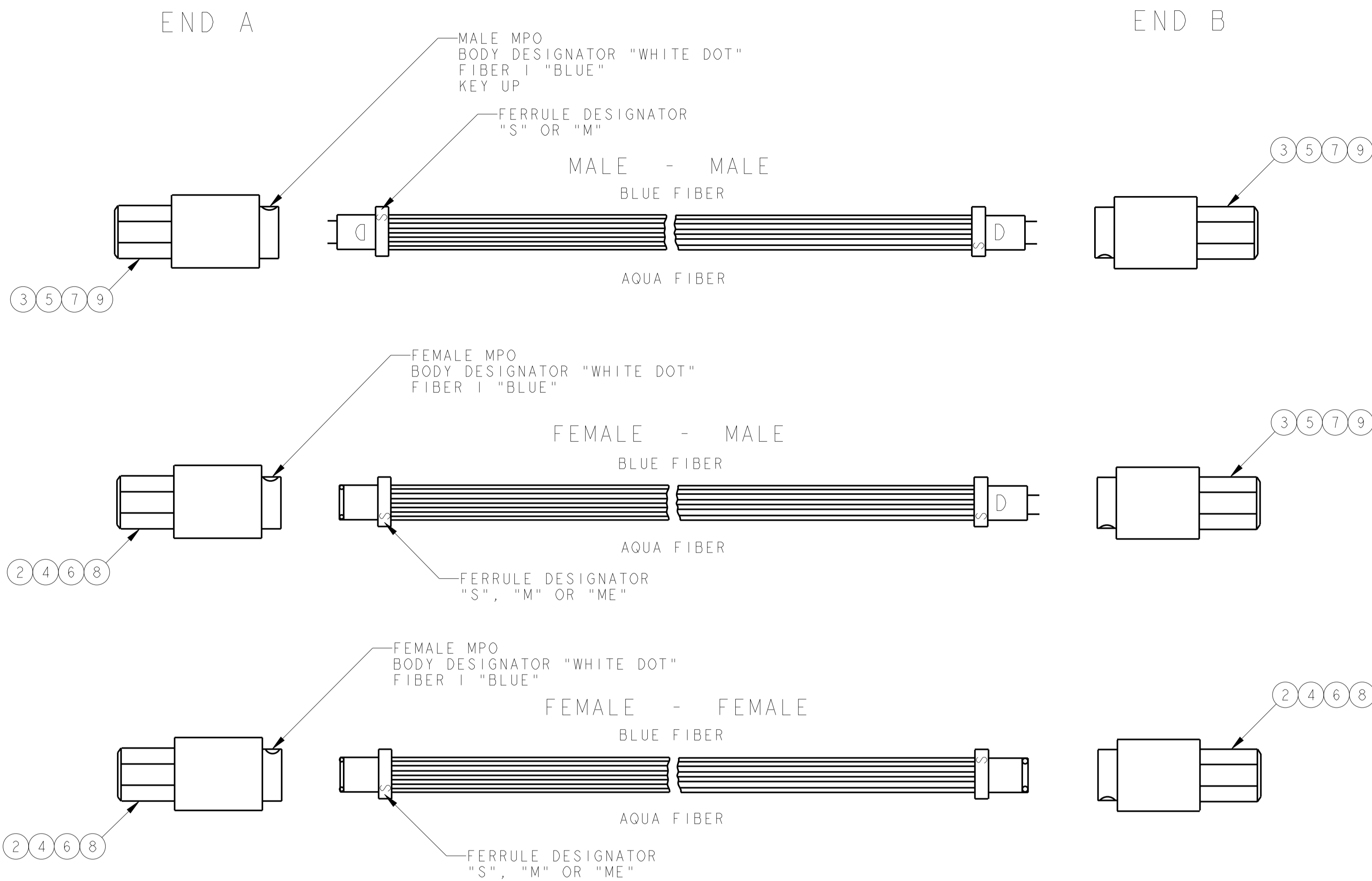
F FIBER	a FAMILY G=TRUNK, PLENUM INSTAPATCH J=TRUNK, LSZH INSTAPATCH Y=TRUNK, PLENUM READYPATCH	b FIBER TYPE H=LAZRSPEED 150 MULTIMODE Z=LAZRSPEED 300 MULTIMODE X=LAZRSPEED 550 MULTIMODE M=OPTISPEED MULTIMODE W=TERASPEED SINGLEMODE U=LAZRSPEED WB 300 V=LAZRSPEED WB 550	cc TERMINATION END A MP=MPO(FEMALE) MX=MPO(MALE)	dd TERMINATION END B MP=MPO(FEMALE) MX=MPO(MALE) UC=UNCONNECTORIZED	e CONSTRUCTION A=12 FIBER PmP D=12 FIBER PmP I/O P=12 FIBER PmP (PVDF)	f FIBER COUNT D= 12 FIBER F= 24 FIBER G= 36 FIBER H= 48 FIBER K= 72 FIBER L= 96 FIBER M=144 FIBER	g COLOR A=BLUE B=ORANGE C=GREEN D=BROWN E=SLATE F=WHITE G=RED H=BLACK J=YELLOW K=VIOLET L=ROSE M=AQUA N=LIME GREEN	h OPTIONS A=NO GLAND B=WITH GLAND C=WITH PULLING EYE	j UNIT OF MEASURE F= FEET M= METER	kkk LENGTH FEET 010 - 999 METERS 003 - 999
-------------------	---	---	---	---	---	--	---	---	---	--



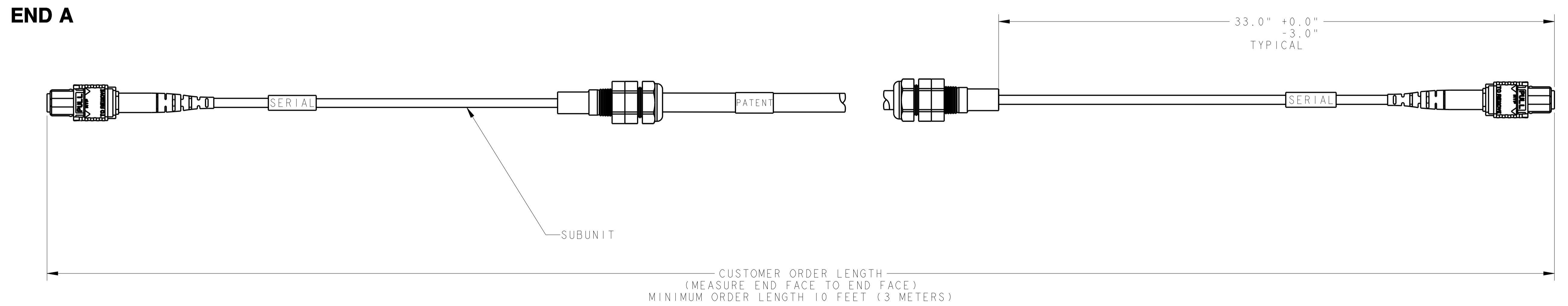
FGHMPMPAK-MBF x x x
72 FIBER GLANDED TRUNK, AQUA
(REFERENCE IMAGE)

COMMScope, INC. OF NORTH CAROLINA												
TOLERANCES						SAP MATERIAL MASTER						
FINISH						MATERIAL						
SYMBOLS AGREE WITH ASME Y14.5M - 2009 - ALL SHEETS ARE THE SAME REVISION AND STATUS.	DRAFTER AARON SATTERTHWAITE			TITLE CABLE ASSEMBLY, MPO, CONFIGURABLE TRUNK								
	CHECKER ISAAC REIDLAND			ENGINEER AARON SATTERTHWAITE			SIZE A1	SCALE	DOCUMENT NO. CD100H3235			
	ECN 800001448			ALL SURFACES			WORK AREA: 52			MODEL		
	✓			⊕			⊖			SHEET 1 OF 8		
VERSION 02			STATUS RE			REVISION B			DRAWING			

© 2015 CommScope, Inc. Confidential
NOTICE: These drawings and specifications are the proprietary property of COMMScope, Inc. and may be used only for the specific purpose authorized in writing by COMMScope, Inc.



POLARITY DETAIL - APPLIES TO ALL FIBER COUNTS



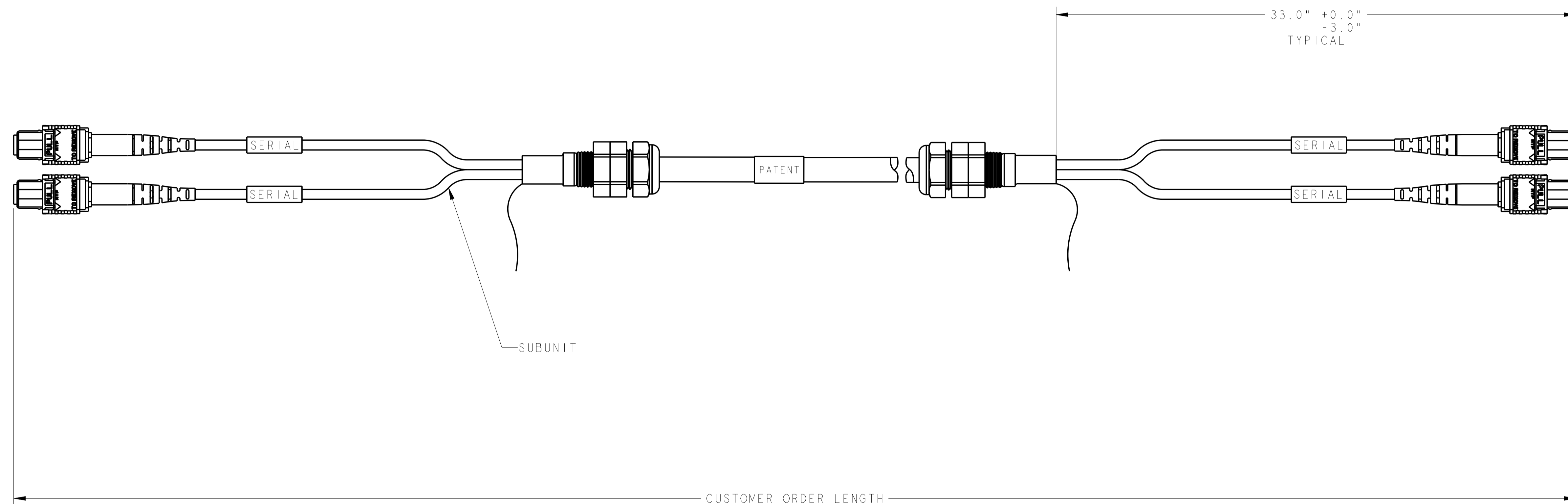
FIBER COUNT = D (12 FIBER)

COMMSCOPE, INC. OF NORTH CAROLINA			
TITLE CABLE ASSEMBLY, MPO, CONFIGURABLE TRUNK			
SIZE A1	SCALE	DOCUMENT NO. CD100H3235	
DRAWING VERSION STATUS REVISION			SHEET 2 OF 8
02 RE B			

© 2015 CommScope, Inc. Confidential
NOTICE: These drawings and specifications are the proprietary property of COMMSCOPE, INC. and may be used only for the specific purpose authorized in writing by COMMSCOPE, INC.

END A

END B



CUSTOMER ORDER LENGTH
(MEASURE END FACE TO END FACE OF SHORTEST SUBUNIT)
MINIMUM ORDER LENGTH 10 FEET (3 METERS)

FIBER COUNT = F (24 FIBER)

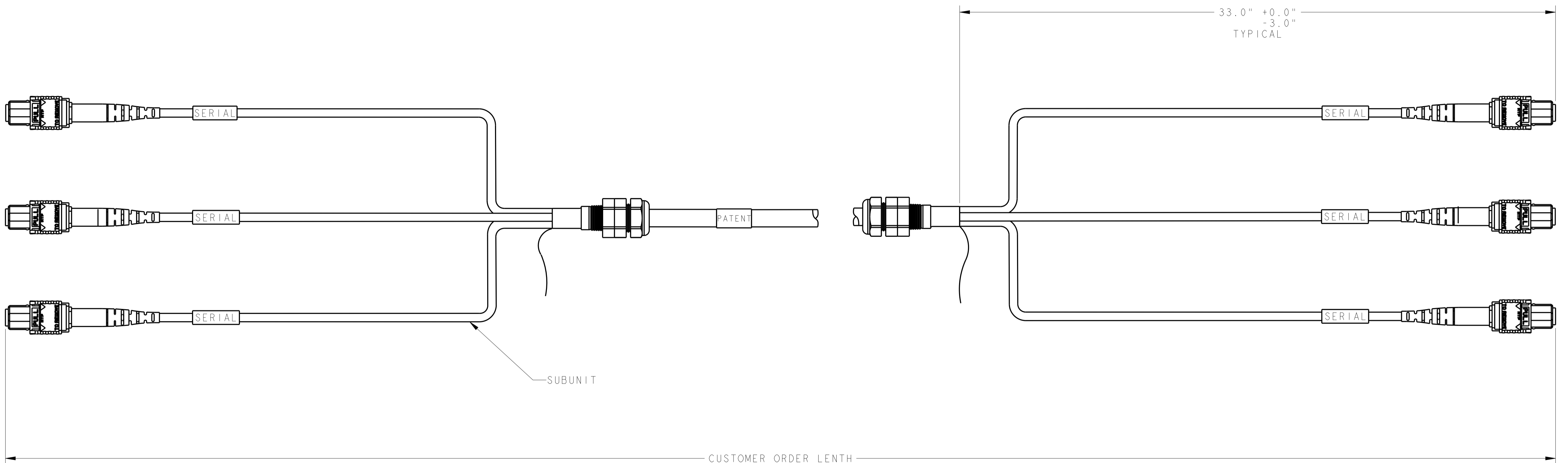
COMMSCOPE, INC. OF NORTH CAROLINA

TITLE			
CABLE ASSEMBLY, MPO, CONFIGURABLE TRUNK			
SIZE	SCALE	DOCUMENT NO.	
A1		CD100H3235	
DRAWING			SHEET
VERSION	STATUS	REVISION	3 OF 8
02	RE	B	

© 2015 CommScope, Inc. Confidential
NOTICE: These drawings and specifications are the proprietary property of COMMSCOPE, INC. and may be used only for the specific purpose authorized in writing by COMMSCOPE, INC.

END A

END B

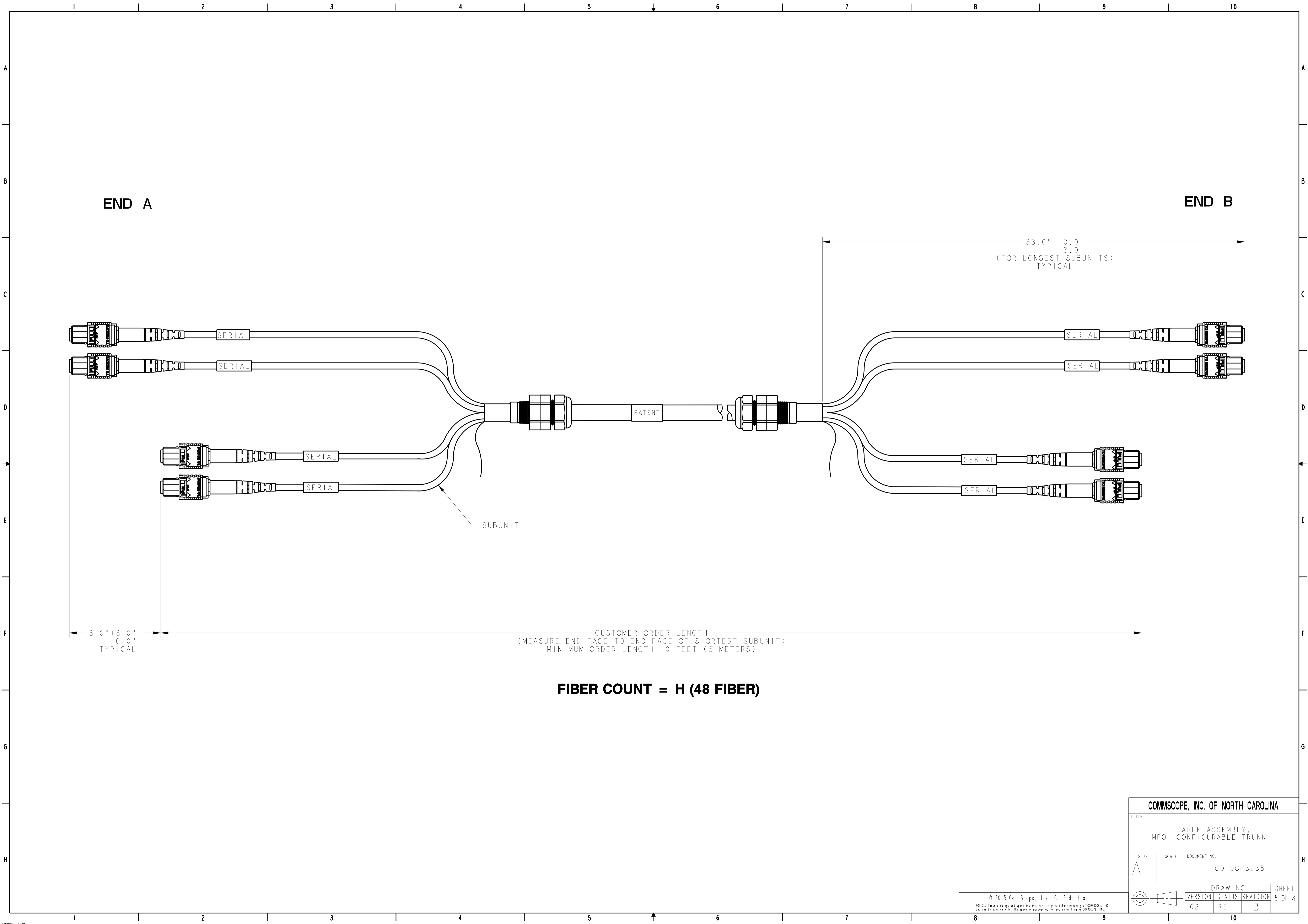


CUSTOMER ORDER LENGTH
 (MEASURE END FACE TO END FACE)
 MINIMUM ORDER LENGTH 10 FEET (3 METERS)

FIBER COUNT = G (36 FIBER)

COMMSCOPE, INC. OF NORTH CAROLINA				
TITLE CABLE ASSEMBLY, MPO, CONFIGURABLE TRUNK				
SIZE A1	SCALE	DOCUMENT NO. CD100H3235		
DRAWING				SHEET
VERSION 02	STATUS RE	REVISION B	4 OF 8	

© 2015 CommScope, Inc. Confidential
 NOTICE: These drawings and specifications are the proprietary property of COMMSCOPE, INC. and may be used only for the specific purpose authorized in writing by COMMSCOPE, INC.



END A

END B

33.0" +0.0"
-3.0"
(FOR LONGEST SUBUNITS)
TYPICAL

SUBUNIT

PATENT

SERIAL

SERIAL

SERIAL

SERIAL

SERIAL

SERIAL

SERIAL

SERIAL

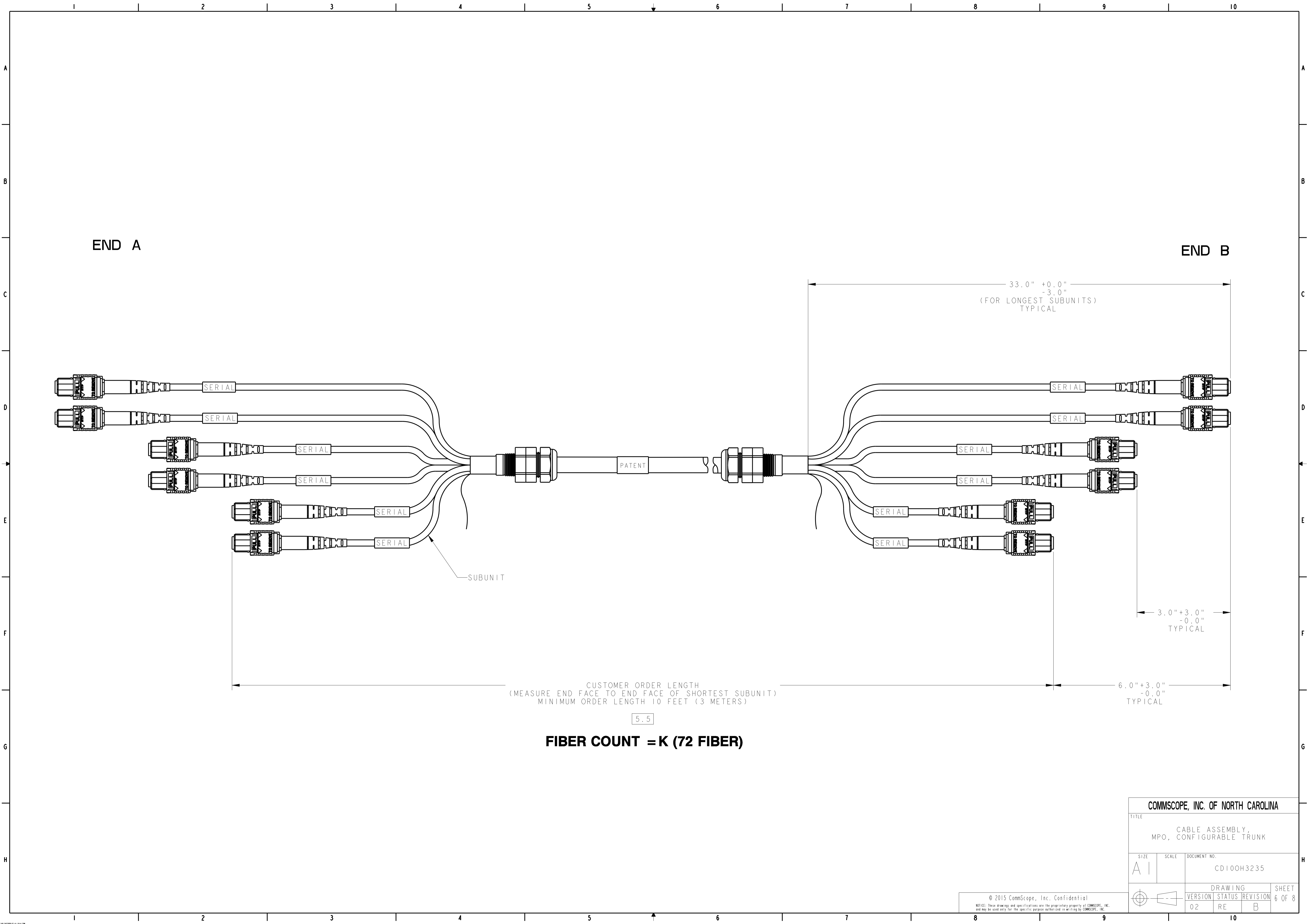
3.0" +3.0"
-0.0"
TYPICAL

CUSTOMER ORDER LENGTH
(MEASURE END FACE TO END FACE OF SHORTEST SUBUNIT)
MINIMUM ORDER LENGTH 10 FEET (3 METERS)

FIBER COUNT = H (48 FIBER)

COMMSCOPE, INC. OF NORTH CAROLINA			
TITLE CABLE ASSEMBLY, MPO, CONFIGURABLE TRUNK			
SIZE A1	SCALE	DOCUMENT NO. CD100H3235	
DRAWING			SHEET
VERSION 02	STATUS RE	REVISION B	5 OF 8

© 2015 CommScope, Inc. Confidential
NOTICE: These drawings and specifications are the proprietary property of COMMSCOPE, INC. and may be used only for the specific purpose authorized in writing by COMMSCOPE, INC.



END A

END B

33.0" +0.0"
-3.0"
(FOR LONGEST SUBUNITS)
TYPICAL

SUBUNIT

CUSTOMER ORDER LENGTH
(MEASURE END FACE TO END FACE OF SHORTEST SUBUNIT)
MINIMUM ORDER LENGTH 10 FEET (3 METERS)

5.5

FIBER COUNT = K (72 FIBER)

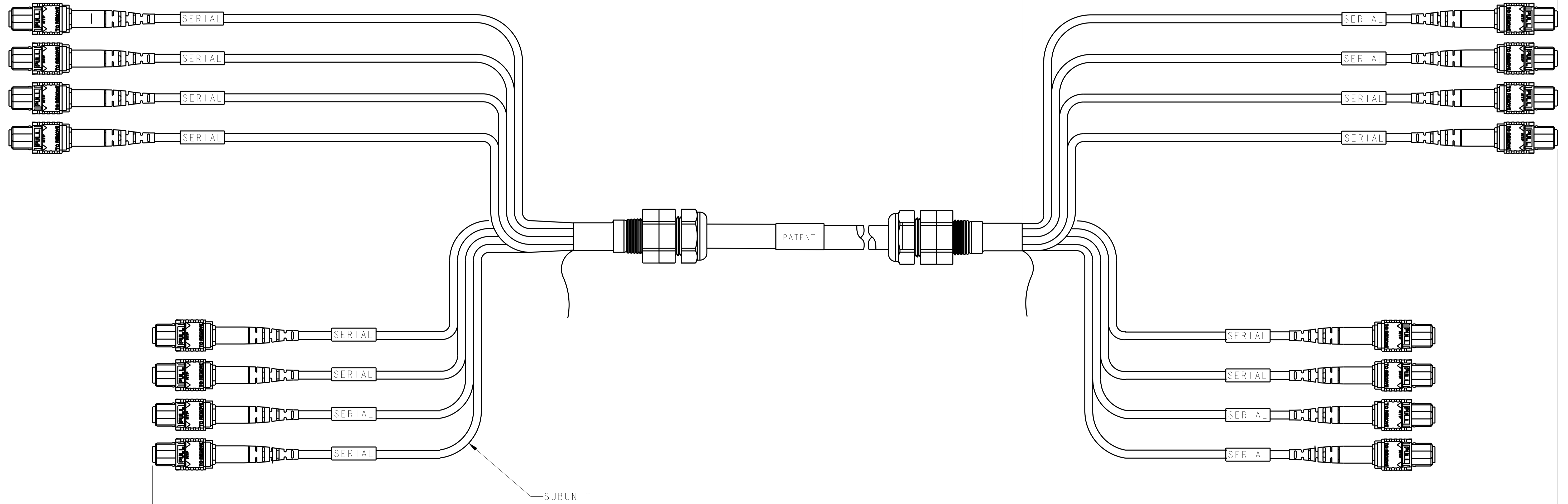
COMMSCOPE, INC. OF NORTH CAROLINA

TITLE			
CABLE ASSEMBLY, MPO, CONFIGURABLE TRUNK			
SIZE	SCALE	DOCUMENT NO.	
A1		CD100H3235	
DRAWING			SHEET
VERSION	STATUS	REVISION	6 OF 8
02	RE	B	

© 2015 CommScope, Inc. Confidential
NOTICE: These drawings and specifications are the proprietary property of COMMSCOPE, INC. and may be used only for the specific purpose authorized in writing by COMMSCOPE, INC.

END A

END B



CUSTOMER ORDER LENGTH
 (MEASURE END FACE TO END FACE OF SHORTEST SUBUNIT)
 MINIMUM ORDER LENGTH 10 FEET (3 METERS)

3.0" +3.0" / -0.0" TYPICAL

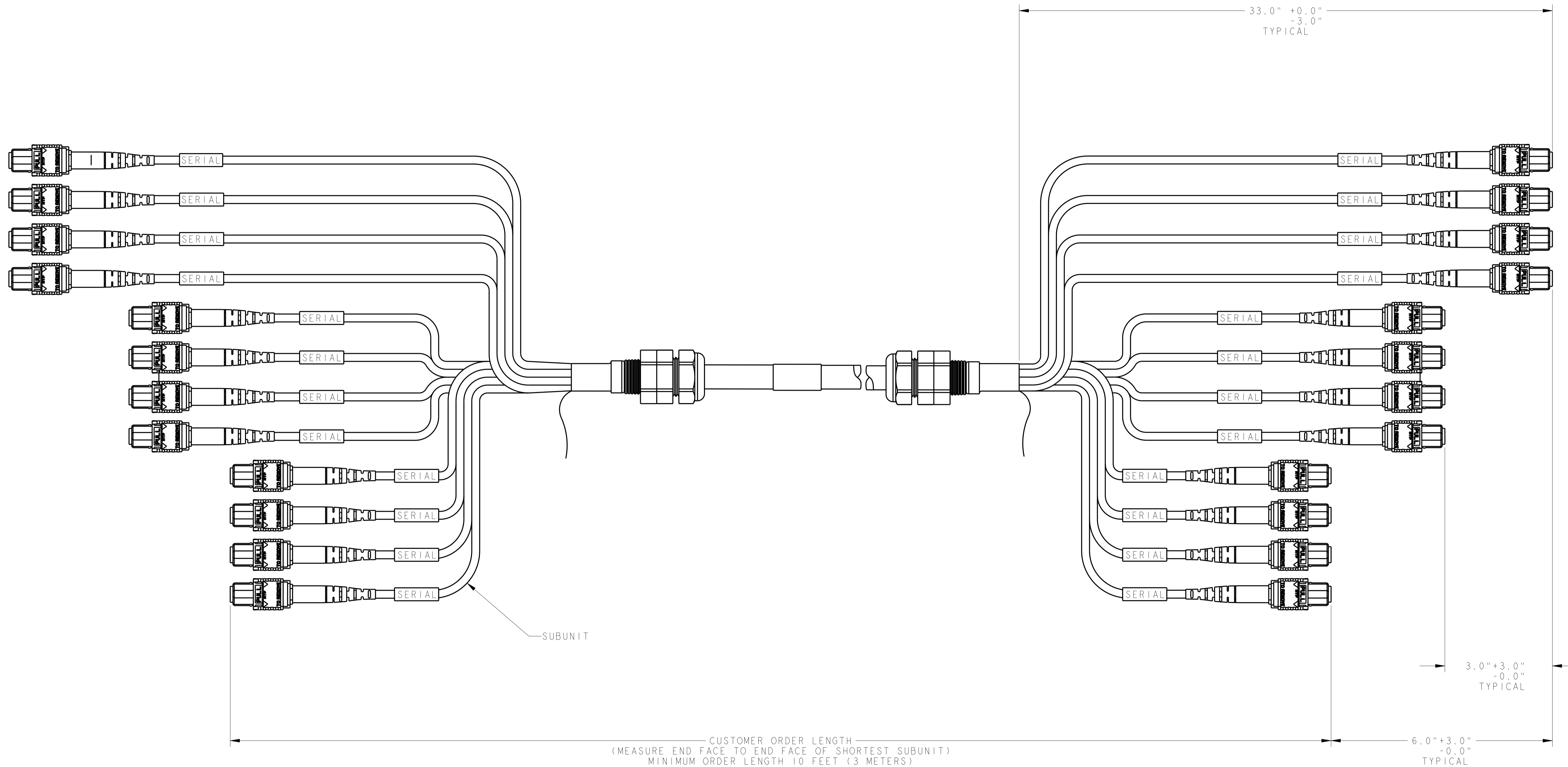
FIBER COUNT = L (96 FIBER)

COMMSCOPE, INC. OF NORTH CAROLINA			
TITLE CABLE ASSEMBLY, MPO, CONFIGURABLE TRUNK			
SIZE A1	SCALE	DOCUMENT NO. CD100H3235	
DRAWING VERSION STATUS REVISION			SHEET 7 OF 8
02	RE	B	

© 2015 CommScope, Inc. Confidential
 NOTICE: These drawings and specifications are the proprietary property of COMMSCOPE, INC. and may be used only for the specific purpose authorized in writing by COMMSCOPE, INC.

END A

END B



FIBER COUNT = M (144 FIBER)

COMMSCOPE, INC. OF NORTH CAROLINA			
TITLE CABLE ASSEMBLY, MPO, CONFIGURABLE TRUNK			
SIZE A1	SCALE	DOCUMENT NO. CD100H3235	
DRAWING VERSION STATUS REVISION			SHEET 8 OF 8
02	RE	B	

© 2015 CommScope, Inc. Confidential
 NOTICE: These drawings and specifications are the proprietary property of COMMSCOPE, INC. and may be used only for the specific purpose authorized in writing by COMMSCOPE, INC.