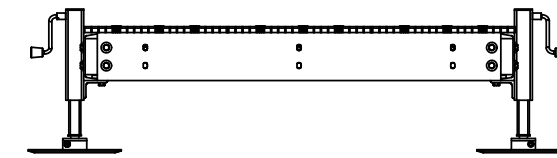
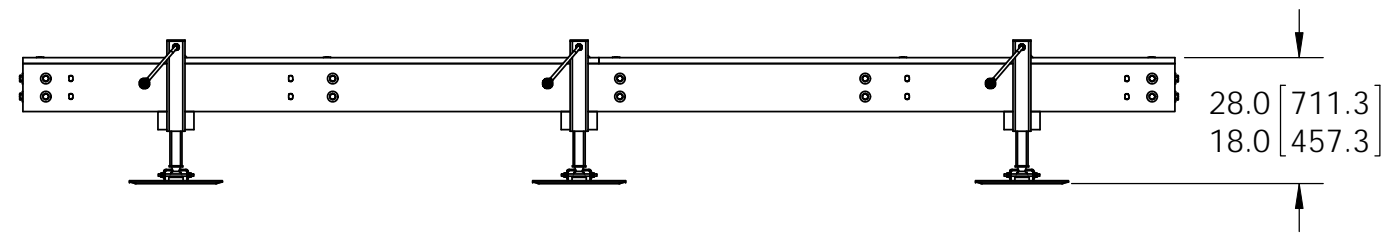
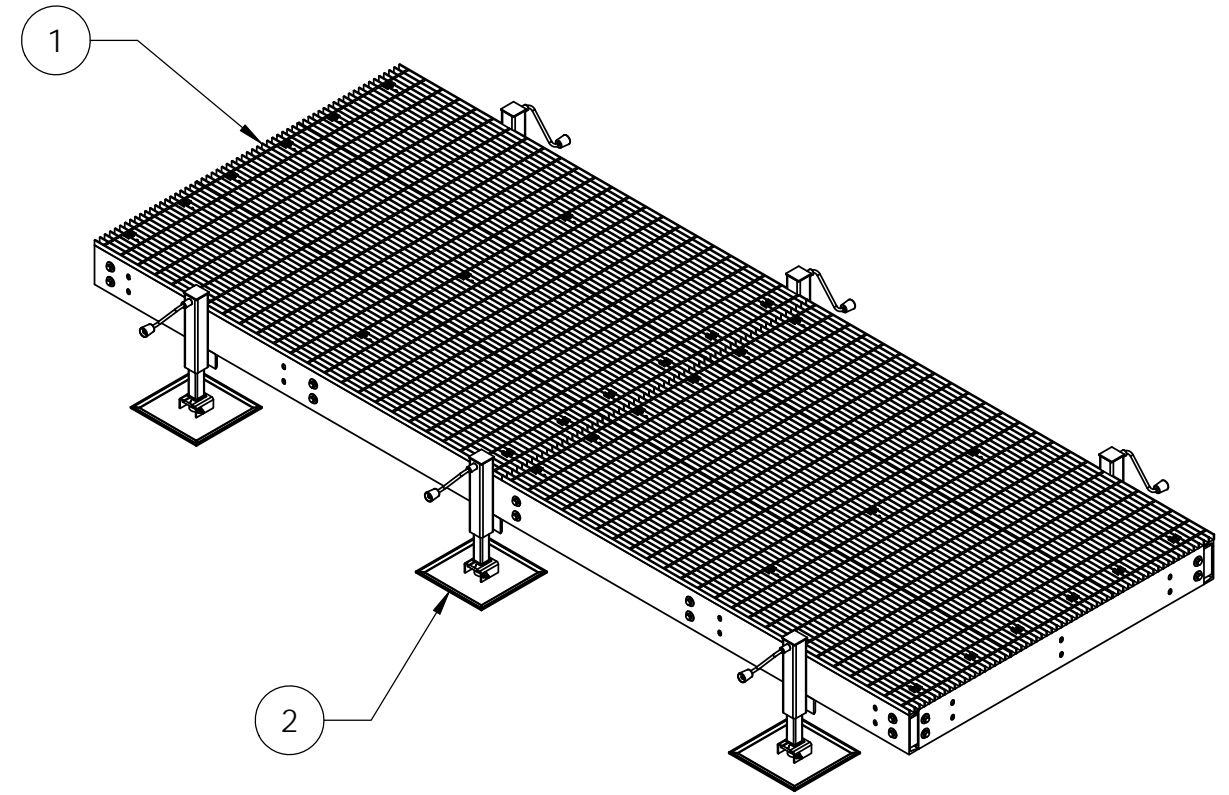
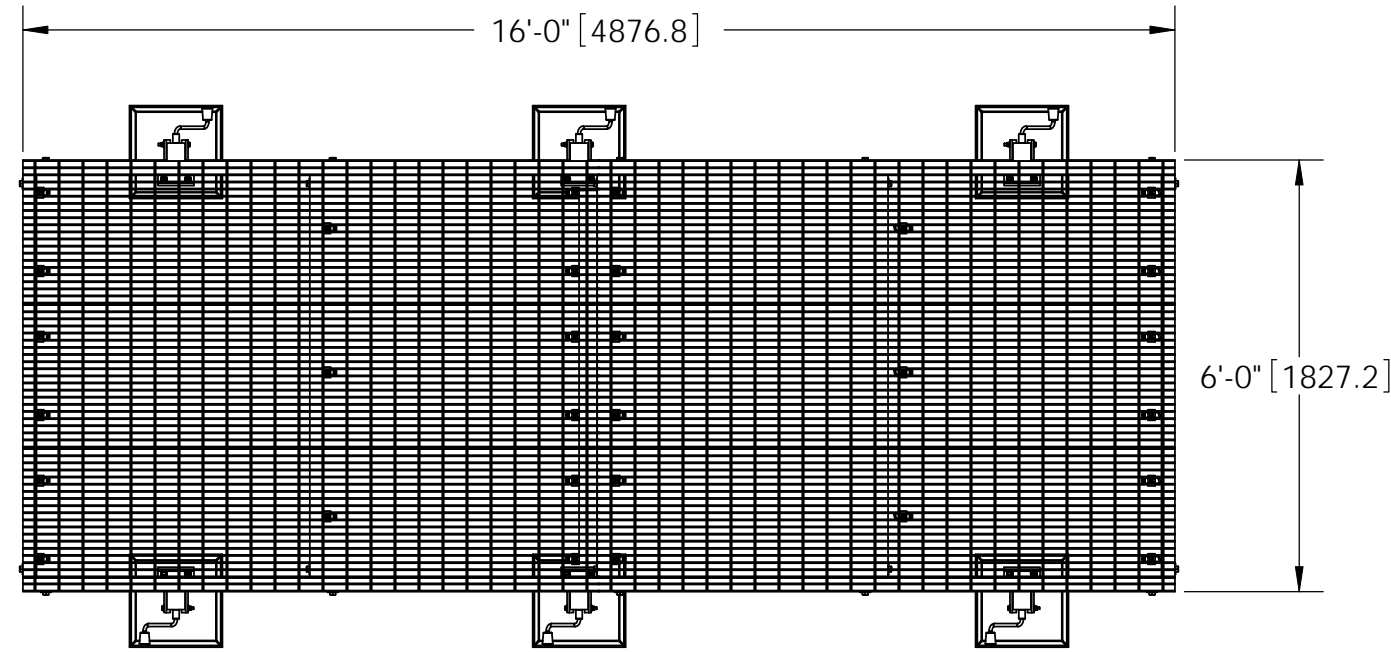


ITEM	PART NO.	DESCRIPTION	QTY.	WEIGHT
1	EQ-P0616-B	6' X 16' PLATFORM	1	1493.67 LBS
2	EQ-P-AL	ADJUSTABLE LEG KIT FOR EQ-P SERIES	6	56 LBS

REVISIONS				
REV.	ZONE	DESCRIPTION	BY	DATE
A		INITIAL RELEASE	DRR	04/04/12



NOTES:
 1. ALL METRIC DIMENSIONS ARE IN BRACKETS.

<small>These drawings and specifications are the proprietary property of CommScope Inc. and may be used only for the specific purpose authorized in writing by CommScope Inc.</small>		DRAWN BY: DRR CHECKED BY: TP DATE: 04/04/12 REVISION: A	SHEET: 1 of 1 SCALE: NTS MATERIAL: A36, A568 FINISH: GALV A123 WEIGHT: 1829.67 LBS	PART NUMBER: EQ-P0616-AL DESCRIPTION: 6 X 16 EQUIPMENT PLATFORM W/6 LEGS DRAWING TYPE: ASSEMBLY DRAWING COMMSCOPE® Hickory, NC 28602 U.S.A.
<small>ALL DIMENSIONS ARE IN INCHES U.O.S. TOLERANCES UNLESS OTHERWISE SPECIFIED: .X = ± .12 ANGLES ±2° .XX = ± .06 FRACTIONS ±1/32 .XXX = ± .031 REMOVE BURRS AND BREAK EDGES .005 DO NOT SCALE THIS PRINT</small>				