

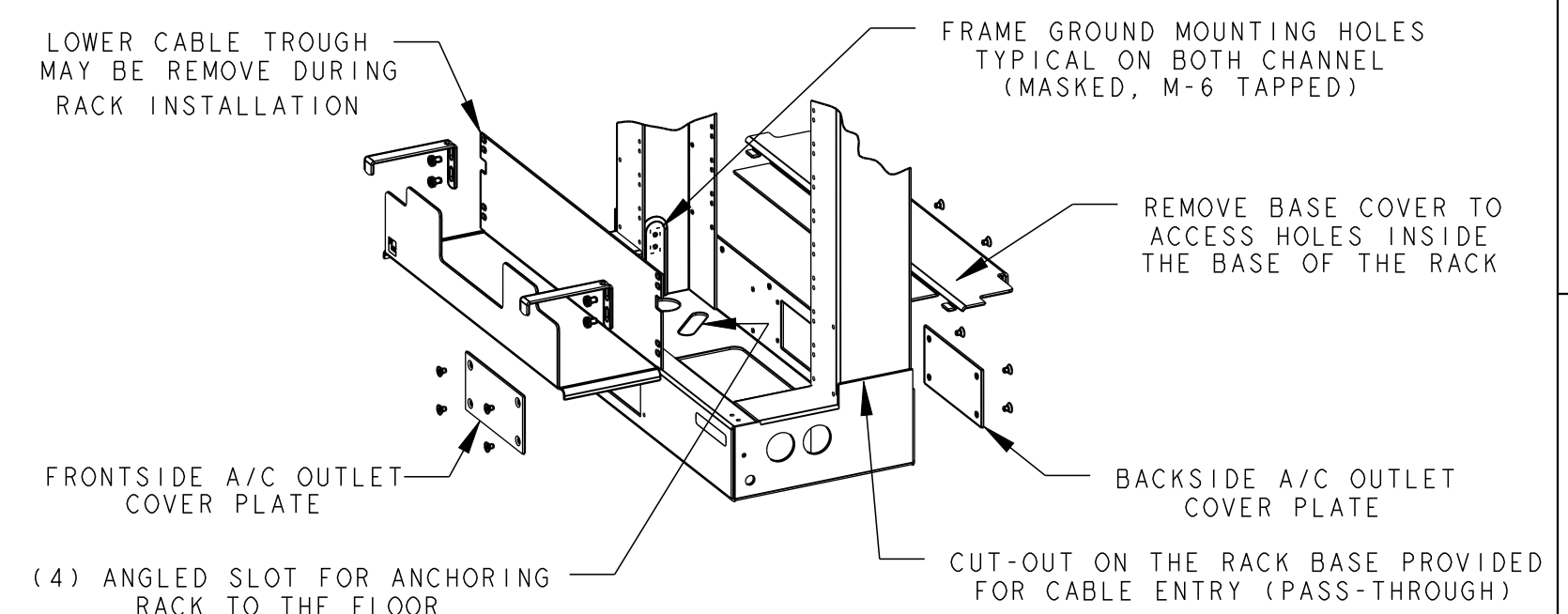
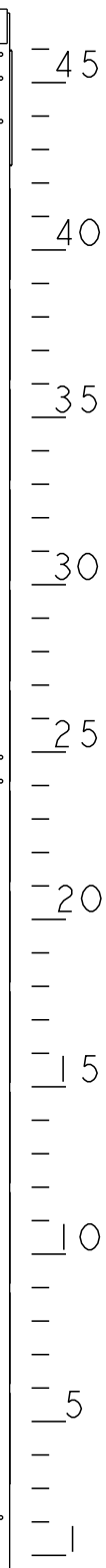
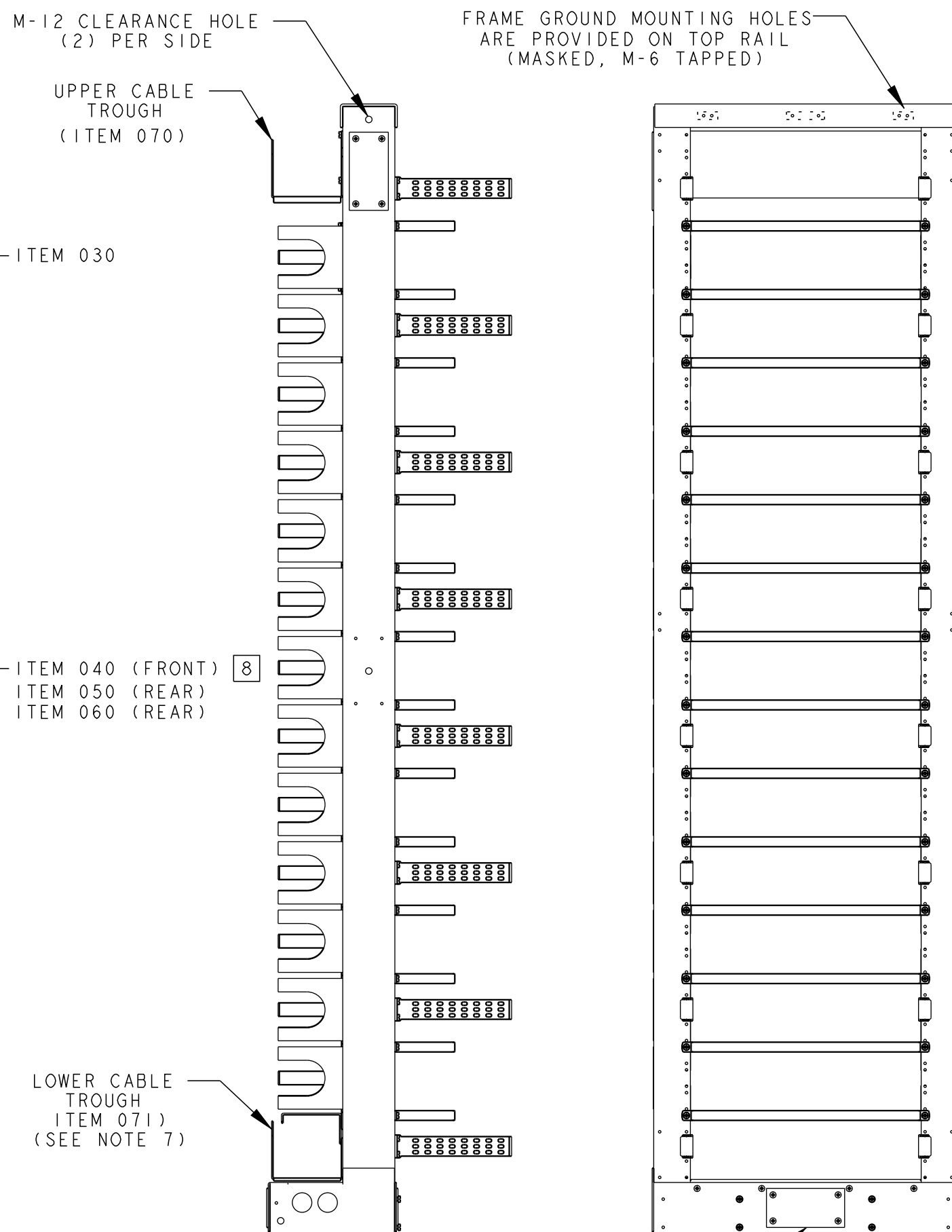
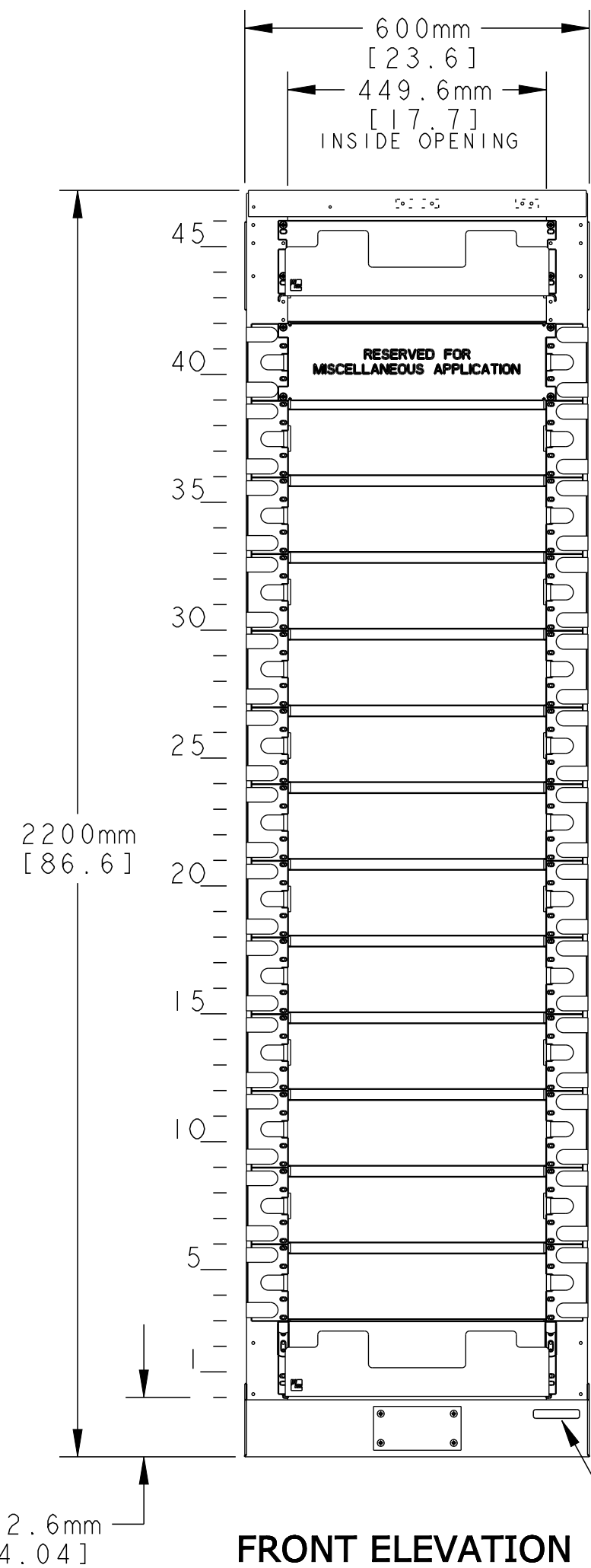
ITEM	DESCRIPTION	CATALOG	QTY
010	600mm WIDW X 2200.00mm HIGH RACK FRAME ASSEMBLY 46 RACK SPACE AT 44.45mm (1.75") SPACINGS	RAC-MC2200	1
030	133.35mm HIGH BLANK PANEL	AUX-BPP5219M	1
040	VERTICAL X-CONNECT WIRING DUCT (PUTTY) (65.02mm WIDE X 125.98mm DEEP)	AUX-XCD001	26
050	227.58mm LONG CABLE SUPPORT BAR (PUTTY)	AUX-CB9001	16
060	116.84mm DEEP CABLE SUPPORT BRACKET (PUTTY)	AUX-HB1946	14
070	UPPER HORIZONTAL CABLE TROUGH (PUTTY) (133.35MM HIGH X 138.68mm DEEP)	----	1
071	HORIZONTAL CABLE TROUGH (PUTTY) (133.35mm HIGH X 138.68mm DEEP)	----	1
072	CABLE RETAINERS FOR LOWER TROUGH (PUTTY)	AUX-0XCRB5	2
091	1/2-AMP, GMT TYPE FUSE (RED)	F-1/2	13
092	RACK GROUNDING KIT	RAC-MX0617	1
093	6500mm RACK FLOOR TEMPLATE DRAWING	----	1
094	600mm X 300mm RACK INSULATOR PAD	AUX-0X1029	1
095	BAY LINE-UP INSTALLATION REFERENCE DRAWING	----	1

ADC NOTES:

- USE M-6 RACK SCREWS TO MOUNT ITEMS ON THE RACK UNLESS OTHERWISE SPECIFIED.
- A COPY OF THIS DRAWING IS INCLUDED WITH THE BAY. SHIP ITEM 091 THROUGH 099 WITH THE BAY.
- MOUNT (4) RACK GROUND POST TERMINAL ON THE INSIDE SURFACE (4) ON EACH CHANNEL (2) ON TOP AND (2) ON BOTTOM APPLY NO-OX GEL (ITEM 101) ON ANY EXPLODED METAL.
- MOUNT WIRING DUCT ON THE FRONT, CABLE SUPPORT BARS AND BRACKETS ON THE BACK AS SHOWN.
- CUSTOMER WIRING NOTES, TABLE AND DETAILS ARE FOR CUSTOMER USE ONLY.
- MOUNT REAR SUPPORT BRACKET (ITEM 013) ON THE BASE AS SHOWN ON SHEET 2. PLACE LABEL (ITEM 012) PRINTED "REMOVE/DISCARD" ON BRACKET (ITEM 013).
- USE ITEM 071 & 072 TO CREATE LOWER CABLE TROUGH
- SEE PAGE 2 FOR ASSEMBLY DETAIL.

CUSTOMER REFERENCE NOTES:

- THIS CONFIGURATION IS SPACED FOR 5.25" HIGH MODULES. BOTH FRONT AND BACK CABLING MANagements ARE PROVIDED.
- GMT TYPE FUSES OF THE PROPER AMPERAGE ARE REQUIRED TO REPLACE "DUMMY" FUSES IN THE FUSE PANEL TO ACTIVATE MODULES. SEE WIRING NOTES FOR ADC STANDARD WIRING, AND WIRING TABLE FOR TERMINAL CONNECTIONS AND FUSE POSITIONS. CONNECT POWER TO THE FUSE PANEL BEFORE REPLACING FUSES.
- NEVER INSTALL TELEPHONE EQUIPMENT IN A WET LOCATION OR DURING A LIGHTNING OR ELECTRICAL STORM. WHEN INSTALLING OR MODIFYING TELEPHONE LINES, DISCONNECT LINES AT THE NETWORK INTERFACE BEFORE WORKING WITH UNINSULATED LINES OR TERMINALS.
- CONNECT OFFICE FRAME GROUND TO THE RACK USING THE PROPER GAUGE WIRE AND THE APPROPRIATE LUG CONNECTOR. REFER TO YOUR OFFICE GROUNDING REQUIREMENT MANUAL.
- PEEL-OFF RACK MASKING WHEN ATTACHING GROUND LUG ON THE RACK. METAL TO METAL CONTACT IS REQUIRED TO ACHIEVE PROPER GROUNDING. ALWAYS APPLY NO-OX GEL ON ANY EXPLODED/UNPAINTED METAL.
- IT IS RECOMMENDED TO MOUNT MODULE POSITION 1 ON THE TOP, BELOW THE BLANK PANEL WHEN EQUIPMENT CABLE ENTERS THROUGH THE FLOOR. FOR OVER-HEAD CABLE ENTRY, START MODULE POSITION 1 AT THE BOTTOM, ABOVE THE LOWER CABLE TROUGH.



BASE DETAIL

IBF-RSC021
CATALOG NUMBER

© 2016 COMMSCOPE, INC. CONFIDENTIAL NOTICE: THESE DRAWINGS AND SPECIFICATIONS ARE THE PROPRIETARY PROPERTY OF COMMSCOPE, INC. AND MAY BE USED ONLY FOR THE SPECIFIC PURPOSE AUTHORIZED IN WRITING BY COMMSCOPE, INC.		TITLE DSX SKELETON BAY FRONT X-CONNECT	
ALL DIMS AND TOLERANCES ARE INCHES UNLESS OTHERWISE SPECIFIED	.XX:±N/A .XXX:±N/A ANGULAR:±N/A	C SIZE DRAWING NUMBER 660000502	A REV
DO NOT SCALE DRAWING	ENGR: P. SALAZAR DWN: P. SALAZAR	SHT. 1 OF 2	

COMMSCOPE, INC.

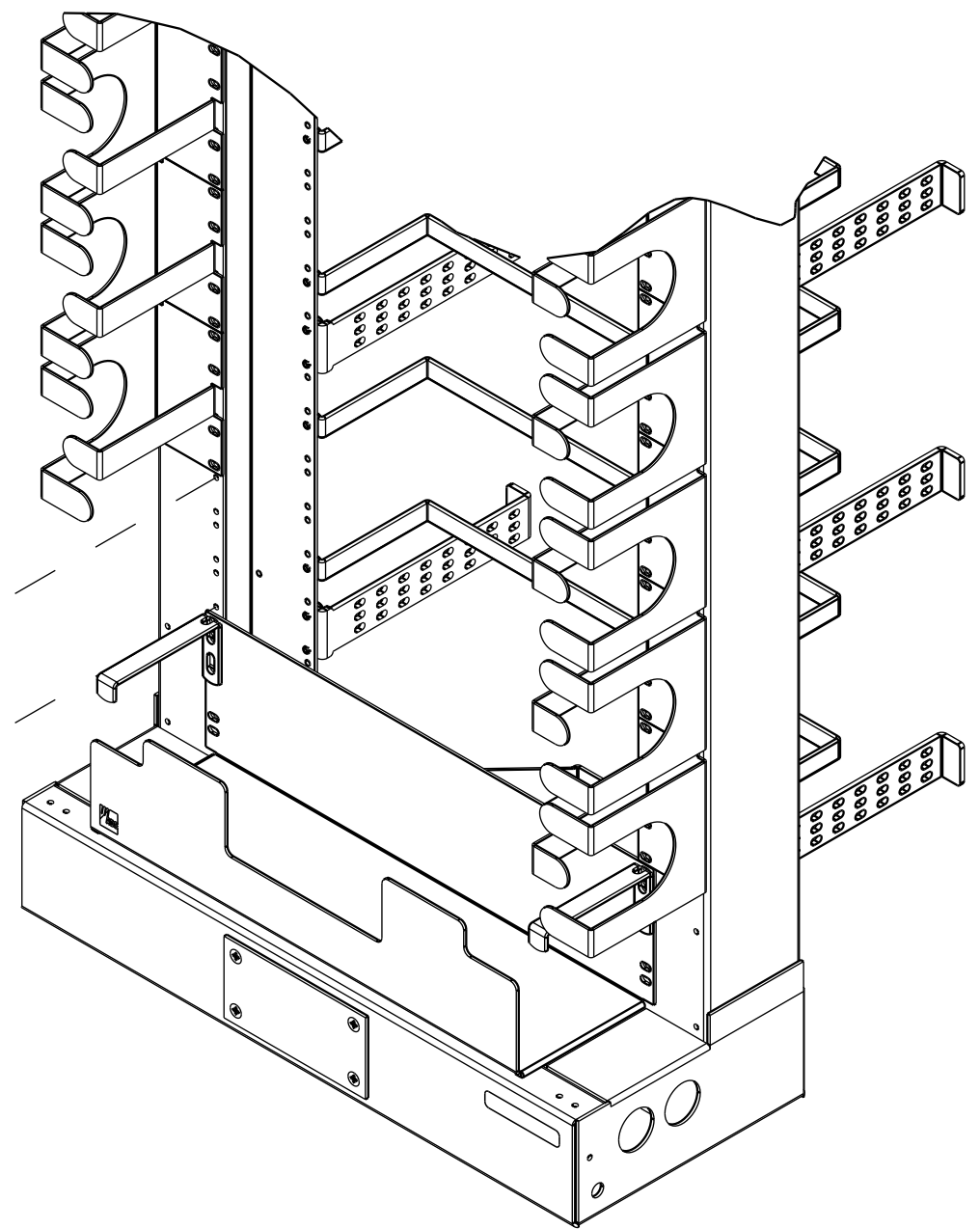
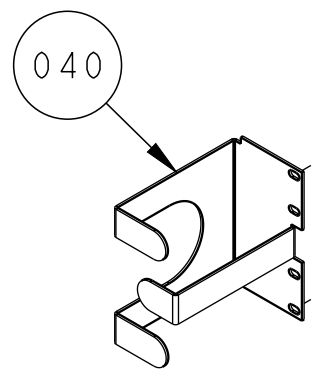
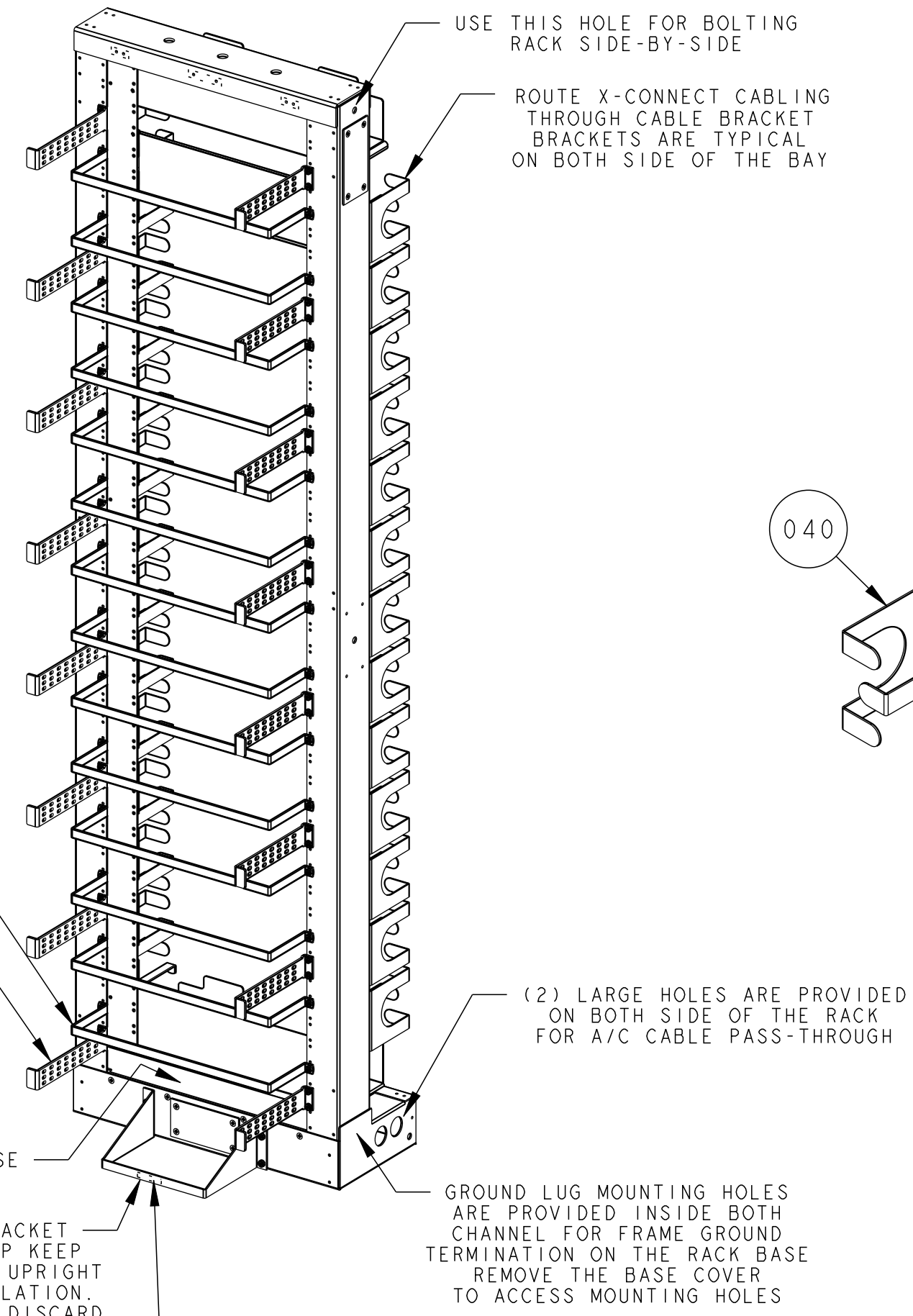
DIMENSIONS IN INCHES
THIRD ANGLE PROJECTION

A

B

C

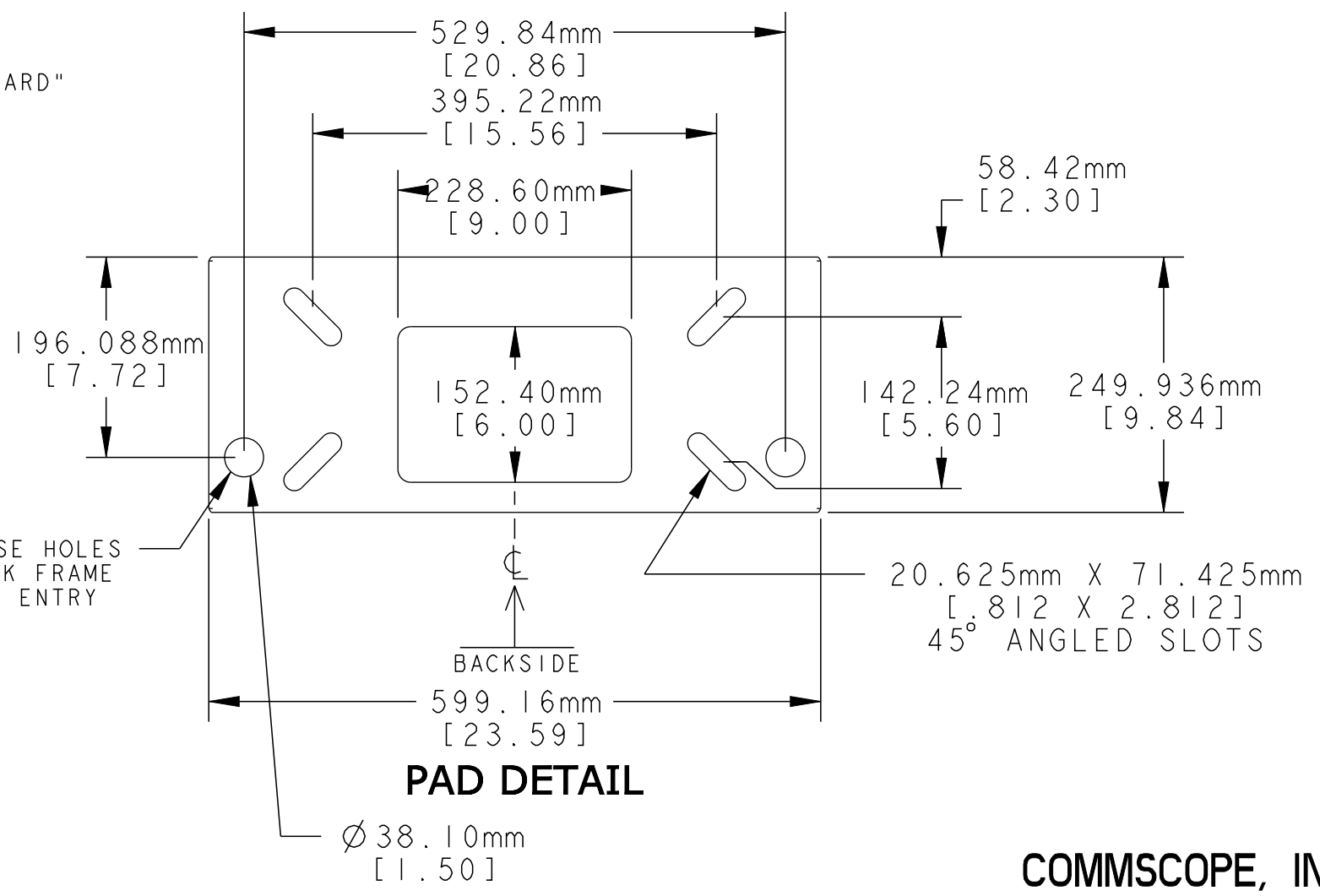
D



VERTICAL CABLE DUCT ASSEMBLY

- CUSTOMER REFERENCE WIRING NOTES:**
- THE FOLLOWING NOTES ARE WIRING PROCEDURES PER ADC STANDARDS.
 - MODULE POSITION 1 COUNT STARTS FROM THE TOP, BELOW THE FUSE PANEL WHEN EQUIPMENT CABLES ENTER FROM THE FLOOR. MODULE POSITION 1 COUNT STARTS FROM THE BOTTOM, ABOVE THE LOWER TROUGH WHEN EQUIPMENT CABLES ENTER ABOVE THE RACK.
 - USE COLOR CODED INSULATED WIRES TO IDENTIFY WIRE CONNECTIONS.
 - BLUE OR RED WIRE FOR BATTERY (-48VDC), BLACK WIRE FOR BATTERY RETURN (GND) AND GREEN WIRE FOR CHASSIS/FRAME GROUND. OTHER WIRE COLOR MAY BE USED AS THEY ARE DETERMINED BY LOCAL PRACTICES.
 - CRIMP PROPER TYPE & SIZE TERMINAL LUG ON WIRE END BEFORE TERMINATING ON ANY SCREW-DOWN TERMINAL.
 - TERMINATE LUGS ON MODULE TERMINALS AND ROUTE THE OTHER END OF THE POWER WIRES TO THE BACKSIDE OF THE FUSE PANEL. WIRE-WRAP ON ITS RESPECTIVE PIN POSITION ON THE FUSE PANEL OUTPUT TERMINALS. SECURE ALL WIRING ON THE BAY.
 - TERMINATE GREEN WIRES TO THE CHASSIS GROUND TERMINAL OF EACH MODULE AND ROUTE THE OTHER END UP TO THE GROUND POST TERMINALS LOCATED INSIDE THE RACK CHANNEL.

- RACK INSTALLATION NOTES:**
- USE RACK ISOLATOR PAD INCLUDED WITH THIS BAY AS YOUR FLOOR TEMPLATE.
 - POSITION PAD ON THE EXACT LOCATION OF THE BAY, NOTE FRONT & BACK SIDE. MARK THE FLOOR, NOTE TO ALWAYS PLACE YOUR MARK ON THE CENTER OF ANY SLOT (IF PERMITTED).
 - FILE ALL SHARP EDGES AFTER DRILLING AND CUTTING. USE EDGE PROTECTOR AROUND CABLE ENTRY HOLES.
 - USE THE PROPER INSTALLATION KIT DICTATED BY THE OFFICE/SITE REQUIREMENTS.
 - REMOVE THE REAR/BASE SUPPORT BRACKET BEFORE INSTALLING THIS BAY IN PLACE.
 - SEE "PAD DETAIL" FOR ISOLATOR PAD DIMENSION.
 - M-12 HARDWARE ARE PROVIDED WITH THIS BAY TO BOLT RACK SIDE TO SIDE. DO NOT OVER-TIGHTEN NUT, THIS MAY CAUSE RACK TO BOW.



CUSTOMER WIRING TABLE (REF. ONLY)				
FROM DSX PANEL	TO FUSE PANEL		FUSE POSITION	
PANEL POSITION	TERMINAL	ROW	P/N	AMPERAGE
DSX MODULE POSITION 1	-48V	NEG (-)	1	POSITION 1 (1/2 AMP)
	GND	POS (+)		
DSX MODULE POSITION 2	-48V	NEG (-)	2	POSITION 2 (1/2 AMP)
	GND	POS (+)		
REPEATED WIRING PATTERN				
DSX MODULE POSITION 13	-48V	NEG (-)	13	POSITION 13 (1/2 AMP)
	GND	POS (+)		

© 2016 COMMSCOPE, INC. CONFIDENTIAL NOTICE: THESE DRAWINGS AND SPECIFICATIONS ARE THE PROPRIETARY PROPERTY OF COMMSCOPE, INC. AND MAY BE USED ONLY FOR THE SPECIFIC PURPOSE AUTHORIZED IN WRITING BY COMMSCOPE, INC.

TITLE: DSX SKELETON BAY FRONT X-CONNECT

ALL DIMS AND TOLERANCES ARE INCHES UNLESS OTHERWISE SPECIFIED

SIZE: C

DRAWING NUMBER: 660000502

REVISION: A

ENGR: P. SALAZAR

DWN: P. SALAZAR

DO NOT SCALE DRAWING

SHT. 2 OF 2

COMMSCOPE, INC.

DIMENSIONS IN INCHES
THIRD ANGLE PROJECTION