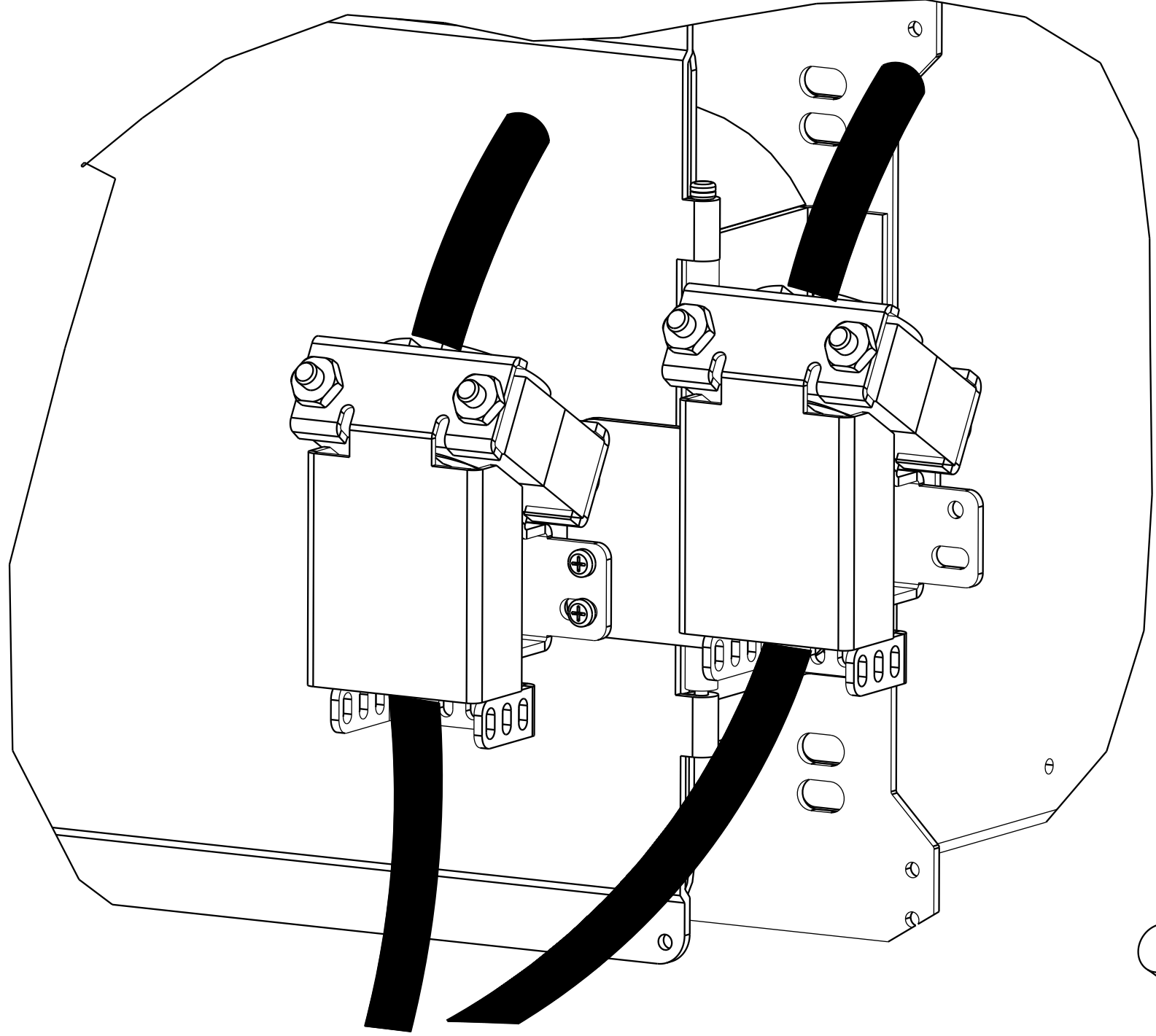
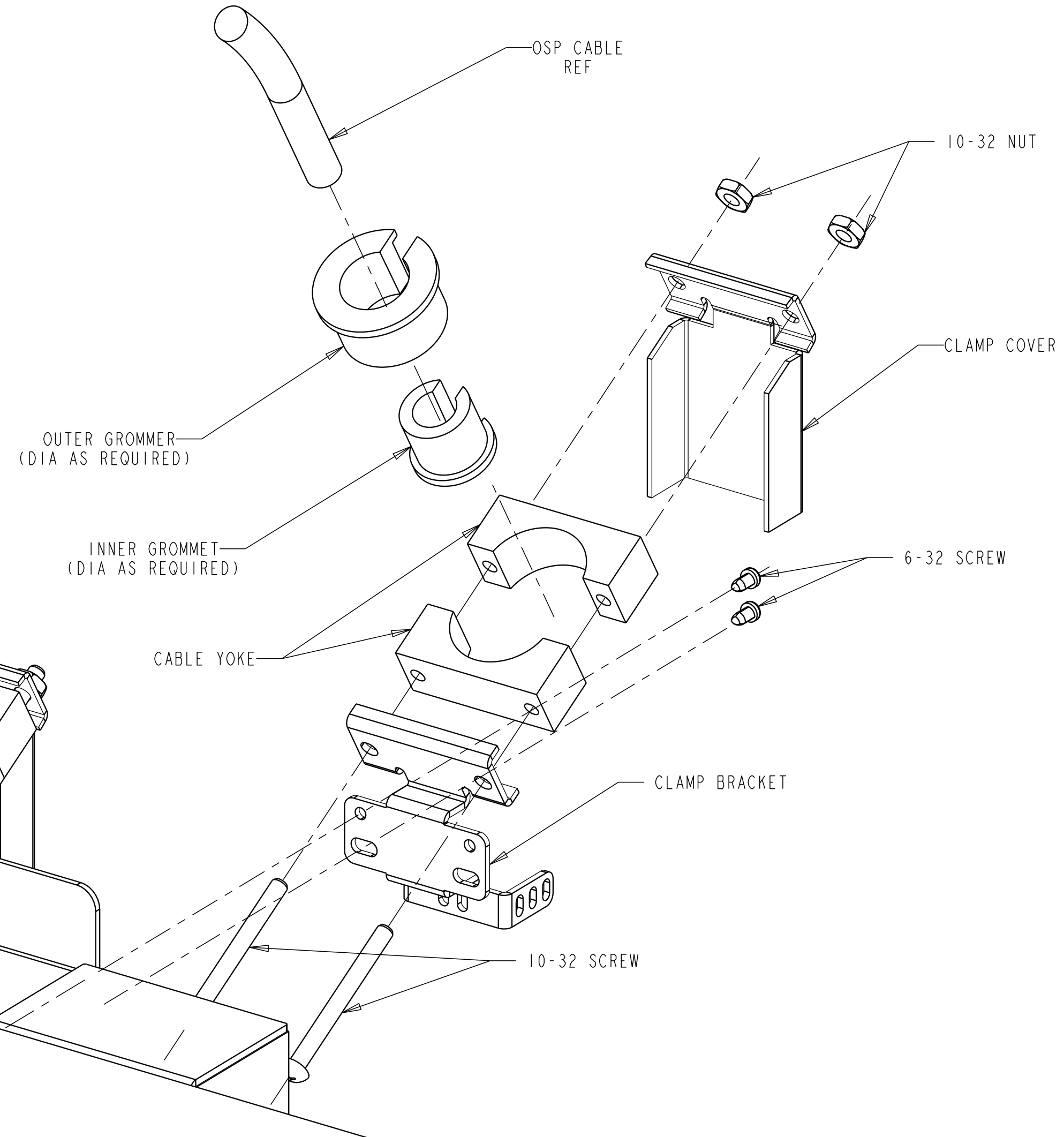


REV	MCO	DWN	DATE
E	40017421MCO	OAVL	05-FEB-15
F	40032437MCO	IAV	27-JUL-16



MOUNTED ON DUAL PLATE



PLATE, DUAL OSP CLAMP MTG, REF

EXISTING REAR CABLE MANAGEMENT PLATE, REF

PARTS LIST	
QUANTITY	DESCRIPTION
1	PLATE MOUNTING
2	6-32 x .375" SCREW
1	INSTALLATION DRAWING

NOTES:
1. ONE COPY OF INSTALLATION DRAWING INCLUDED WITH UNIT.

E-501-L41	DFD CABLE CLAMP KIT, PUTTY WHITE
CATALOG NUMBER	DESCRIPTION

<small>© 2016 COMMSCOPE, INC. CONFIDENTIAL NOTICE: THESE DRAWINGS AND SPECIFICATIONS ARE THE PROPRIETARY PROPERTY OF COMMSCOPE, INC. AND MAY BE USED ONLY FOR THE SPECIFIC PURPOSE AUTHORIZED IN WRITING BY COMMSCOPE, INC.</small>		<small>TITLE</small> KIT, DUAL OSP CLAMP INSTALLATION DRAWING	
<small>ALL DIMS AND TOLERANCES ARE INCHES UNLESS OTHERWISE SPECIFIED</small>	<small>.XX:±N/A .XXX:±N/A ANGULAR:±N/A</small>	<small>C SIZE</small>	<small>DRAWING NUMBER</small> 4268609751_ADC
<small>DO NOT SCALE DRAWING</small>	<small>ENGR: DEREK DERKS</small>	<small>SHT. 1 OF 1</small>	
<small>DWN: SPENCER FROTHINGER</small>		<small>F REV</small>	

COMMSCOPE, INC.

**DIMENSIONS IN INCHES
THIRD ANGLE PROJECTION**