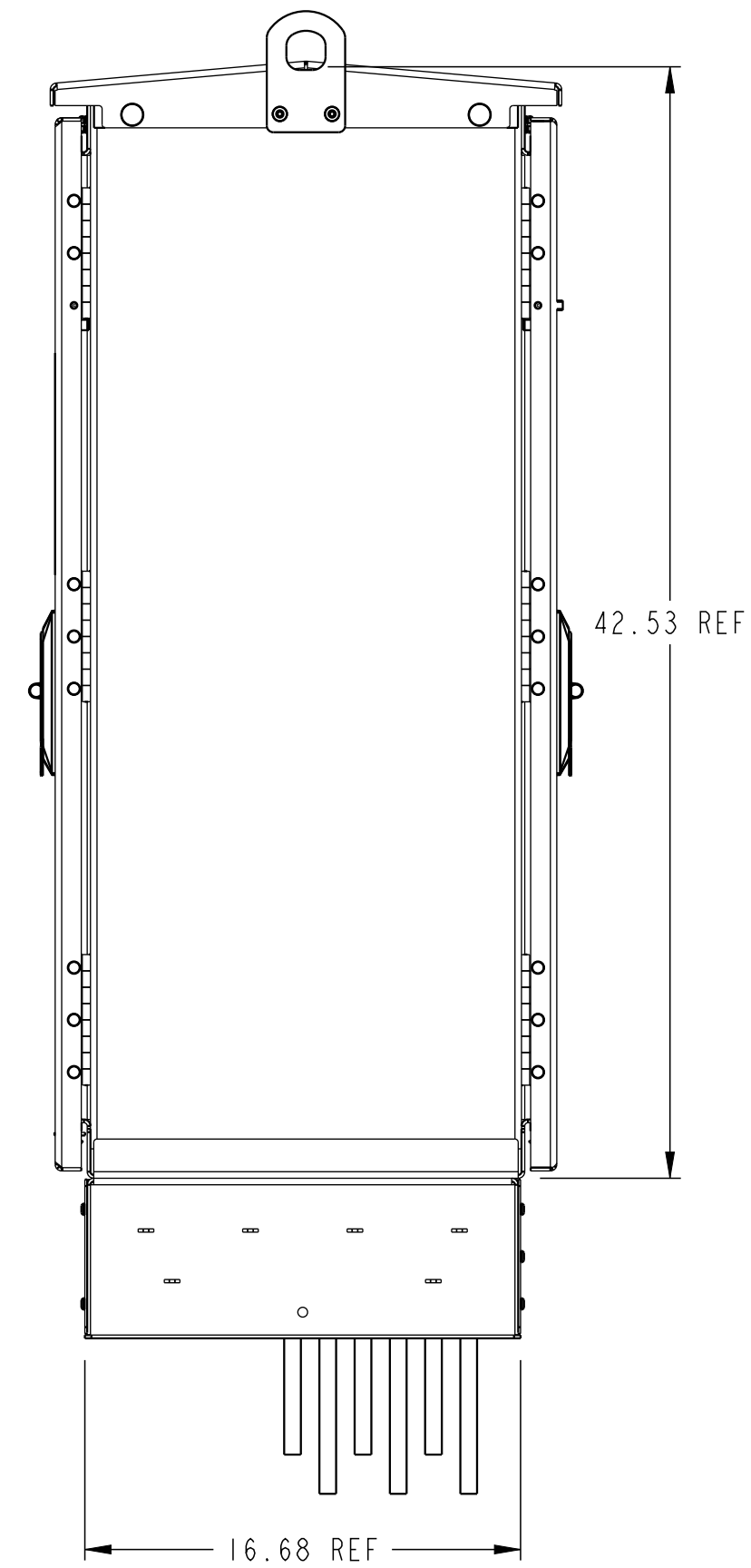
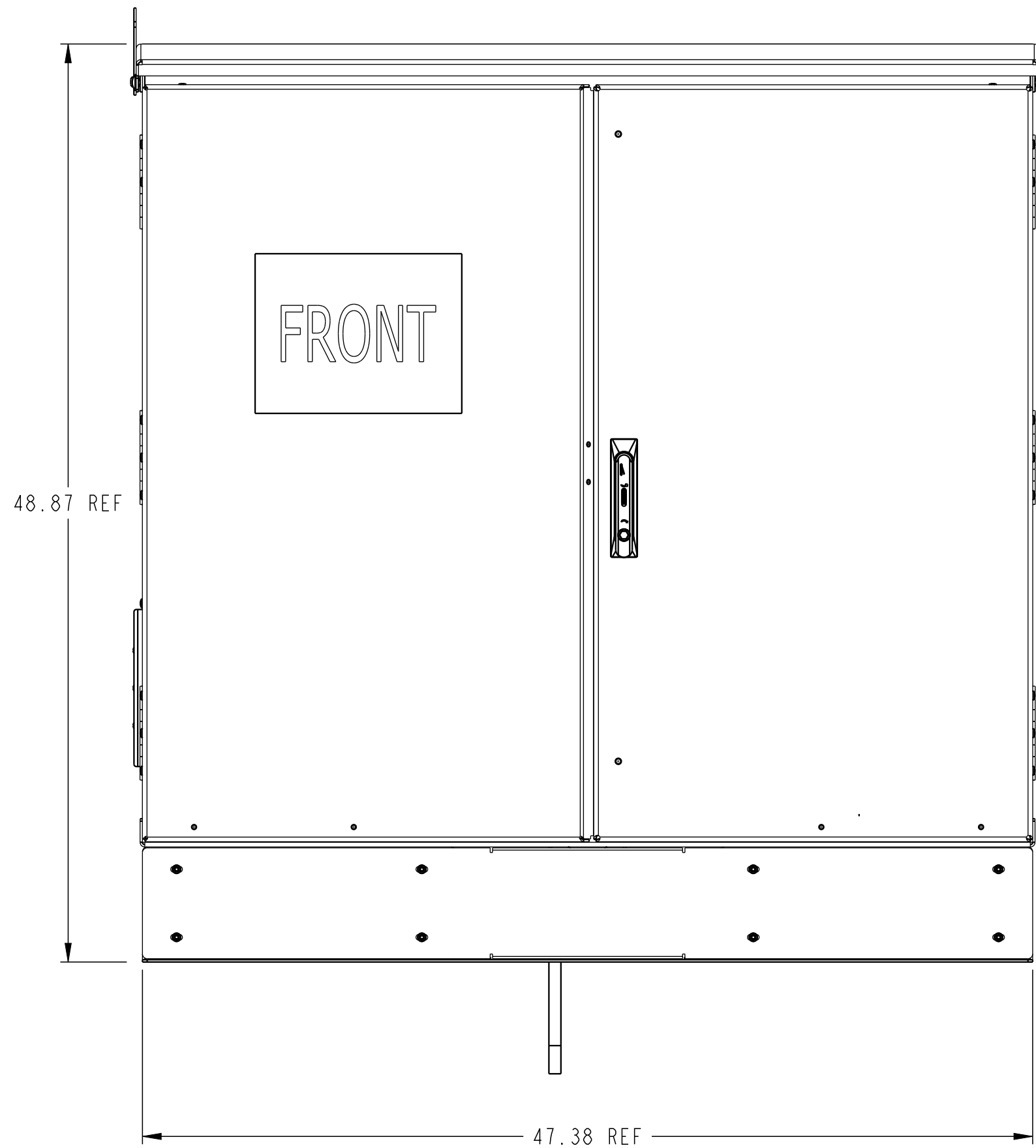
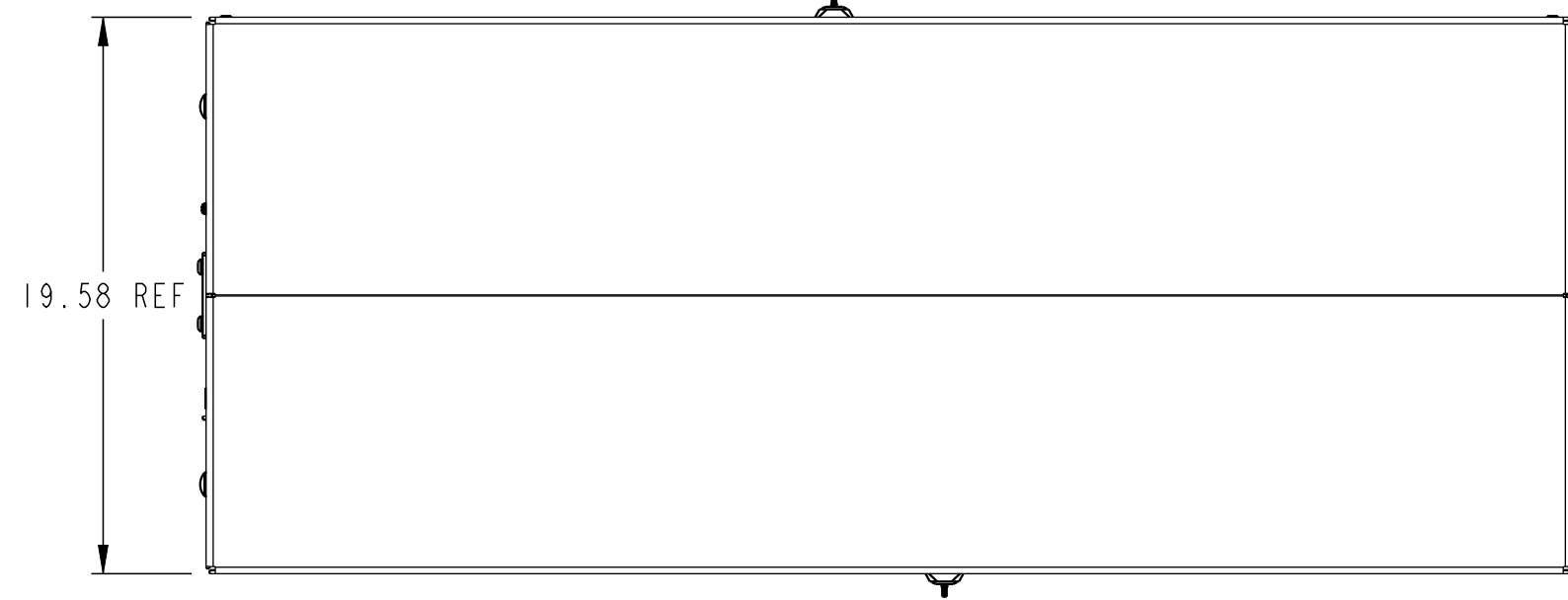


REV.	MCO	DWN	DATE
A	40024423MCO	CA	09-SEP-15
B	40032810MCO	MFG	10-AUG-16



COMMSCOPE, INC.

© 2016 COMMSCOPE, INC. CONFIDENTIAL
 NOTICE: THESE DRAWINGS AND SPECIFICATIONS
 ARE THE PROPRIETARY PROPERTY OF
 COMMSCOPE, INC. AND MAY BE USED ONLY FOR THE
 SPECIFIC PURPOSE AUTHORIZED IN WRITING BY
 COMMSCOPE, INC.

TITLE 864 CROSS CONNECT
 INSTALLATION DRW
 FDH3000

ALL DIMS AND TOLERANCES .XX:±N/A
 ARE INCHES UNLESS .XXX:±N/A
 OTHERWISE SPECIFIED ANGULAR:±N/A

DRAWING NUMBER 300100112904
 SIZE C
 B REV

DO NOT SCALE DRAWING

ENGR: ERIK ESTRADA
 DWN: CARLOS ARROYO
 SHT. 1 OF 4

DIMENSIONS IN INCHES
 THIRD ANGLE PROJECTION

A

B

C

D

1

2

3

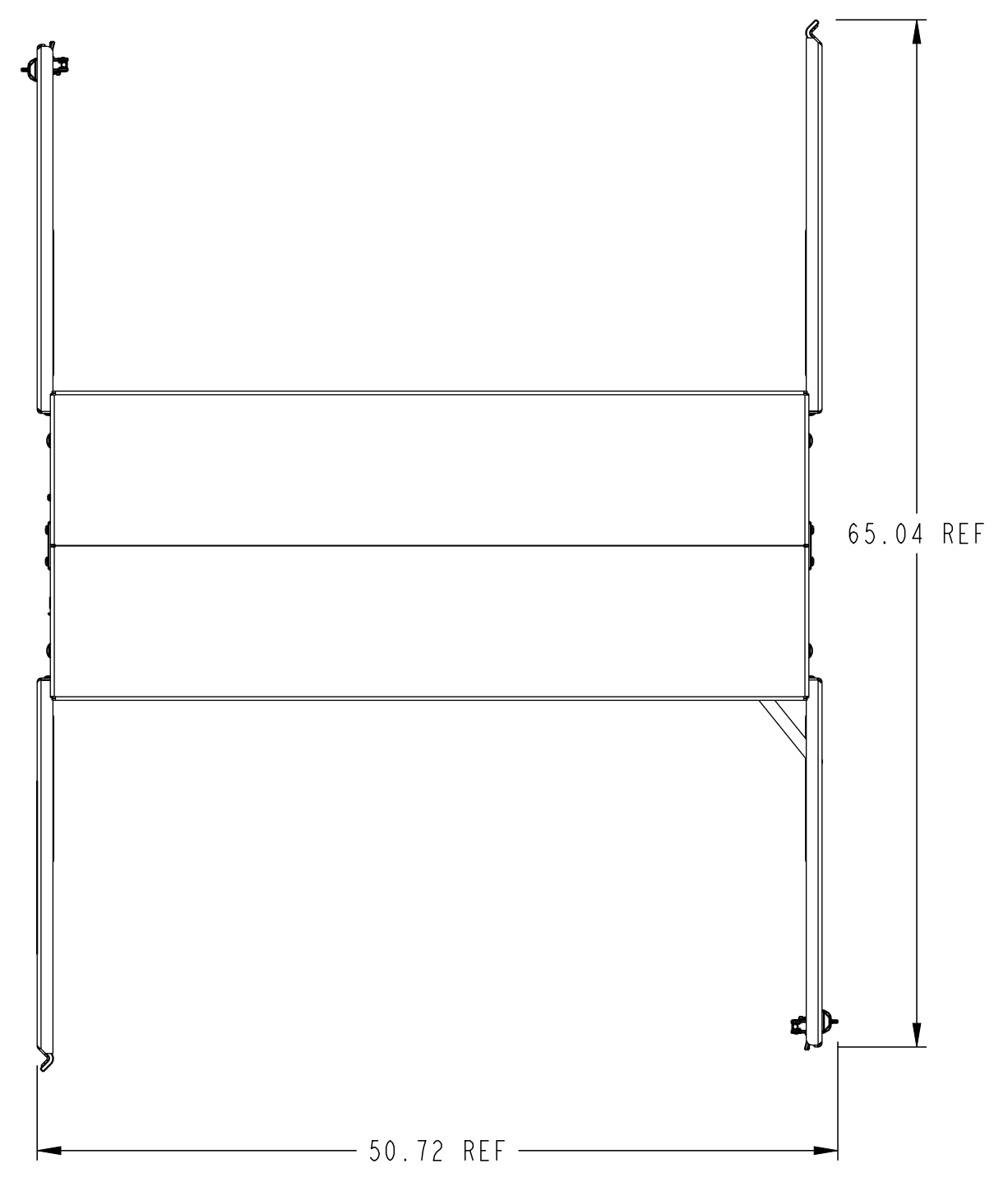
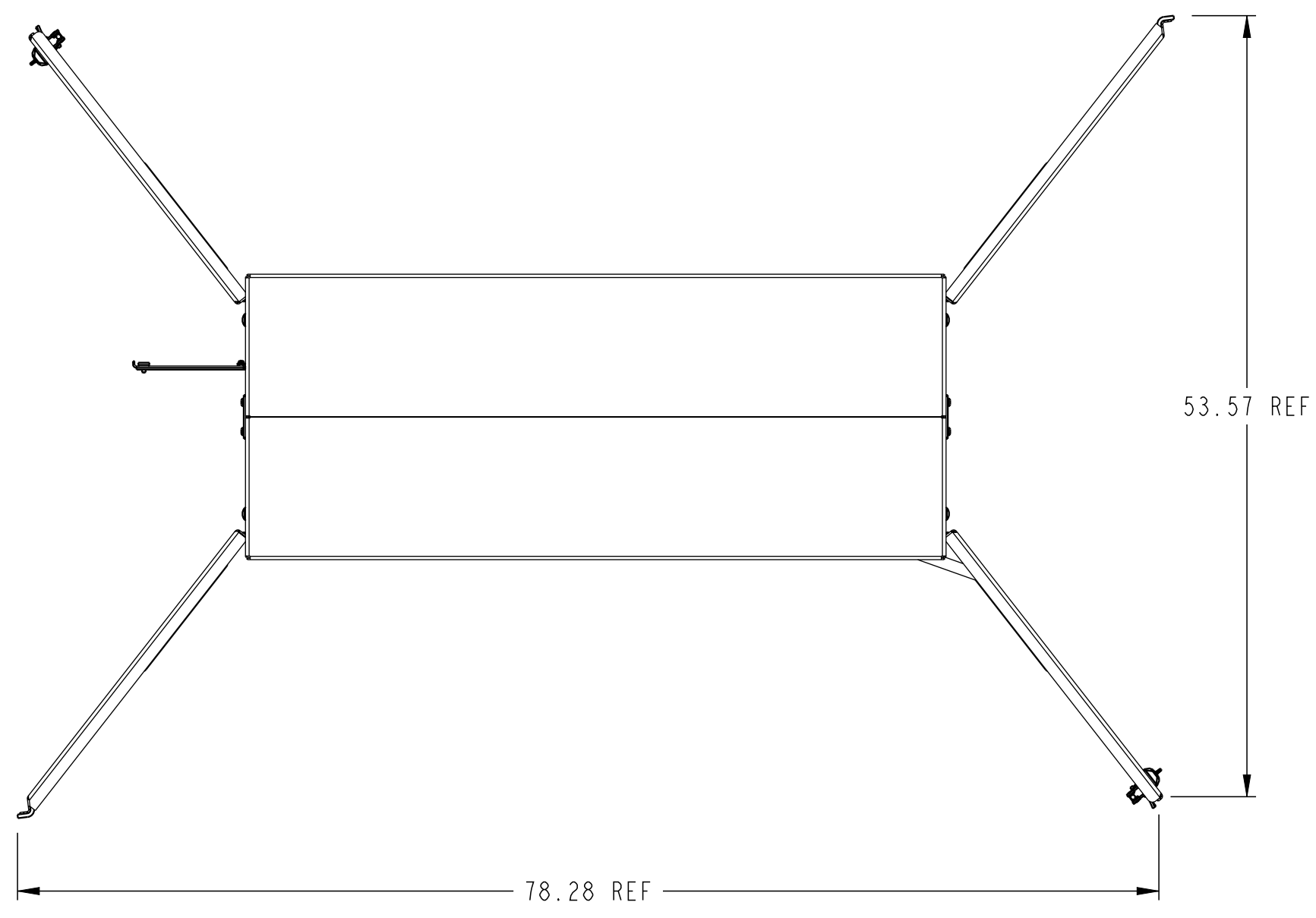
4

1

2

3

4



COMMSCOPE, INC.

© 2016 COMMSCOPE, INC. CONFIDENTIAL
 NOTICE: THESE DRAWINGS AND SPECIFICATIONS
 ARE THE PROPRIETARY PROPERTY OF
 COMMSCOPE, INC. AND MAY BE USED ONLY FOR THE
 SPECIFIC PURPOSE AUTHORIZED IN WRITING BY
 COMMSCOPE, INC.

TITLE 864 CROSS CONNECT
 INSTALLATION DRW
 FDH3000

ALL DIMS AND TOLERANCES .XX:±N/A
 ARE INCHES UNLESS .XXX:±N/A
 OTHERWISE SPECIFIED ANGULAR:±N/A

DRAWING NUMBER 300100112904

DO NOT SCALE DRAWING

ENGR: ERIK ESTRADA
 DWN: CARLOS ARROYO

SHT. 2 OF 4



**DIMENSIONS IN INCHES
 THIRD ANGLE PROJECTION**

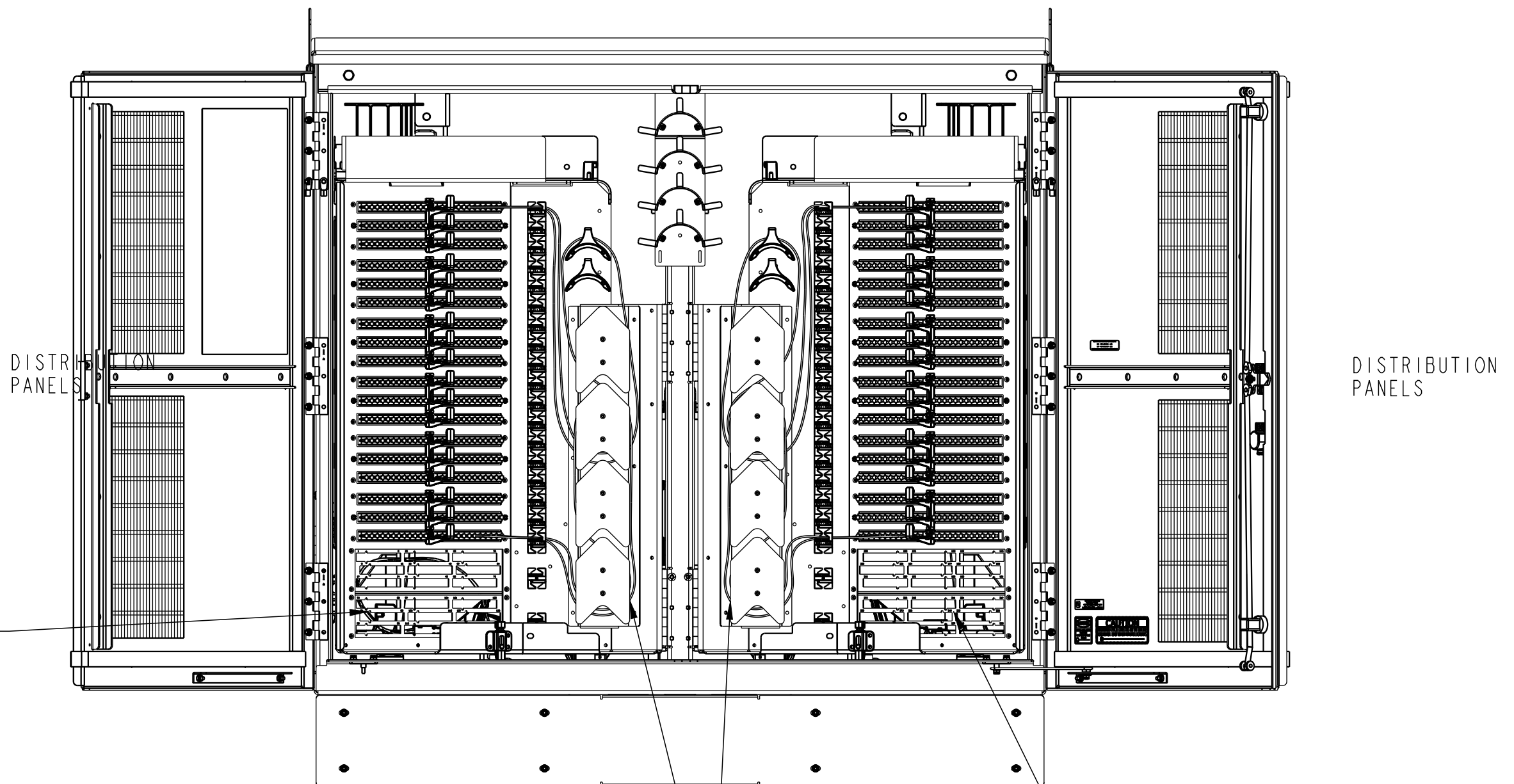
A

B

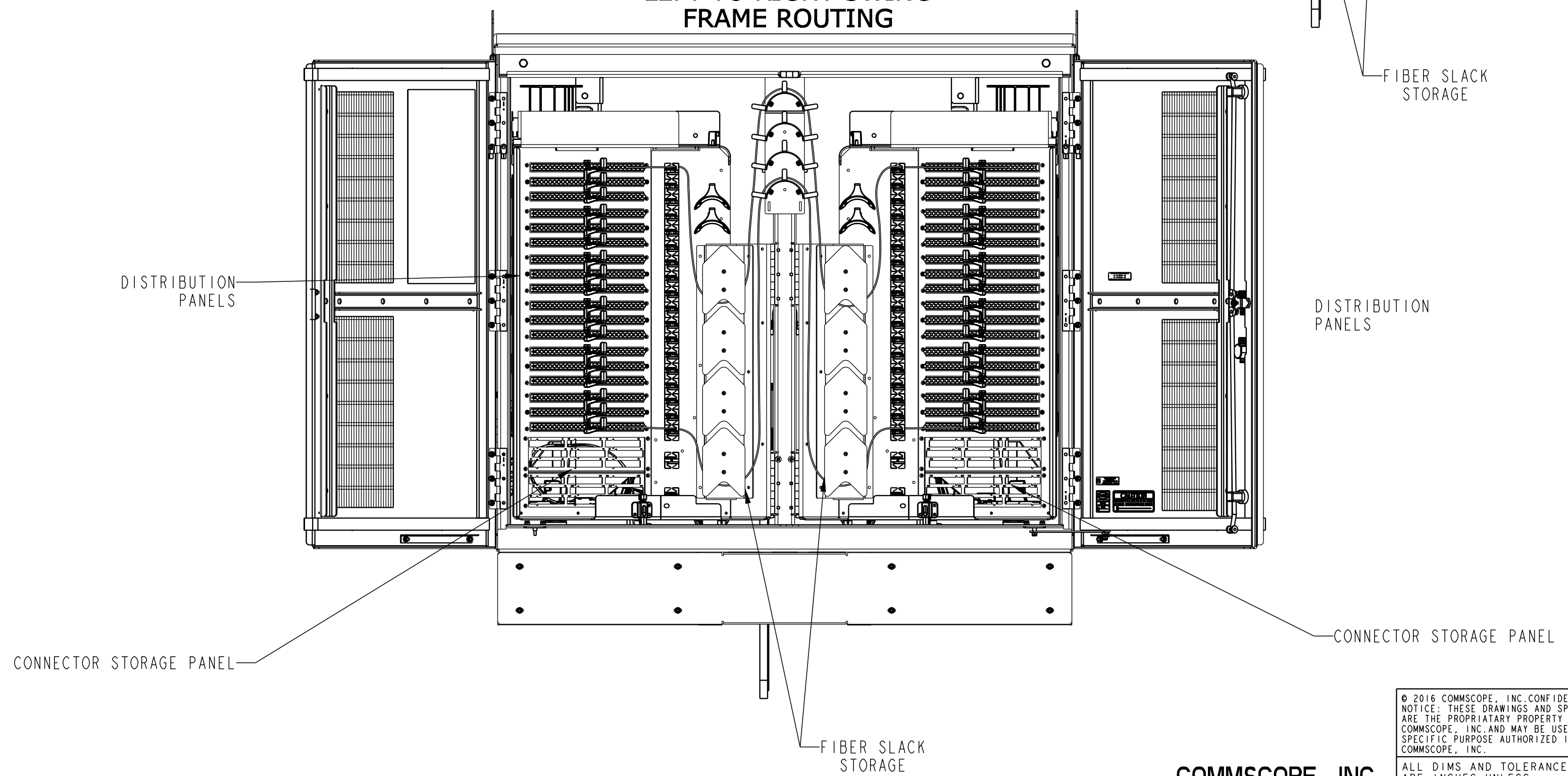
C

D

LEFT AND RIGHT SWING
FRAME ROUTING



LEFT TO RIGHT SWING
FRAME ROUTING



© 2016 COMMSCOPE, INC. CONFIDENTIAL
 NOTICE: THESE DRAWINGS AND SPECIFICATIONS
 ARE THE PROPRIETARY PROPERTY OF
 COMMSCOPE, INC. AND MAY BE USED ONLY FOR THE
 SPECIFIC PURPOSE AUTHORIZED IN WRITING BY
 COMMSCOPE, INC.

TITLE 864 CROSS CONNECT
 INSTALLATION DRW
 FDH3000

ALL DIMS AND TOLERANCES .XX:±N/A
 ARE INCHES UNLESS .XXX:±N/A
 OTHERWISE SPECIFIED ANGULAR:±N/A

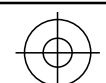
DRAWING NUMBER 300100112904

COMMSCOPE, INC.

DO NOT SCALE DRAWING

ENGR: ERIK ESTRADA
 DWN: CARLOS ARROYO

SHT. 3 OF 4



DIMENSIONS IN INCHES
THIRD ANGLE PROJECTION

A

B

C

D

1

2

3

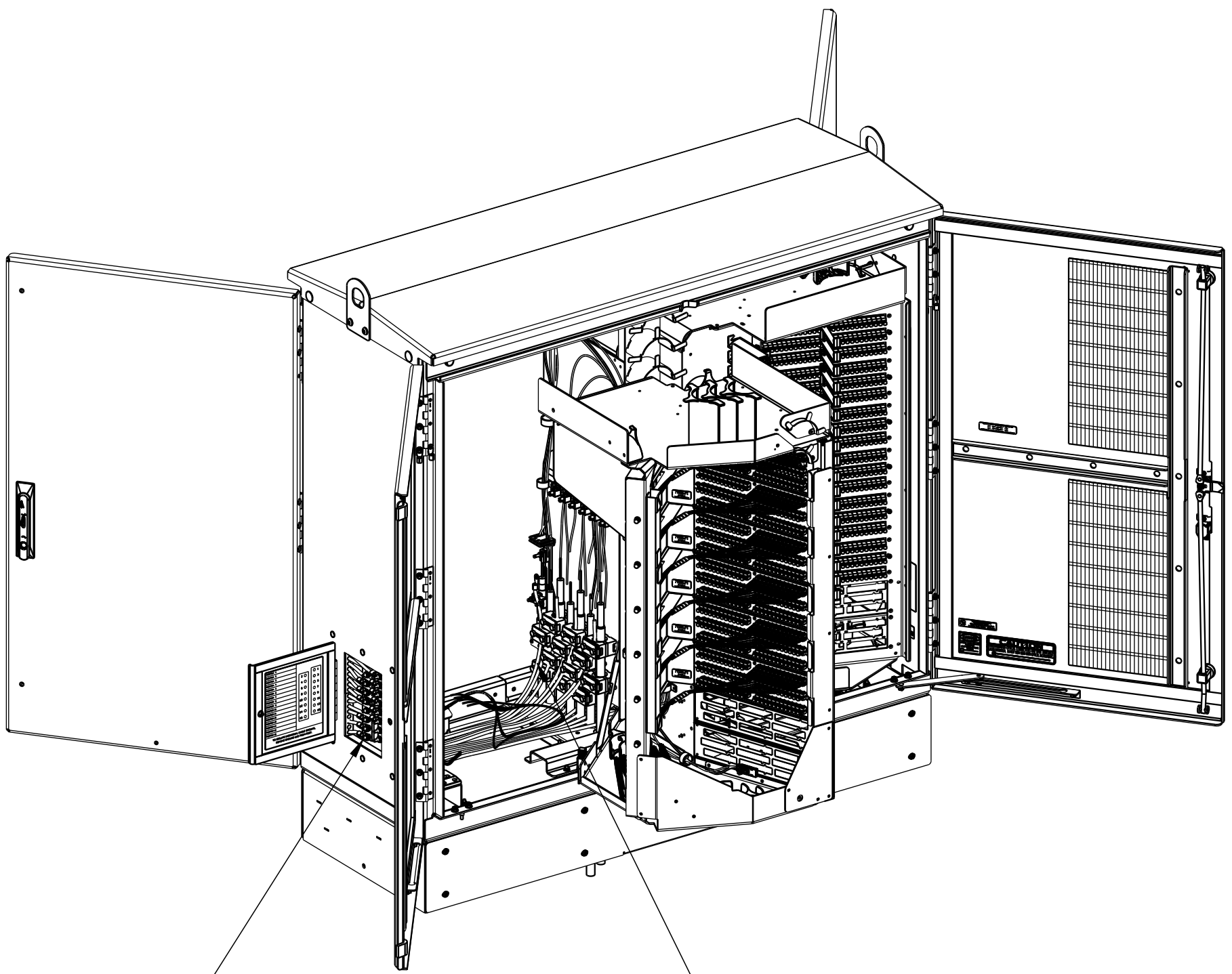
4

1

2

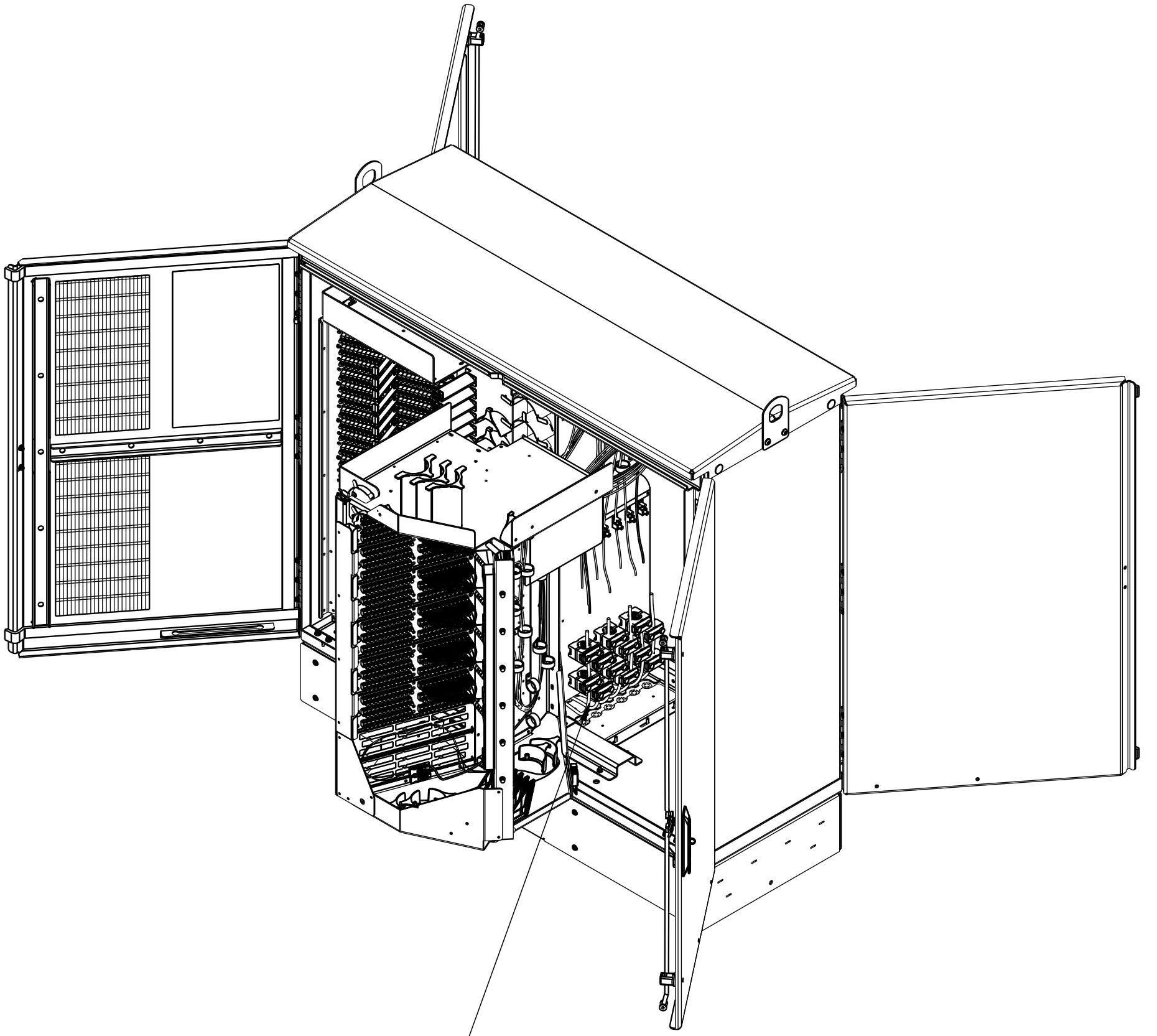
3

4



GROUNDING

GROUNDING



GROUNDING

COMMSCOPE, INC.

© 2016 COMMSCOPE, INC. CONFIDENTIAL
 NOTICE: THESE DRAWINGS AND SPECIFICATIONS
 ARE THE PROPRIETARY PROPERTY OF
 COMMSCOPE, INC. AND MAY BE USED ONLY FOR THE
 SPECIFIC PURPOSE AUTHORIZED IN WRITING BY
 COMMSCOPE, INC.

TITLE 864 CROSS CONNECT
 INSTALLATION DRW
 FDH3000

ALL DIMS AND TOLERANCES .XX:±N/A
 ARE INCHES UNLESS .XXX:±N/A
 OTHERWISE SPECIFIED ANGULAR:±N/A

DRAWING NUMBER 300100112904

DO NOT SCALE DRAWING

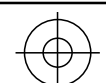
ENGR: ERIK ESTRADA
 DWN: CARLOS ARROYO

SHT. 4 OF 4

A

B

C



**DIMENSIONS IN INCHES
 THIRD ANGLE PROJECTION**