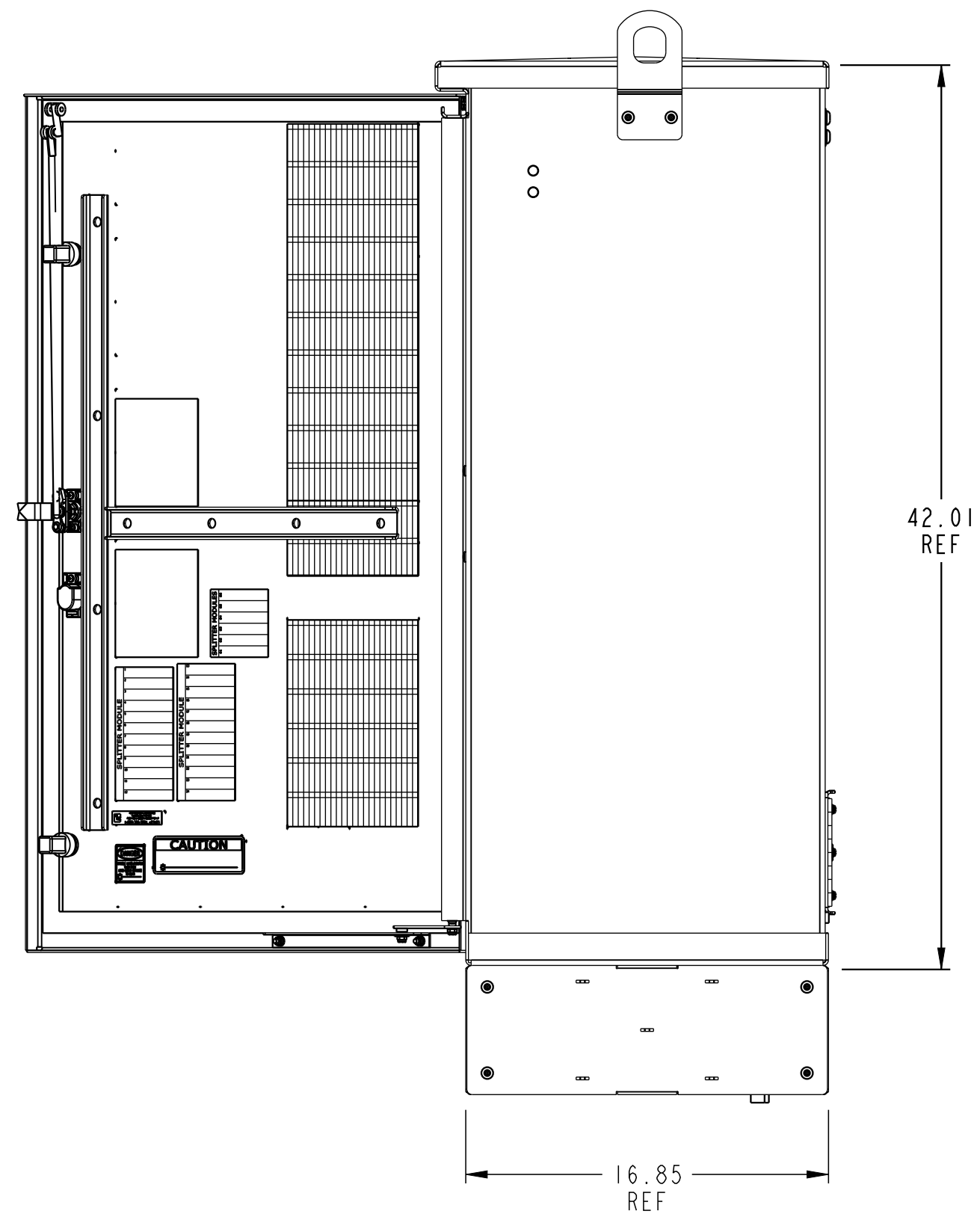
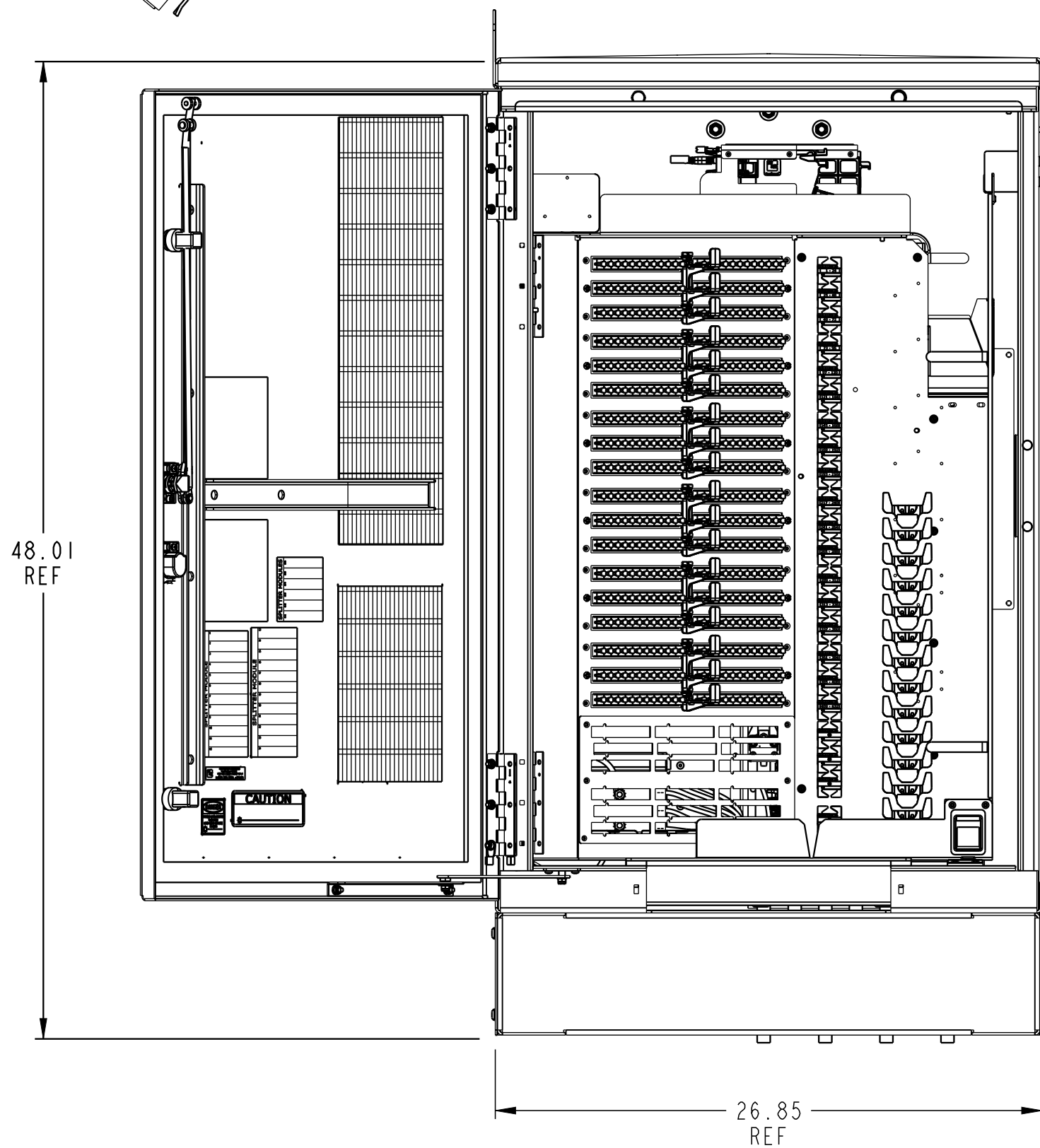
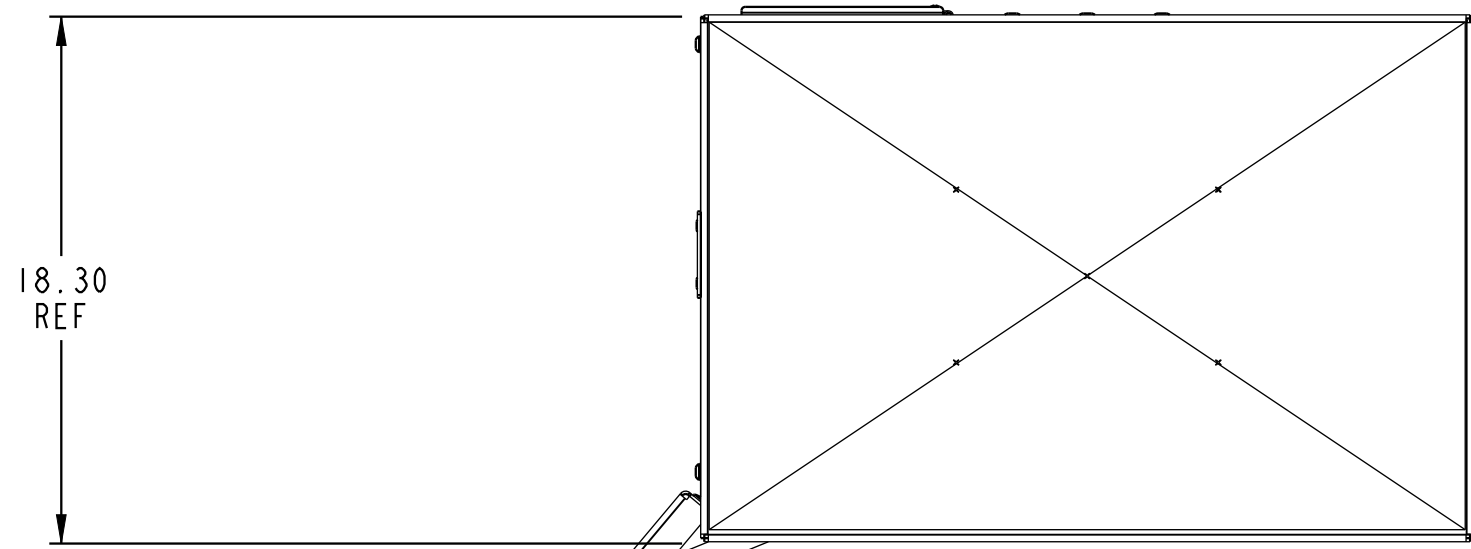


REV	MCO	DWN	DATE
B	40028950MCO	CA	18-MAR-16
C	40032810MCO	MFG	09-AUG-16



COMMSCOPE, INC.

<small>© 2016 COMMSCOPE, INC. CONFIDENTIAL NOTICE: THESE DRAWINGS AND SPECIFICATIONS ARE THE PROPRIETARY PROPERTY OF COMMSCOPE, INC. AND MAY BE USED ONLY FOR THE SPECIFIC PURPOSE AUTHORIZED IN WRITING BY COMMSCOPE, INC.</small>		TITLE FDH3000 432 INST DRW	
<small>ALL DIMS AND TOLERANCES .XX:±N/A ARE INCHES UNLESS .XXX:±N/A OTHERWISE SPECIFIED ANGULAR:±N/A</small>		C SIZE DRAWING NUMBER 300100111633	C REV
DO NOT SCALE DRAWING		ENGR: ARTURO MAYA DWN: JORGE SOTO	SHT. 1 OF 3



**DIMENSIONS IN INCHES
 THIRD ANGLE PROJECTION**

A

B

C

D

1

1

2

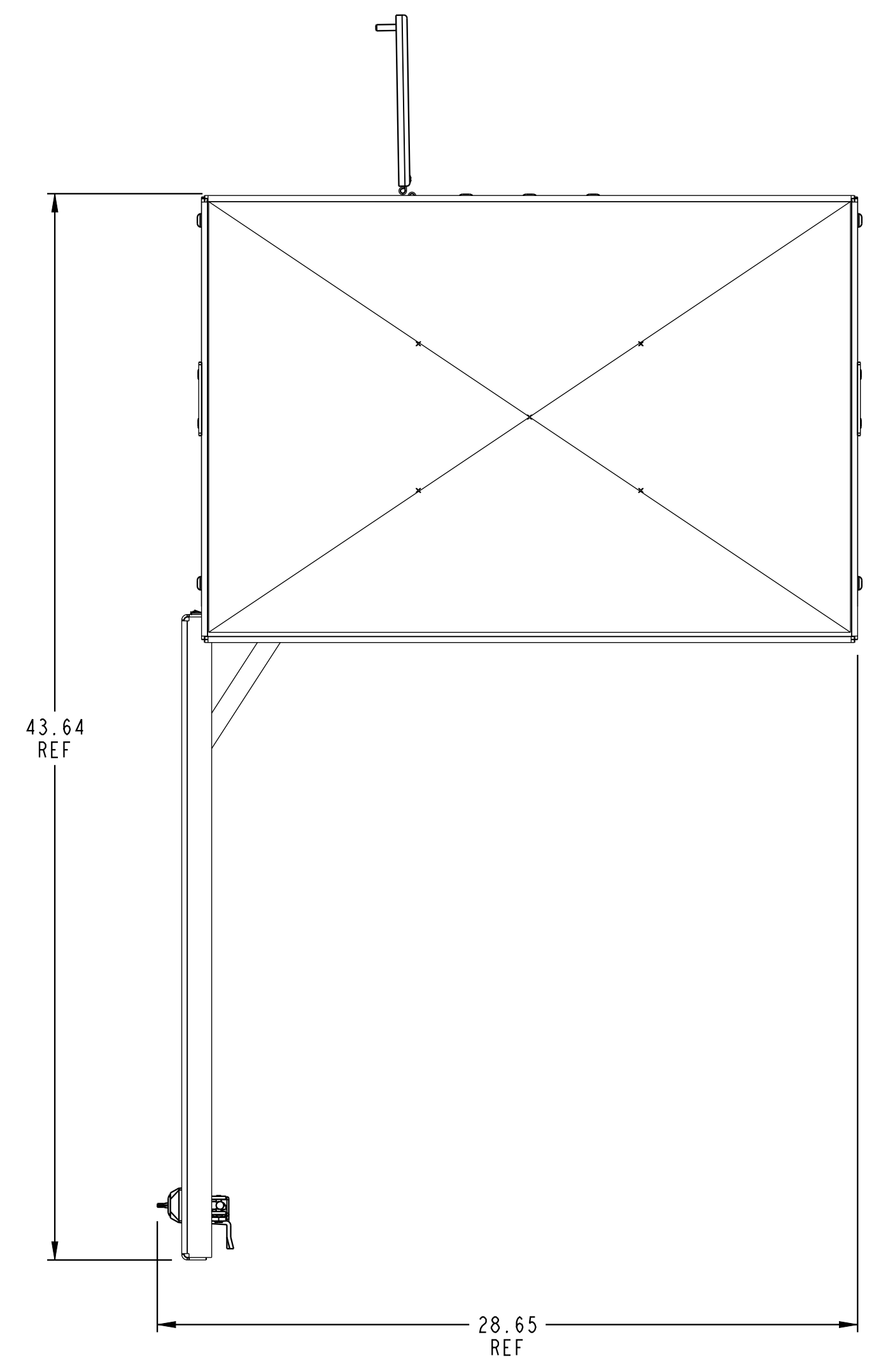
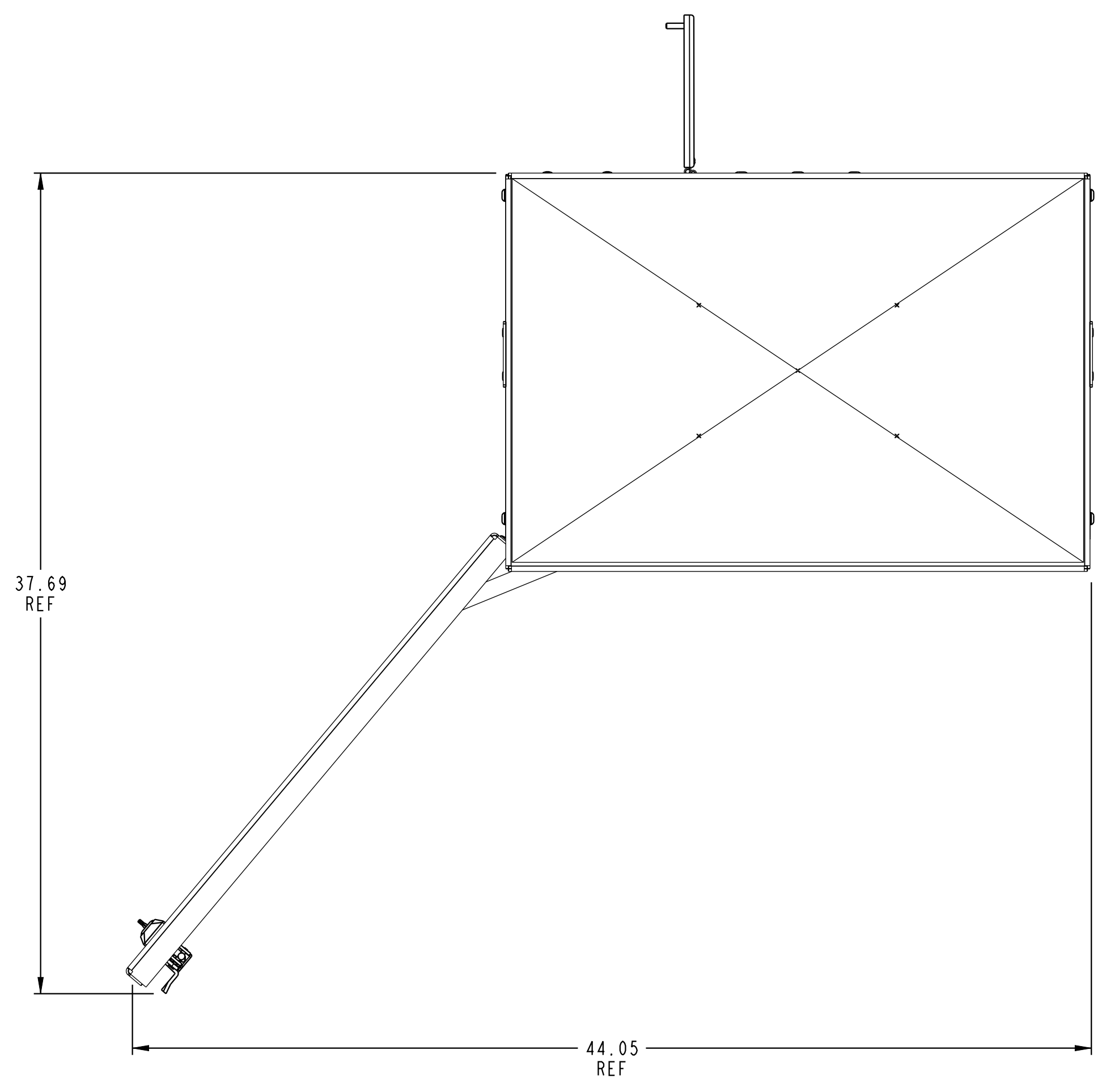
2

3

3

4

4



37.69
REF

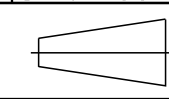
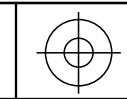
44.05
REF

43.64
REF

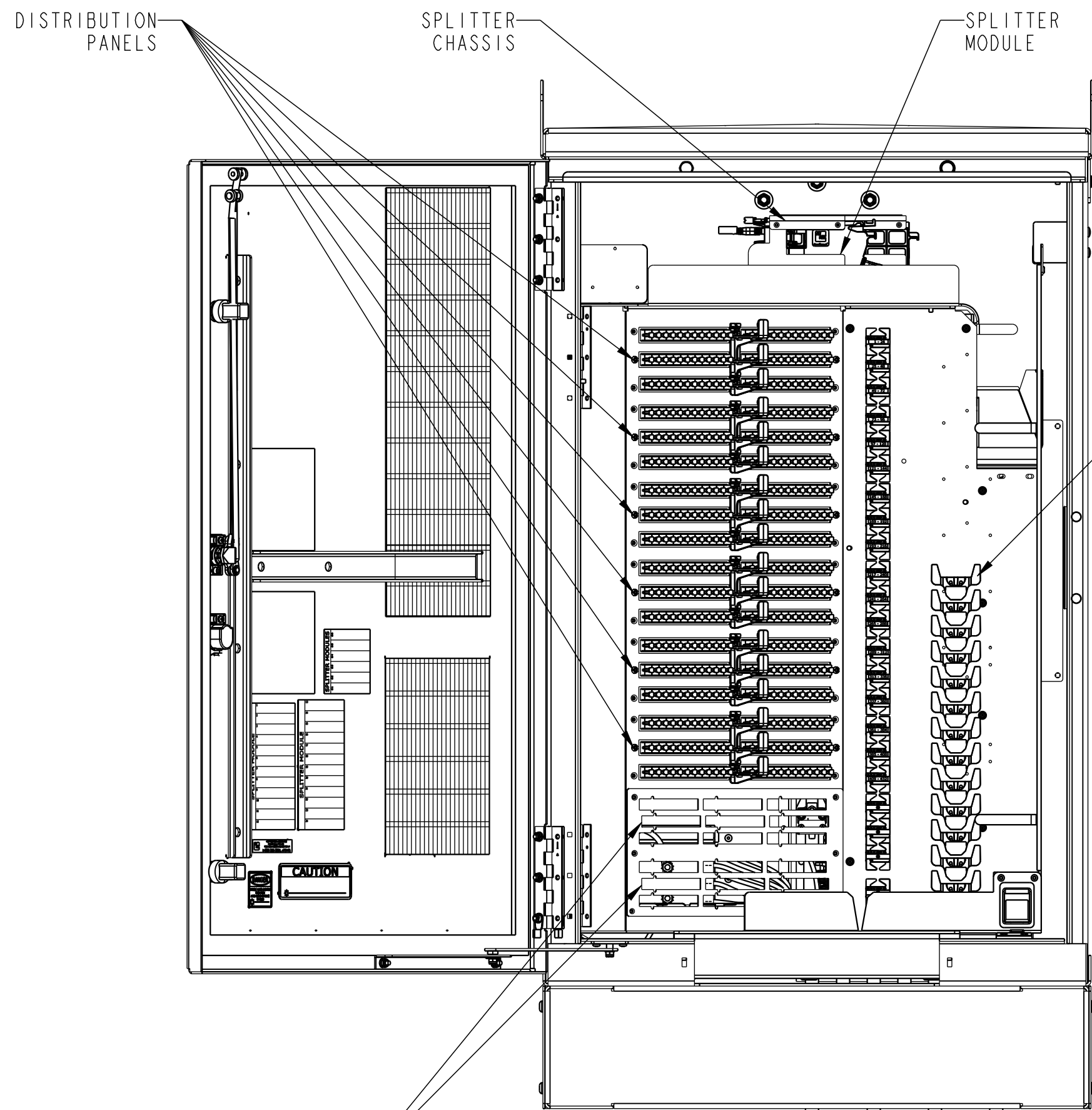
28.65
REF

COMMSCOPE, INC.

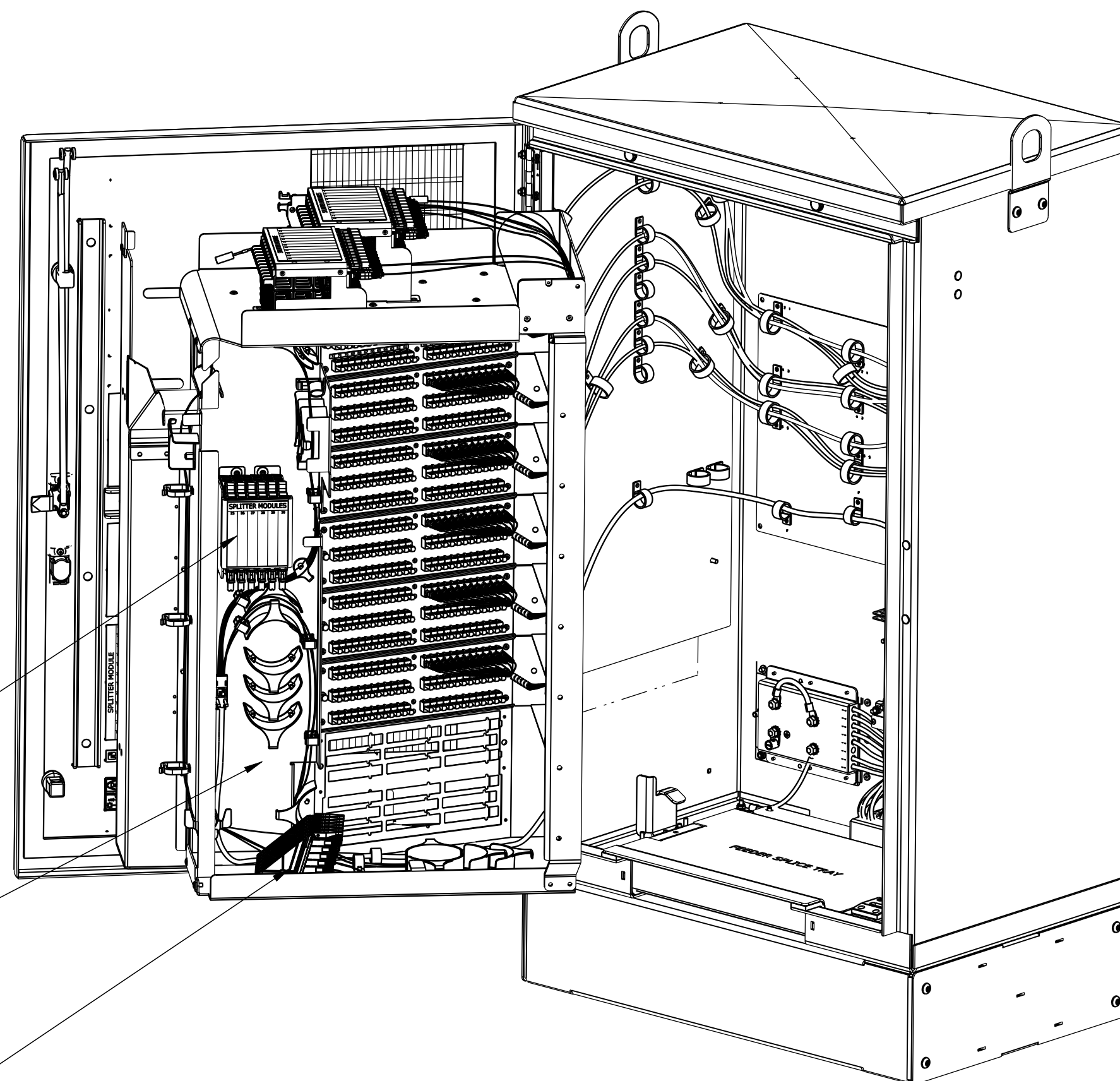
<small>© 2016 COMMSCOPE, INC. CONFIDENTIAL NOTICE: THESE DRAWINGS AND SPECIFICATIONS ARE THE PROPRIETARY PROPERTY OF COMMSCOPE, INC. AND MAY BE USED ONLY FOR THE SPECIFIC PURPOSE AUTHORIZED IN WRITING BY COMMSCOPE, INC.</small>		TITLE FDH3000 432 INST DRW	
<small>ALL DIMS AND TOLERANCES ARE INCHES UNLESS OTHERWISE SPECIFIED</small>	<small>.XX:±N/A .XXX:±N/A ANGULAR:±N/A</small>	C SIZE	DRAWING NUMBER 300100111633
DO NOT SCALE DRAWING		ENGR: ARTURO MAYA DWN: JORGE SOTO	SHT. 2 OF 3



**DIMENSIONS IN INCHES
THIRD ANGLE PROJECTION**



SLACK FIBER STORAGE



CONNECTOR STORAGE PANEL

FEEDER PORT ASSIGNMENTS

FEEDER FIBER #	CABINET PORTS	LOCATION
1-24	1-24	SPLITTER CHASSIS (TOP ROW)
25-30	25-30	REAR SPLITTER CHASSIS (TOP ROW)
31-66	31-66	SLIDING ADAPTER PACKS (PASS-THROUGH CHASSIS)
67-72	25-30	REAR SPLITTER CHASSIS (BOTTOM ROW)

COMMSCOPE, INC.

<small>© 2016 COMMSCOPE, INC. CONFIDENTIAL NOTICE: THESE DRAWINGS AND SPECIFICATIONS ARE THE PROPRIETARY PROPERTY OF COMMSCOPE, INC. AND MAY BE USED ONLY FOR THE SPECIFIC PURPOSE AUTHORIZED IN WRITING BY COMMSCOPE, INC.</small>		TITLE FDH3000 432 INST DRW	
<small>ALL DIMS AND TOLERANCES ARE INCHES UNLESS OTHERWISE SPECIFIED</small>		C SIZE	DRAWING NUMBER 300100111633
DO NOT SCALE DRAWING		ENGR: ARTURO MAYA DWN: JORGE SOTO	SHT. 3 OF 3

DIMENSIONS IN INCHES
THIRD ANGLE PROJECTION