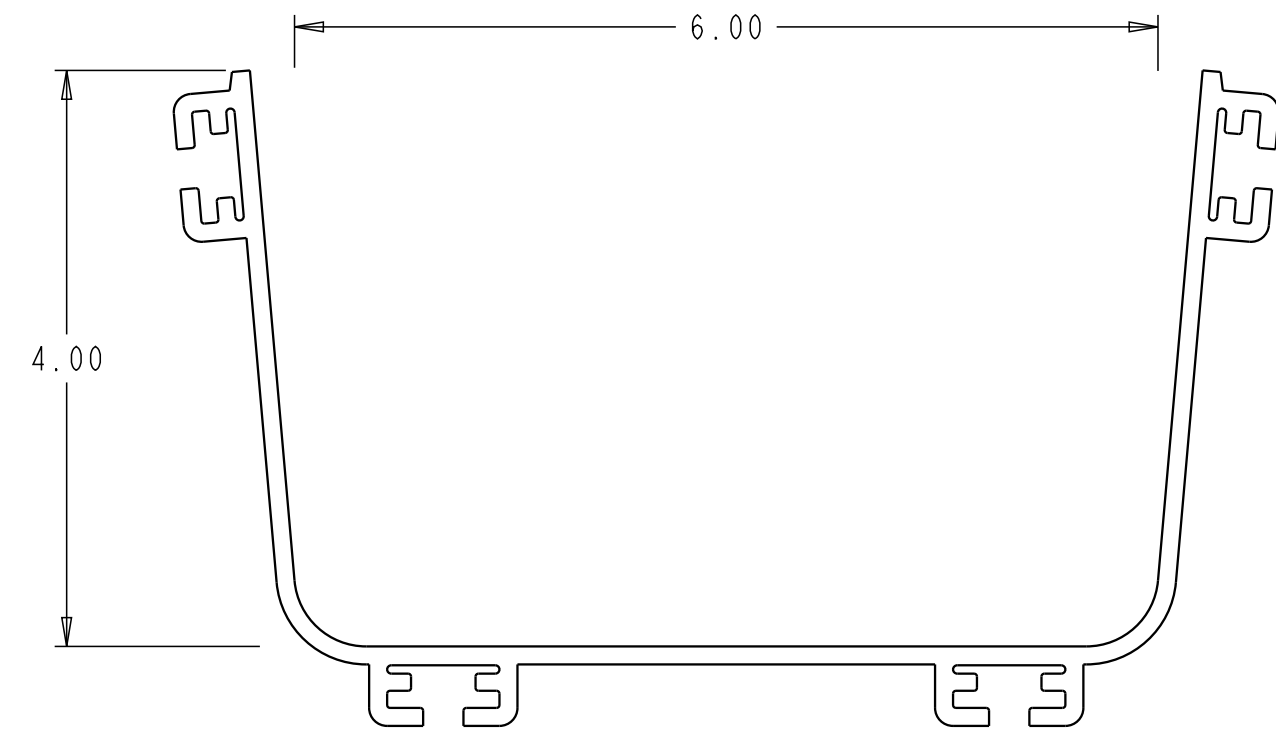
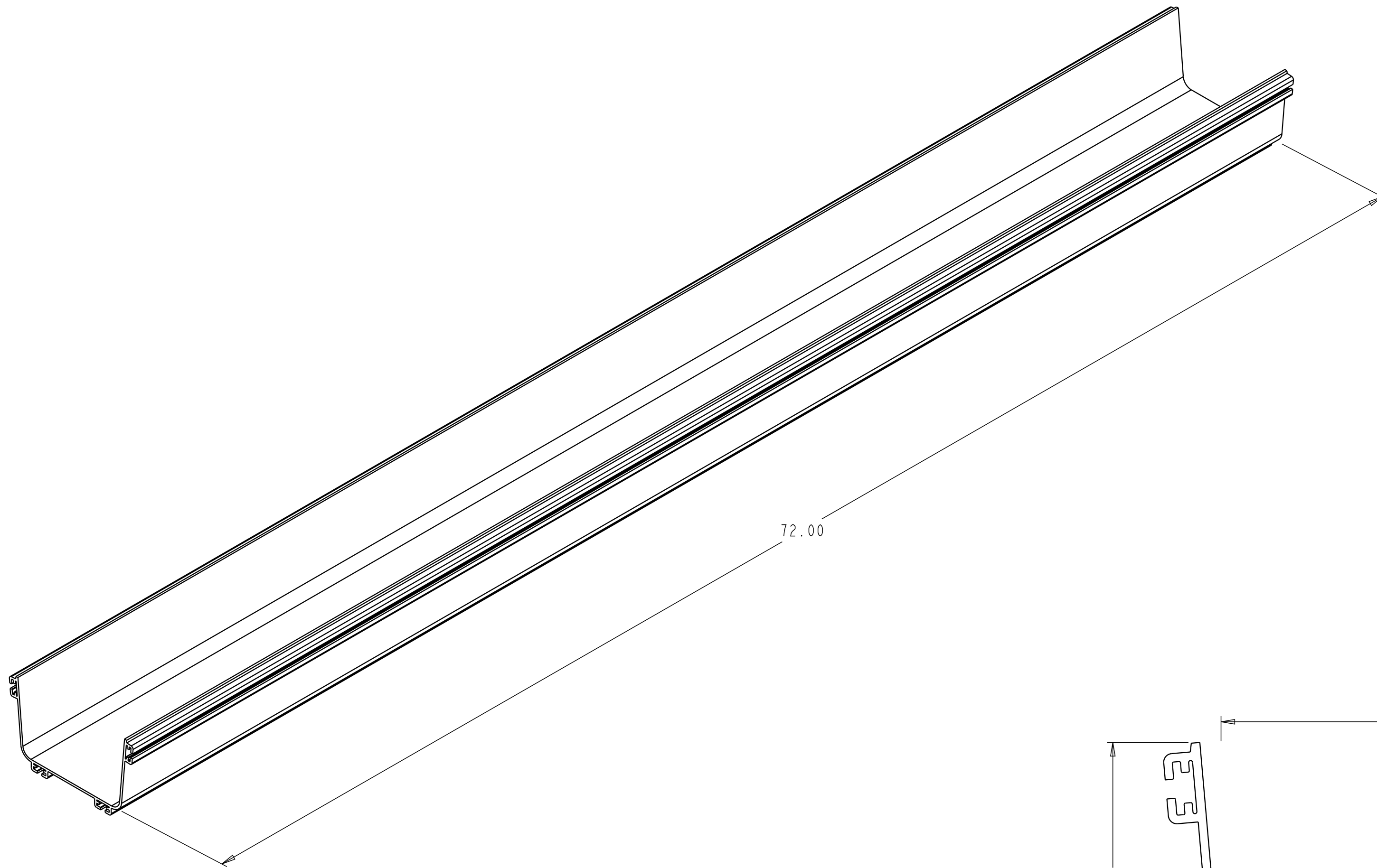


REV.	MCO	DWN	DATE
A	40018453MCO	OAVL	01-DEC-14
B	40031755MCO	OAVL	24-JUN-16



**NOTES:**

1. MATERIAL IS SELF EXTINGUISHING WITH A UL 94 RATING OF V-0.

**COMMSCOPE, INC.**

© 2016 COMMSCOPE, INC. CONFIDENTIAL  
 NOTICE: THESE DRAWINGS AND SPECIFICATIONS ARE THE PROPRIETARY PROPERTY OF COMMSCOPE, INC. AND MAY BE USED ONLY FOR THE SPECIFIC PURPOSE AUTHORIZED IN WRITING BY COMMSCOPE, INC.

ALL DIMS AND TOLERANCES ARE INCHES UNLESS OTHERWISE SPECIFIED  
 .XX:±REF  
 .XXX:±REF  
 ANGULAR:±REF

DO NOT SCALE DRAWING

TITLE  
**EXTRUSION, 4X6 TROUGH,  
 (INSTALLATION DRW)**

FGSB-MSHS-B	BLACK
FGS-MSHS-B	YELLOW
<b>CATALOG NUMBER</b>	<b>COLOR</b>

ENGR: HECTOR URENO	DRAWING NUMBER	B
DWN: OMAR A. VALDEZ	300100107424	REV

SHT. 1 OF 1

**DIMENSIONS IN INCHES  
 THIRD ANGLE PROJECTION**