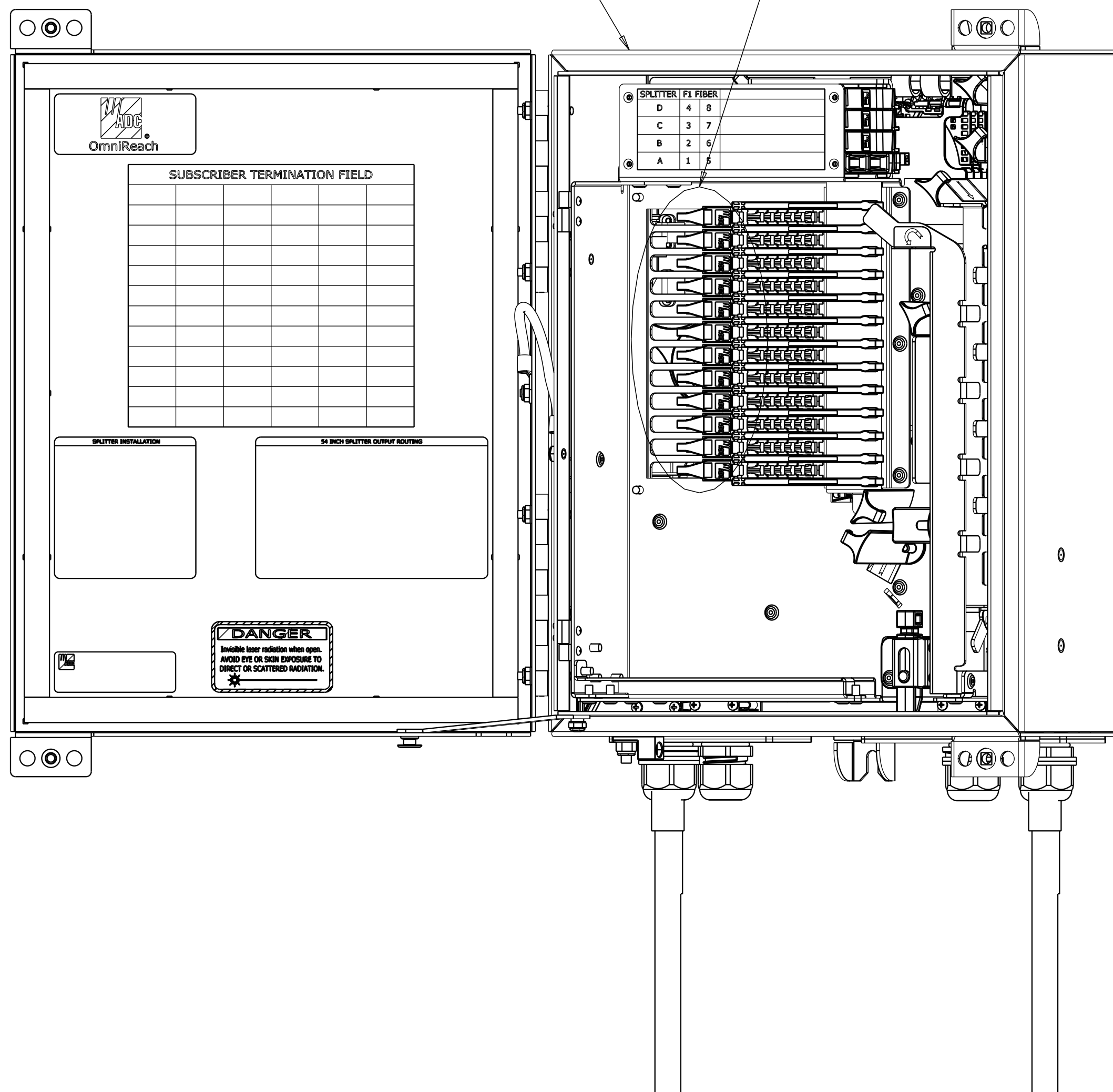
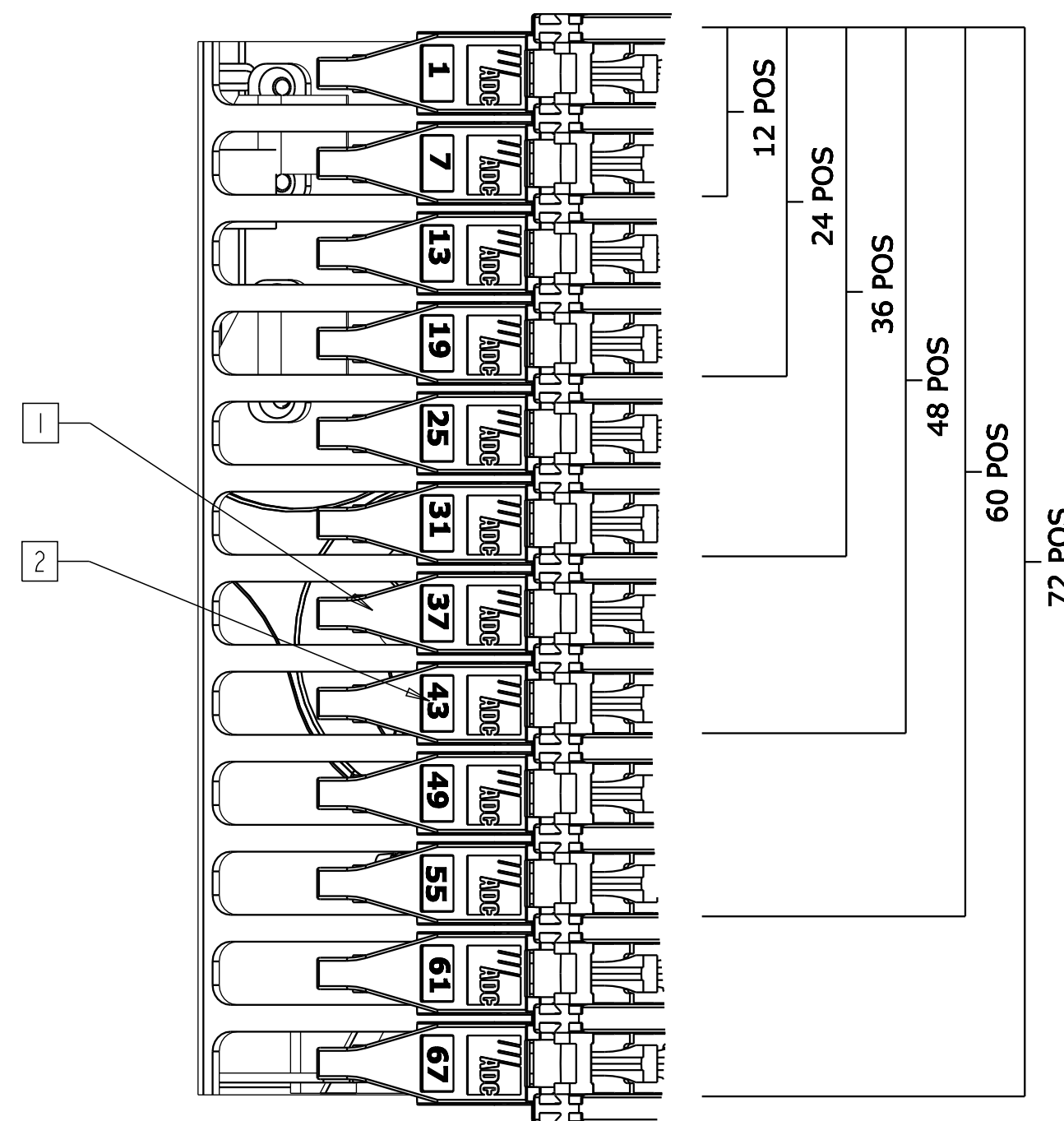


CABINET IS SHOWN FOR REFERENCE ONLY

SEE DETAIL A

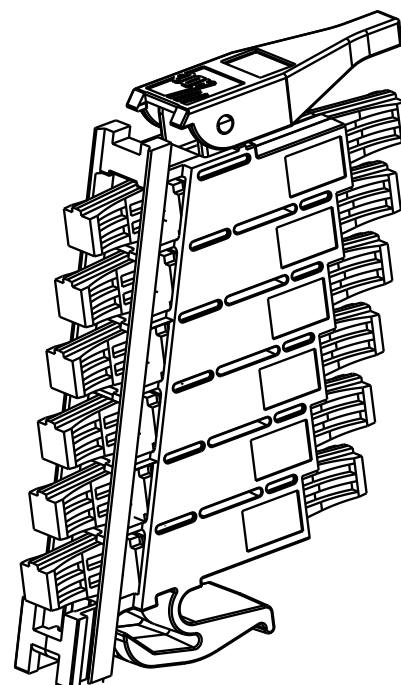


REV	MCO	DWN	DATE
B	40022799MCO	JST	26-JUN-15
C	40032750MCO	JUM	10-AUG-16



DETAIL A

ITEM	DESCRIPTION	QTY	UM
001	ADAPTER PACK	2	EA
002	DISTRIBUTION CABLE	1	EA
003	SPLICE TRAY	1	EA
004	COVER FOR SPLICE TRAY	1	EA
005	SMALL CABLE TIE	1	EA
006	LARGE CABLE TIE	1	EA
007	SPIRAL WRAP	1	INCH
008	ADAPTER PACK LABEL 1-67	1	EA
009	DISTRIBUTION LABEL 1-72	1	EA



ADAPTER PACK - ITEM 001

NOTES:

- 1 LOAD NEW ADAPTER PACKS INTO NEXT AVAILABLE SPOTS.
- 2 IDENTIFY NEW ADAPTER PACKS USING LABELS ITEM 008 PROVIDED.

Catalog # FD3MOD-012JUMO

COMMSCOPE, INC.

© 2016 COMMSCOPE, INC. CONFIDENTIAL NOTICE: THESE DRAWINGS AND SPECIFICATIONS ARE THE PROPRIETARY PROPERTY OF COMMSCOPE, INC. AND MAY BE USED ONLY FOR THE SPECIFIC PURPOSE AUTHORIZED IN WRITING BY COMMSCOPE, INC.		TITLE 12F DISTRIBUTION UPGRADE KIT FOR MINIFDH SPLICE	
ALL DIMS AND TOLERANCES .XX:±N/A ARE INCHES UNLESS .XXX:±N/A OTHERWISE SPECIFIED ANGULAR:±N/A		C SIZE	DRAWING NUMBER 300001777865
DO NOT SCALE DRAWING		ENGR: ARTURO MAYA DWN: NATALIA LOPEZ	SHT. 1 OF 2

DIMENSIONS IN INCHES
THIRD ANGLE PROJECTION

SEE DETAIL C

SEE DETAIL B

ITEMS
003/004

DETAIL B

DETAIL C

NOTES:

- 3 LOAD NEW DISTRIBUTION CABLE ITEM 002 AND SECURE WITH CABLE TIE ITEM 006. CONNECT DISTRIBUTION CABLE FIBERS TO NEW SIX PACKS AND PLACE THE CORRESPONDING DISTRIBUTION LABEL ITEM 009 OVER FANOUT.
- 4 ROUTE DISTRIBUTION CABLE AROUND RADIUS LIMITER, MAKING TWO FULL REVOLUTIONS. MARK CABLE AT SPLICE TRAY ATTACHMENT POINT. MEASURE ADDITIONAL 36" BREAKOUT LENGTH BEYOND ATTACHMENT MARK. CUT REMAINING CABLE BEYOND 36" BREAKOUT LENGTH AND DISCARD. STRIP 36" BREAKOUT LENGTH, PLACE SPIRAL WRAP AROUND THE CABLE AND SECURE IT WITH CABLE TIE ITEM 005. ROUTE BARE FIBER INSIDE SPLICE TRAY.
- 5 PLACE THE CORRESPONDING LABEL ITEM 009 OVER SPLICE TRAY COVER.

COMMSCOPE, INC.

© 2016 COMMSCOPE, INC. CONFIDENTIAL NOTICE: THESE DRAWINGS AND SPECIFICATIONS ARE THE PROPRIETARY PROPERTY OF COMMSCOPE, INC. AND MAY BE USED ONLY FOR THE SPECIFIC PURPOSE AUTHORIZED IN WRITING BY COMMSCOPE, INC.		TITLE 12F DISTRIBUTION UPGRADE KIT FOR MINIFDH SPLICE	
ALL DIMS AND TOLERANCES ARE INCHES UNLESS OTHERWISE SPECIFIED	.XX:±N/A .XXX:±N/A ANGULAR:±N/A	C SIZE	DRAWING NUMBER 300001777865
DO NOT SCALE DRAWING	ENGR: ARTURO MAYA DWN: NATALIA LOPEZ	SHT. 2 OF 2	

DIMENSIONS IN INCHES
THIRD ANGLE PROJECTION