

A

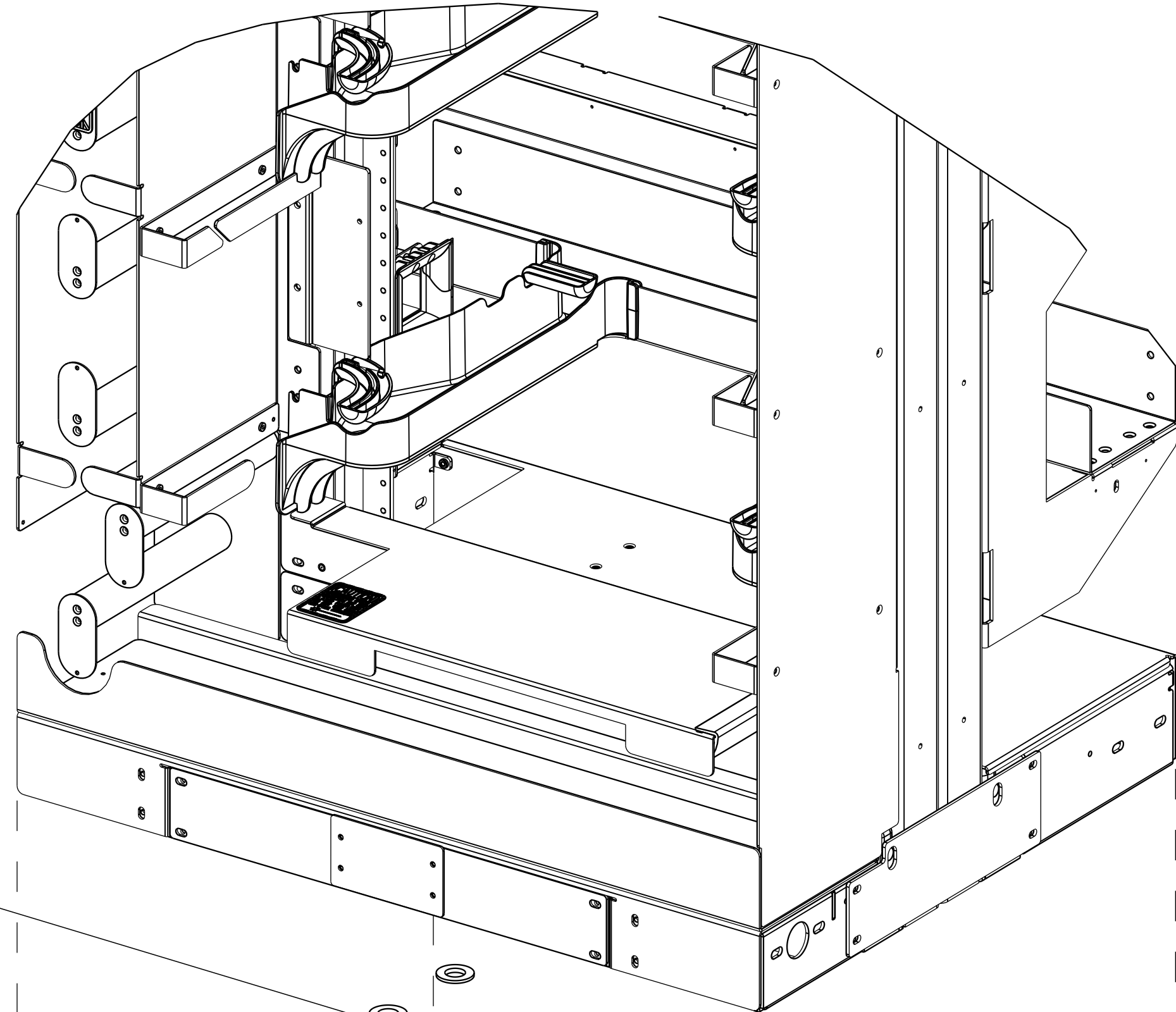
B

C

D

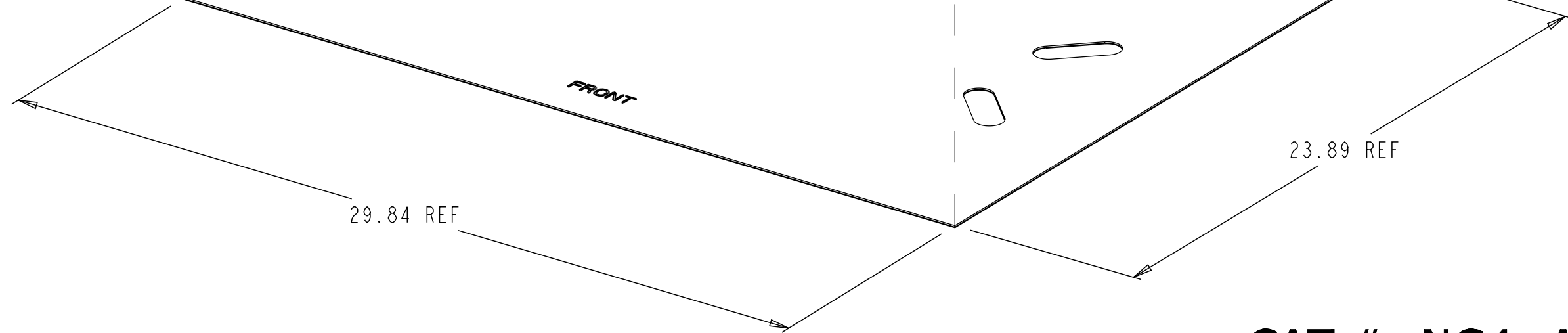
REV.	MCO	DWN	DATE
B	20343211	JCA	19-JUL-13
C	8000018631	OAVL	29-DEC-16

PARTS LIST		
ITEM	DESCRIPTION	QTY
001	ISOLATION PAD	1
002	NYLON SHOULDER WASHER	4



(4)  
002

001



29.84 REF

23.89 REF

FRONT

NOTES:

- 1. ISOLATION PAD CAN BE USED AS AN INSTALLATION TEMPLATE ON CONCRETE OR RAISED FLOOR.
- 2. USE SHOULDER WASHERS TO ISOLATE INSTALLATION BOLTS FROM FRAME.

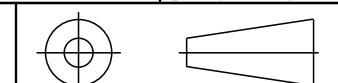
CAT #: NG4- ACCISOPFRM

COMMSCOPE, INC.

© 2016 COMMSCOPE, INC. CONFIDENTIAL  
 NOTICE: THESE DRAWINGS AND SPECIFICATIONS ARE THE PROPRIETARY PROPERTY OF COMMSCOPE, INC. AND MAY BE USED ONLY FOR THE SPECIFIC PURPOSE AUTHORIZED IN WRITING BY COMMSCOPE, INC.  
 ALL DIMS AND TOLERANCES ARE INCHES UNLESS OTHERWISE SPECIFIED  
 .XX:±N/A  
 .XXX:±N/A  
 ANGULAR:±N/A

TITLE KIT, NG4 ISO PAD INSTALLATION DRAWING		DRAWING NUMBER 300001762538	
C SIZE	C REV	ENGR: J. SOLHEID DWN: P. RUDENICK	SHT. 1 OF 1

DO NOT SCALE DRAWING



DIMENSIONS IN INCHES  
THIRD ANGLE PROJECTION

A

B

C