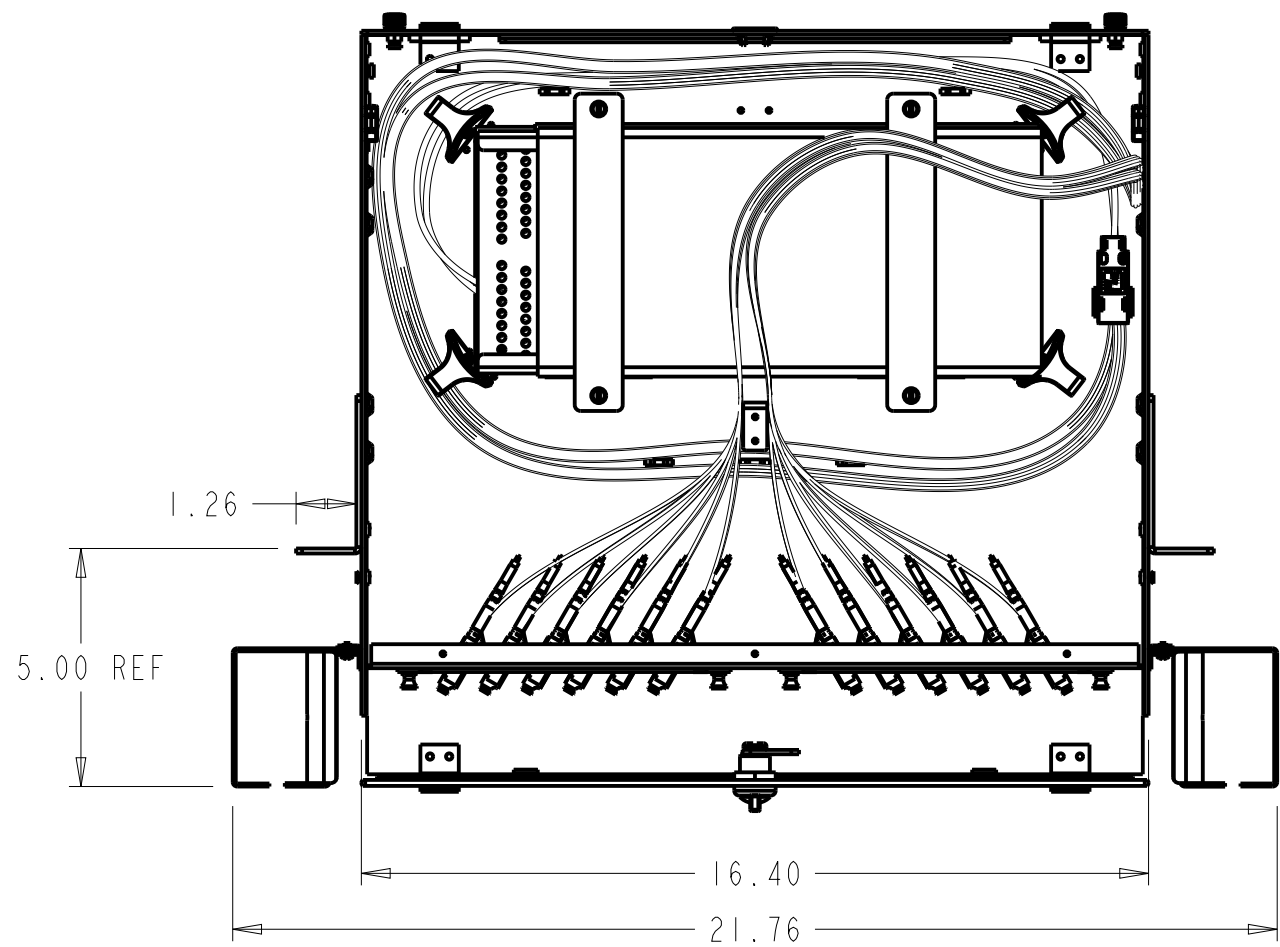
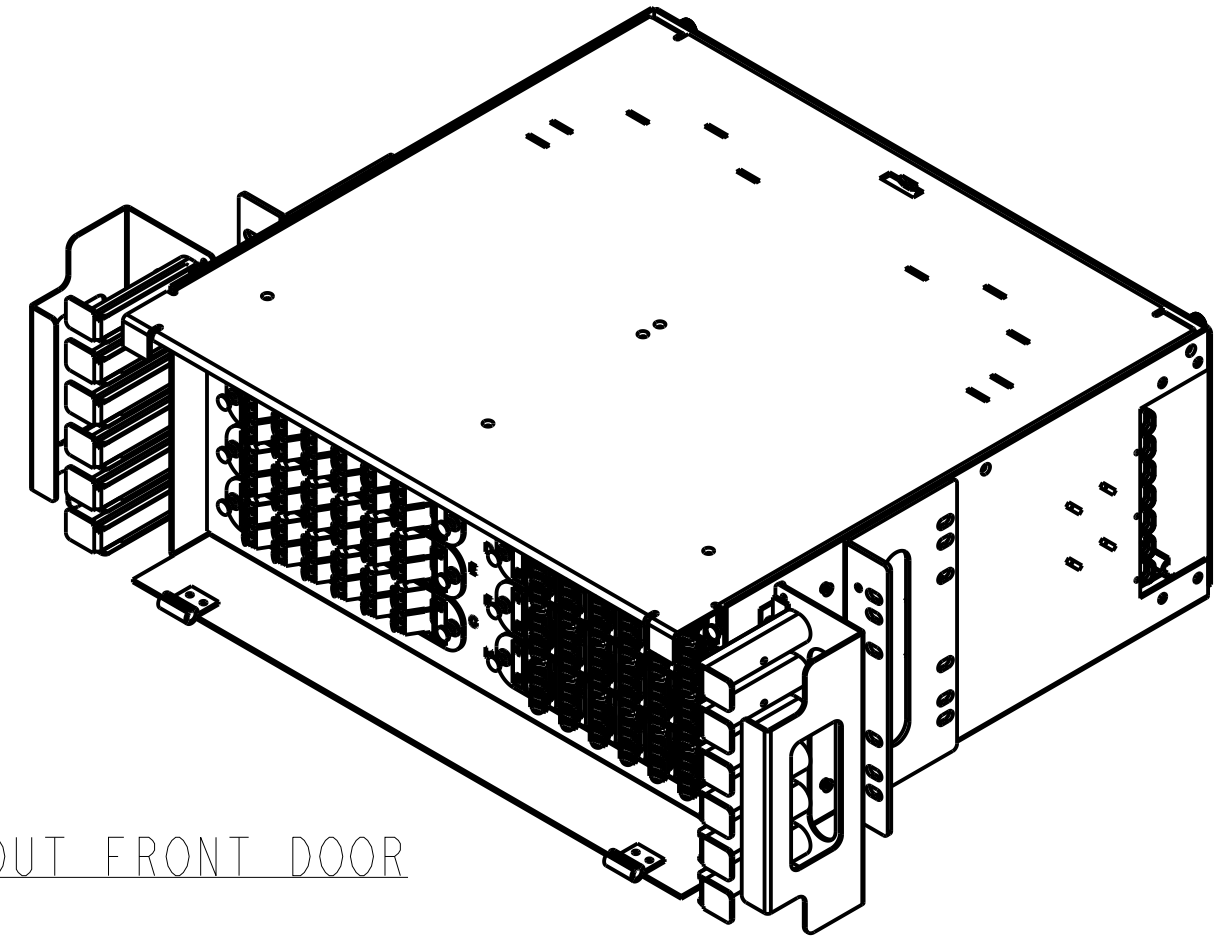


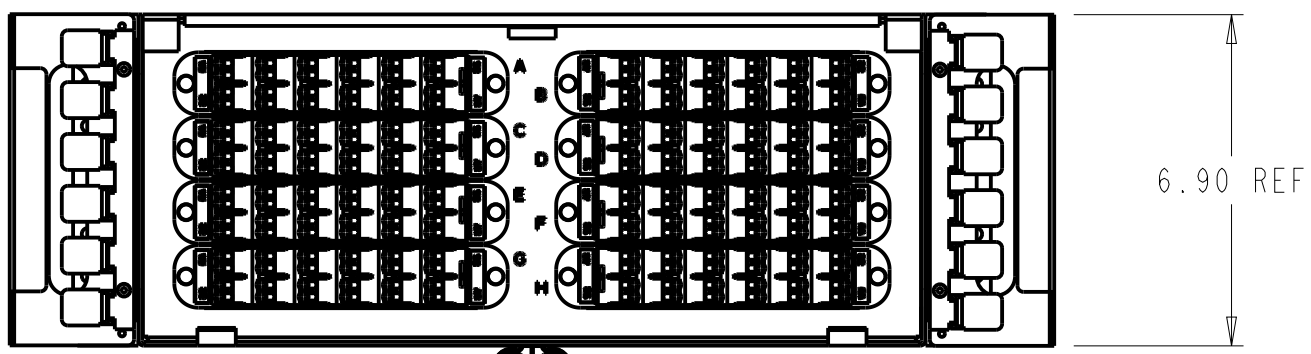
REV	MCO	DWN	DATE
A	20304426	GCC	11-MAY-11
B	8000019215	NERI	25-JAN-17



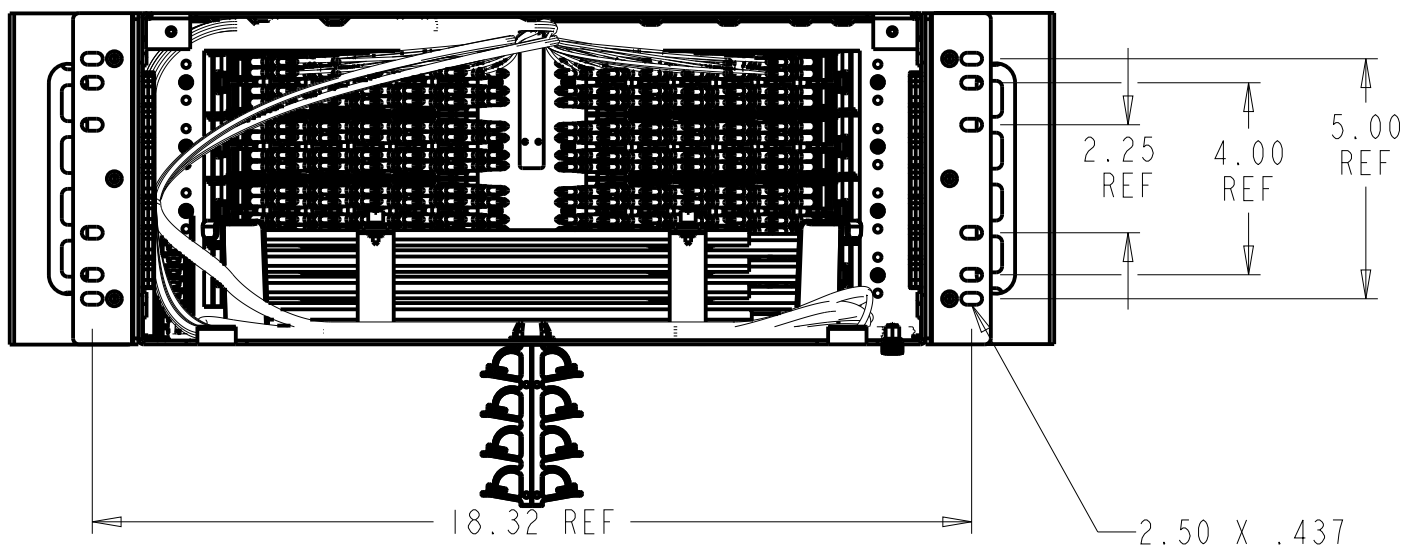
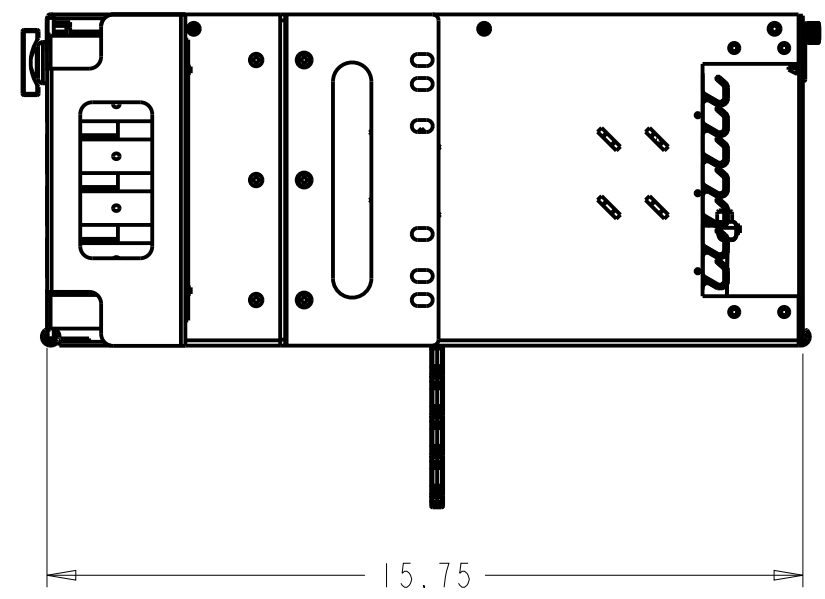
TOP VIEW
SHOWN WITH TOP COVER REMOVED



SHOWN WITHOUT FRONT DOOR



FRONT VIEW - 4RU
(96 POS ADAPTER PLATES SHOWN FOR REFERENCE)
SHOWN WITH FRONT DOOR REMOVED



REAR VIEW
SHOWN WITH REAR DOOR REMOVED

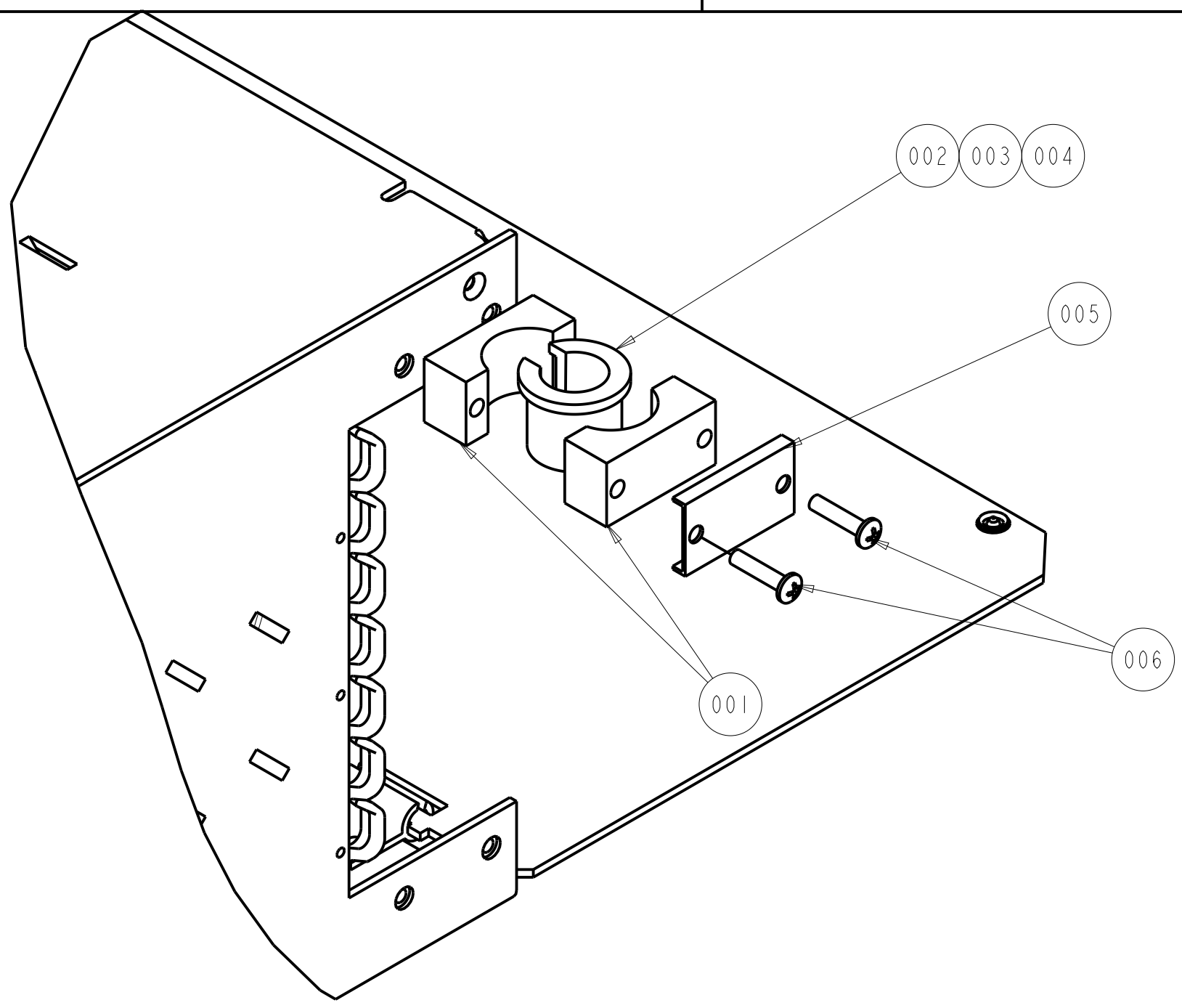
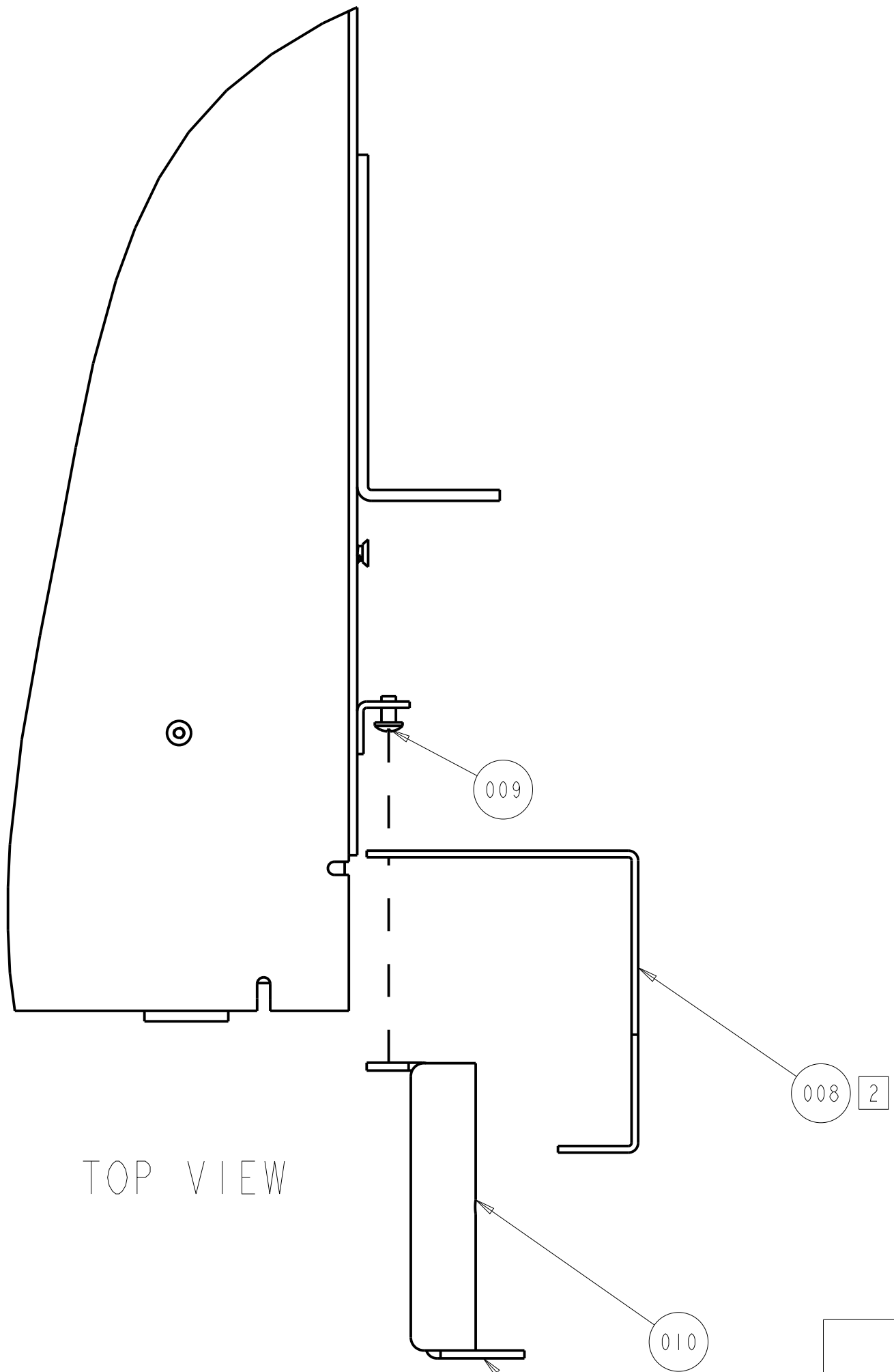
NOTES:

- MODULE CAN BE MOUNTED AT 4" OR 5" DEPTHS IN 19" OR 23" RACKS USING WECCO OR EIA MOUNTING PATTERNS.
- ATTACH CABLE SHIELDS USING #6-32 SCREWS PROVIDED.

COMMSCOPE, INC.

© 2016 COMMSCOPE, INC. CONFIDENTIAL NOTICE: THESE DRAWINGS AND SPECIFICATIONS ARE THE PROPRIETARY PROPERTY OF COMMSCOPE, INC. AND MAY BE USED ONLY FOR THE SPECIFIC PURPOSE AUTHORIZED IN WRITING BY COMMSCOPE, INC.		TITLE 4RU TFP CON MOD INSTALLATION DRAWING	
ALL DIMS AND TOLERANCES ARE INCHES UNLESS OTHERWISE SPECIFIED	.XX:±02 .XXX:±.010 ANGULAR:±2°	C SIZE	DRAWING NUMBER 300001726581
DO NOT SCALE DRAWING	ENGR: LUIS MIGUEL RENTERIA DWN: GUSTAVO CANO	B REV	
		SHT. 1 OF 2	

DIMENSIONS IN INCHES
THIRD ANGLE PROJECTION



PARTS LIST		
ITEM	DESCRIPTION	QTY
001	YOKE CABLE CLAMP	4
002	GROMMET, CABLE CLAMP .70	2
003	GROMMET, CABLE CLAMP .60	2
004	GROMMET, CABLE CLAMP .50	2
005	CABLE CLAMP COVER	2
006	#6-32 X 1.375 SCREW	4
007	GROUND LUG	2
008	FRONT CABLE SHIELD	2
009	#6-32 X .25 SCREW	8
010	VCG EDGE PROTECTOR	12
012	VCG BRACKET	2
013	ZIP TIES	20
014	#12-24 SCREW	4
015	#12 WASHER	4

PIGTAIL COLOR TABLE B								
POSITION								COLOR
1	13	25	37	49	61	73	85	BLUE
2	14	26	38	50	62	74	86	ORANGE
3	15	27	39	51	63	75	87	GREEN
4	16	28	40	52	64	76	88	BROWN
5	17	29	41	53	65	77	89	SLATE
6	18	30	42	54	66	78	90	WHITE
7	19	31	43	55	67	79	91	RED
8	20	32	44	56	68	80	92	BLACK
9	21	33	45	57	69	81	93	YELLOW
10	22	34	46	58	70	82	94	VIOLET
11	23	35	47	59	71	83	95	ROSE
12	24	36	48	60	72	84	96	AQUA

COMMSCOPE, INC.

<small>© 2016 COMMSCOPE, INC. CONFIDENTIAL NOTICE: THESE DRAWINGS AND SPECIFICATIONS ARE THE PROPRIETARY PROPERTY OF COMMSCOPE, INC. AND MAY BE USED ONLY FOR THE SPECIFIC PURPOSE AUTHORIZED IN WRITING BY COMMSCOPE, INC.</small>		TITLE 4RU TFP CON MOD INSTALLATION DRAWING	
<small>ALL DIMS AND TOLERANCES .XX:±02 ARE INCHES UNLESS .XXX:±010 OTHERWISE SPECIFIED ANGULAR:±2°</small>		C SIZE	DRAWING NUMBER 300001726581
DO NOT SCALE DRAWING		ENGR: LUIS MIGUEL RENTERIA DWN: GUSTAVO CANO	B REV SHT. 2 OF 2

DIMENSIONS IN INCHES
 THIRD ANGLE PROJECTION