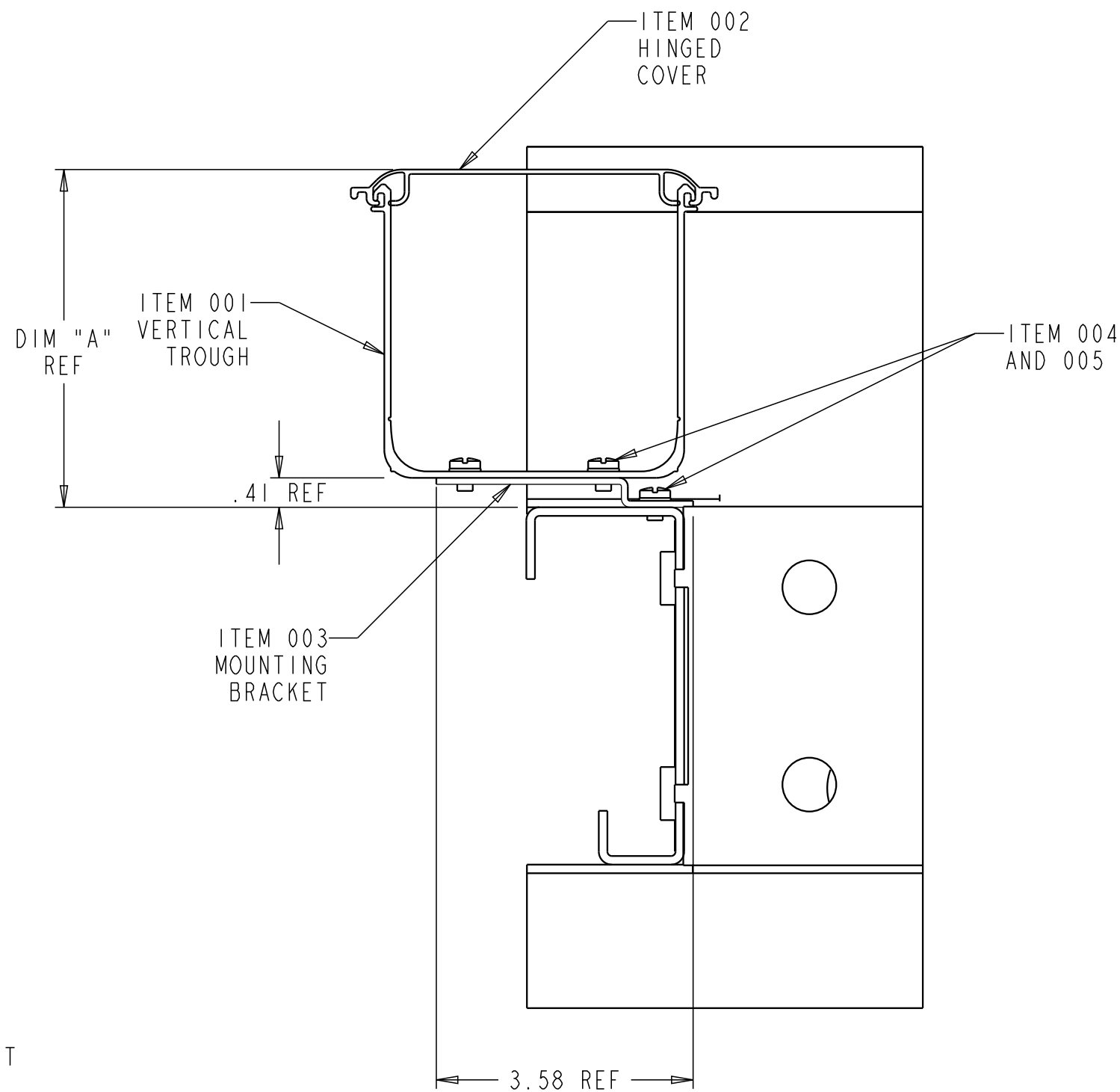


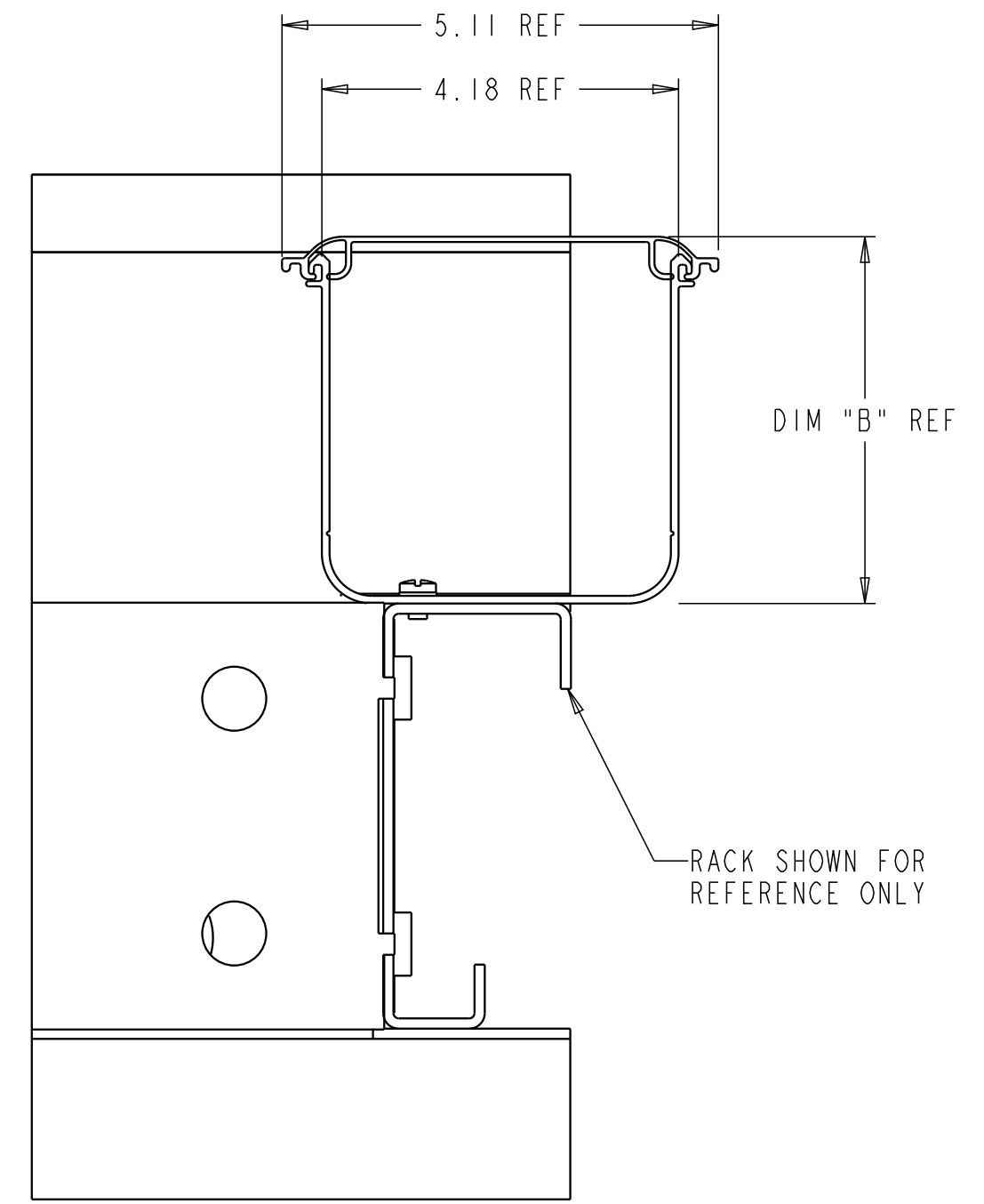
LIST OF PARTS IN KIT

ITEM	DESCRIPTION	QTY
001	4" WIDE VERTICAL DUCT	1
002	4" WIDE HINGED COVER	1
003	MOUNTING BRACKET	4
004	#12-24 SCREWS	24
005	#12 FLAT WASHER	24
006	GROMMET STRIPS	6

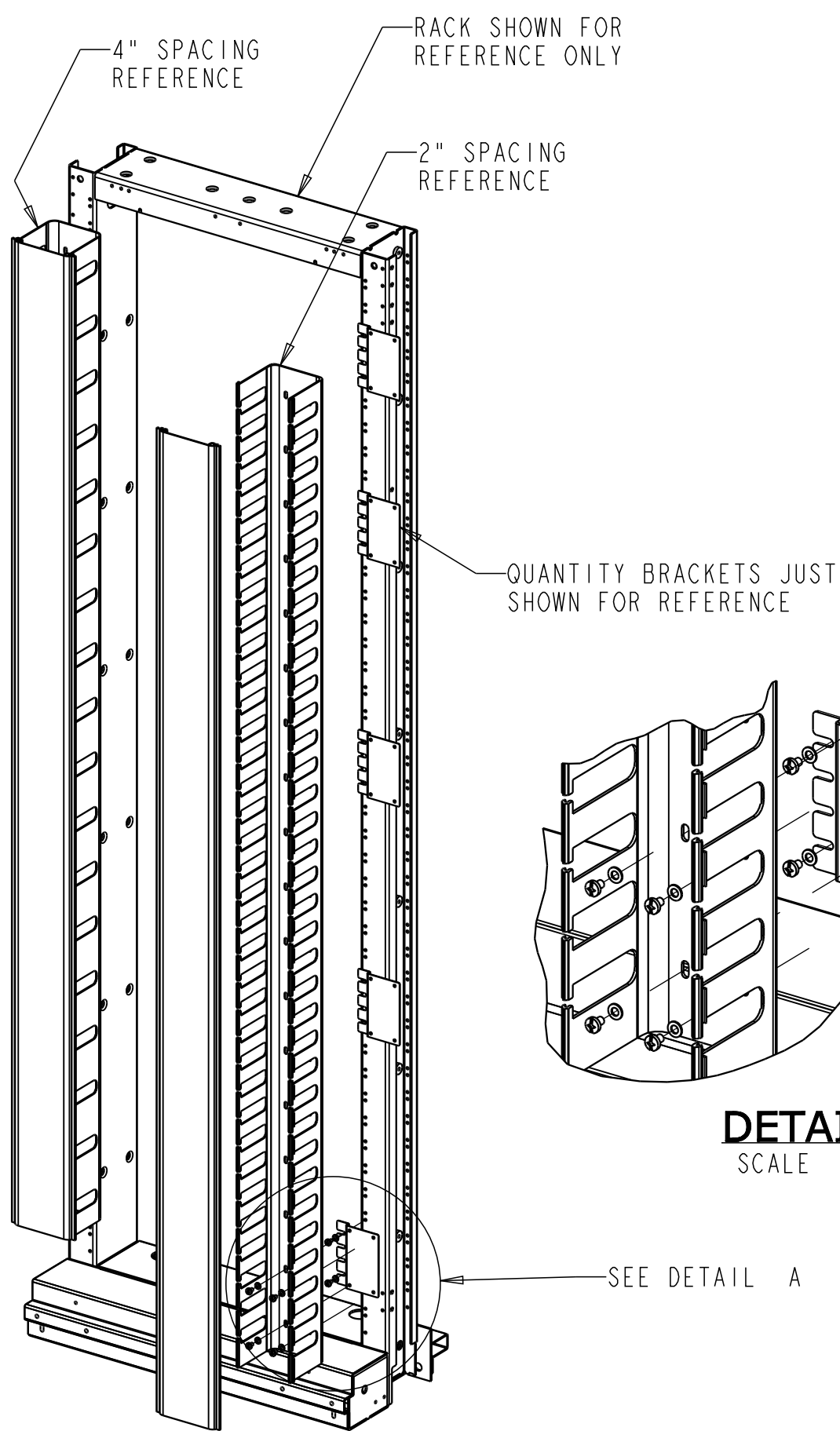
REV	MCO	DWN	DATE
G	40010402MCO	EEG	04-DEC-13
H	40031755MCO	OAVL	24-JUN-16



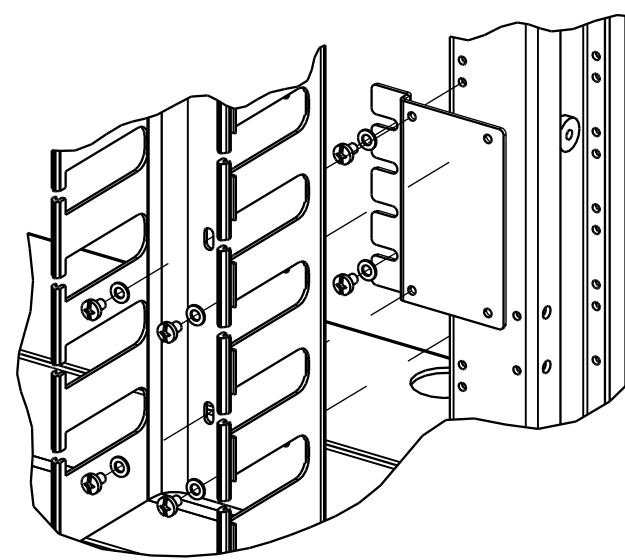
MOUNTING OPTION 1
TOP VIEW
VERTICAL DUCT MOUNTED
USING ITEM 003 MOUNTING BRACKET



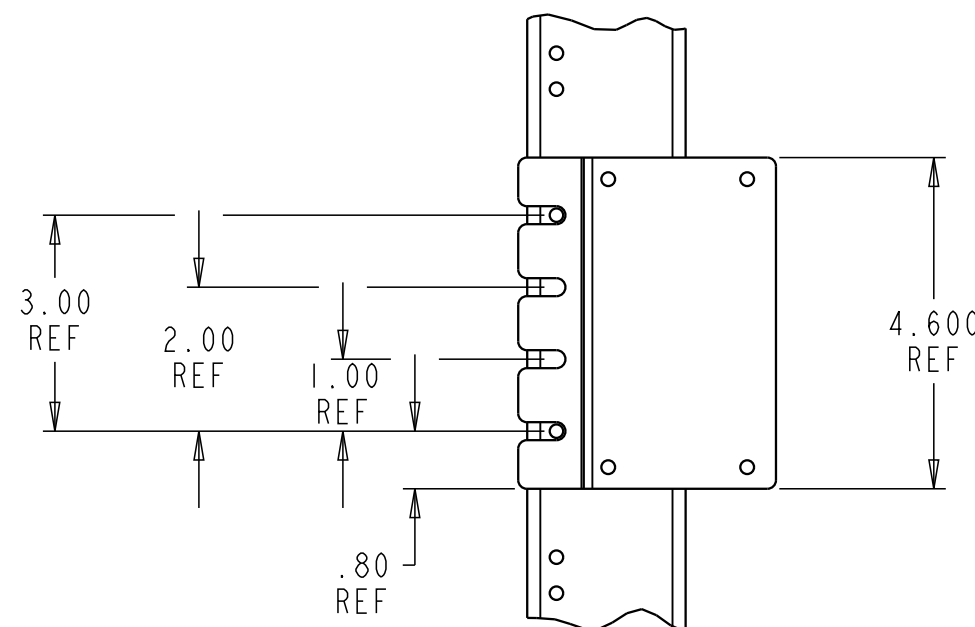
MOUNTING OPTION 2
TOP VIEW
VERTICAL DUCT
MOUNTED DIRECTLY TO RACK



SCALE 0.100



DETAIL A
SCALE 0.250



MOUNTING BRACKET
FRONT VIEW
ITEM 003 FOR 4" WIDE TROUGH
SCALE 0.375

NOTES:

- ONE COPY OF THIS INSTALLATION DRAWING INCLUDED WITH KIT.
- KITS INCLUDE 5 MOUNTING BRACKETS WITH HARDWARE SET TO INSTALL.

FGSB-KTW2-TN	BLACK	2"H X 4"W	2.71	2.30	NONE
FGSB-KTW2-T	BLACK	2"H X 4"W	2.71	2.30	FIGURE 3
FGSB-KTW2-J	BLACK	4"H X 4"W	4.71	4.30	FIGURE 2
FGSB-KTW2-JN	BLACK	4"H X 4"W	4.71	4.30	NONE
FGSB-KTW2-K	BLACK	4"H X 4"W	4.71	4.30	FIGURE 1
FGS-KTW2-JN	YELLOW	4"H X 4"W	4.71	4.30	NONE
FGS-KTW2-TN	YELLOW	2"H X 4"W	2.71	2.30	NONE
FGS-KTW2-T	YELLOW	2"H X 4"W	2.71	2.30	FIGURE 3
2 FGS-KTW2-J	YELLOW	4"H X 4"W	4.71	4.30	FIGURE 2
2 FGS-KTW2-K	YELLOW	4"H X 4"W	4.71	4.30	FIGURE 1
CATALOG NUMBER	COLOR	DUCT SIZE	DIM "A"	DIM "B"	SLOT SPACING

COMMSCOPE, INC.

© 2016 COMMSCOPE, INC. CONFIDENTIAL NOTICE: THESE DRAWINGS AND SPECIFICATIONS ARE THE PROPRIETARY PROPERTY OF COMMSCOPE, INC. AND MAY BE USED ONLY FOR THE SPECIFIC PURPOSE AUTHORIZED IN WRITING BY COMMSCOPE, INC.		TITLE INSTALLATION DRAWING VERTICAL FIBERGUIDE DUCT AND COVER KITS	
ALL DIMS AND TOLERANCES ARE INCHES UNLESS OTHERWISE SPECIFIED	.XX:±.xx .XXX:±.xxx ANGULAR:±N/A	C SIZE	DRAWING NUMBER 1437448_ADC
DO NOT SCALE DRAWING	ENGR: DEREK SAYRES DWN: DEREK SAYRES	H REV	SHT. 1 OF 2

**DIMENSIONS IN INCHES
THIRD ANGLE PROJECTION**

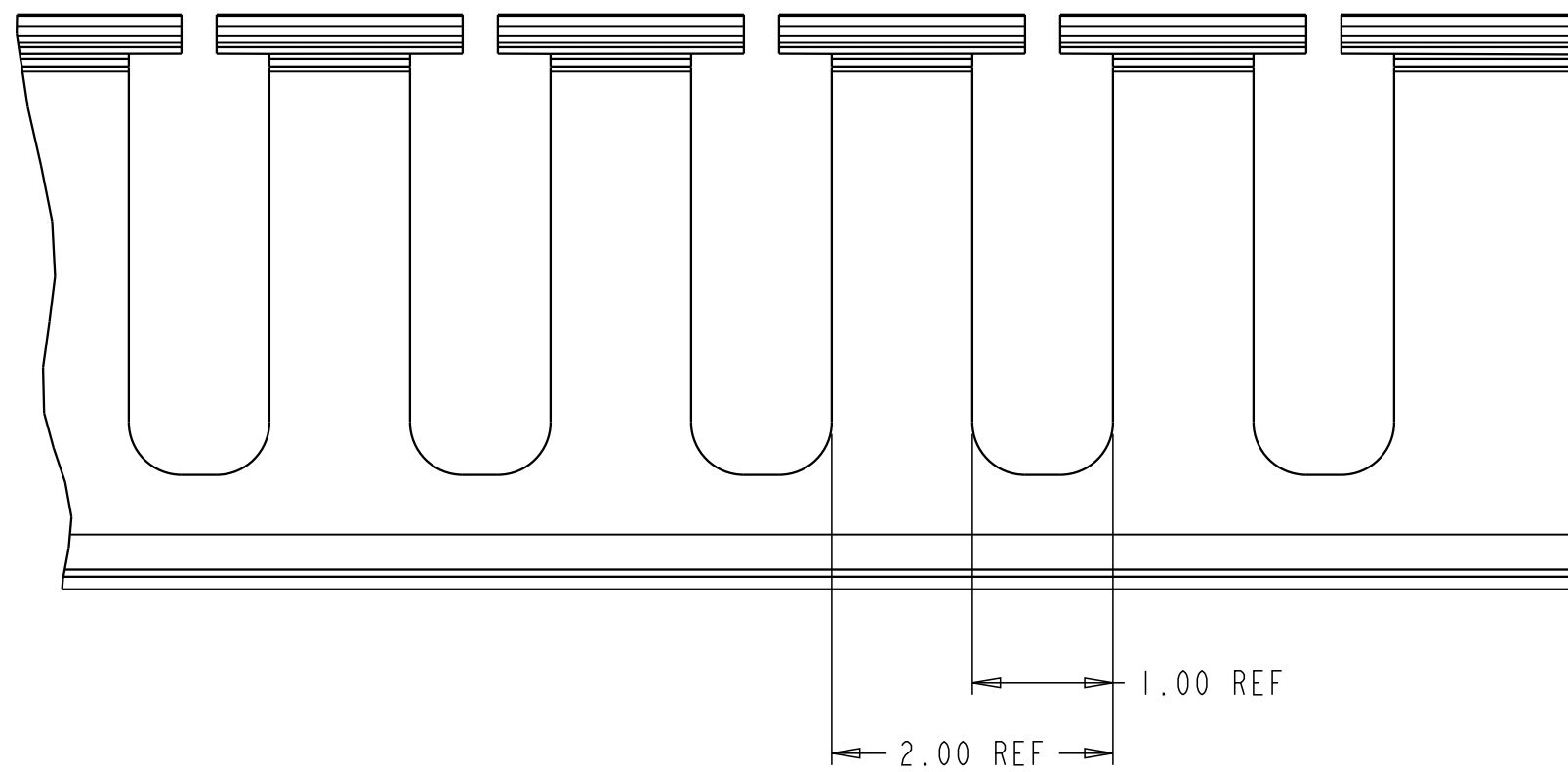


FIGURE 1
2" SPACING

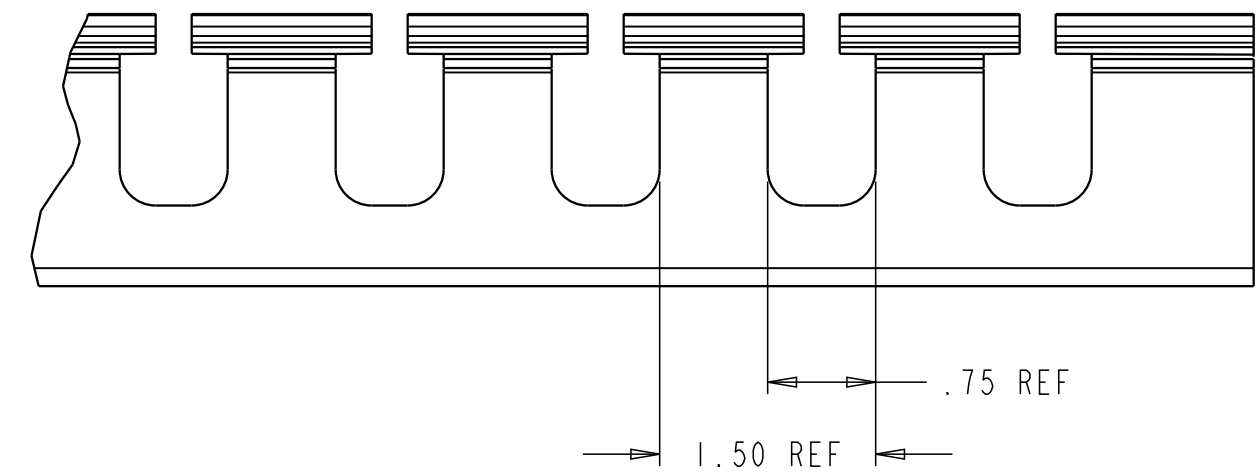


FIGURE 3
1.5" SPACING

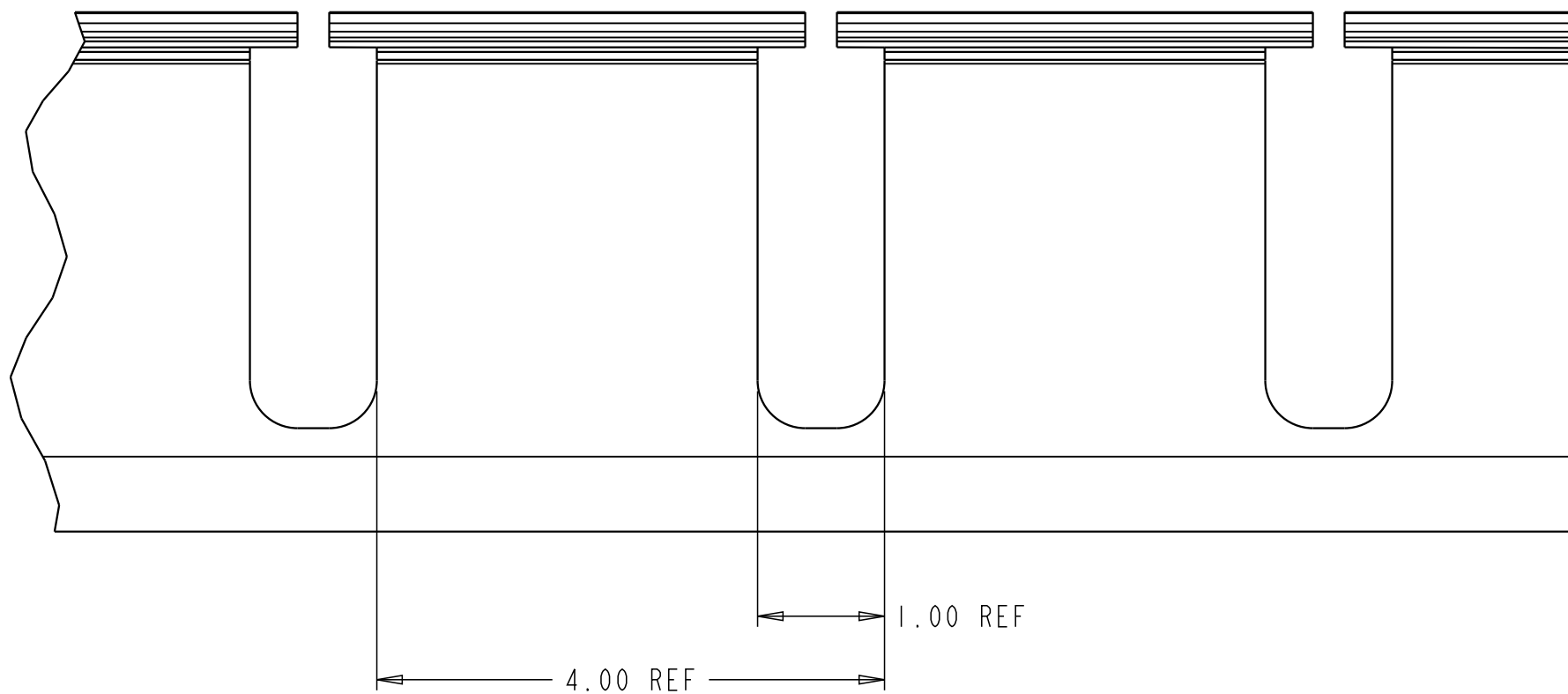
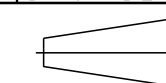
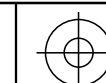


FIGURE 2
4" SPACING

COMMSCOPE, INC.

<small>© 2016 COMMSCOPE, INC. CONFIDENTIAL NOTICE: THESE DRAWINGS AND SPECIFICATIONS ARE THE PROPRIETARY PROPERTY OF COMMSCOPE, INC. AND MAY BE USED ONLY FOR THE SPECIFIC PURPOSE AUTHORIZED IN WRITING BY COMMSCOPE, INC.</small>		TITLE INSTALLATION DRAWING VERTICAL FIBERGUIDE DUCT AND COVER KITS	
<small>ALL DIMS AND TOLERANCES .XX:±.XX ARE INCHES UNLESS .XXX:±.XXX OTHERWISE SPECIFIED ANGULAR:±N/A</small>		DRAWING NUMBER 1437448_ADC	H REV
DO NOT SCALE DRAWING		ENGR: DEREK SAYRES DWN: DEREK SAYRES	SHT. 2 OF 2



**DIMENSIONS IN INCHES
 THIRD ANGLE PROJECTION**