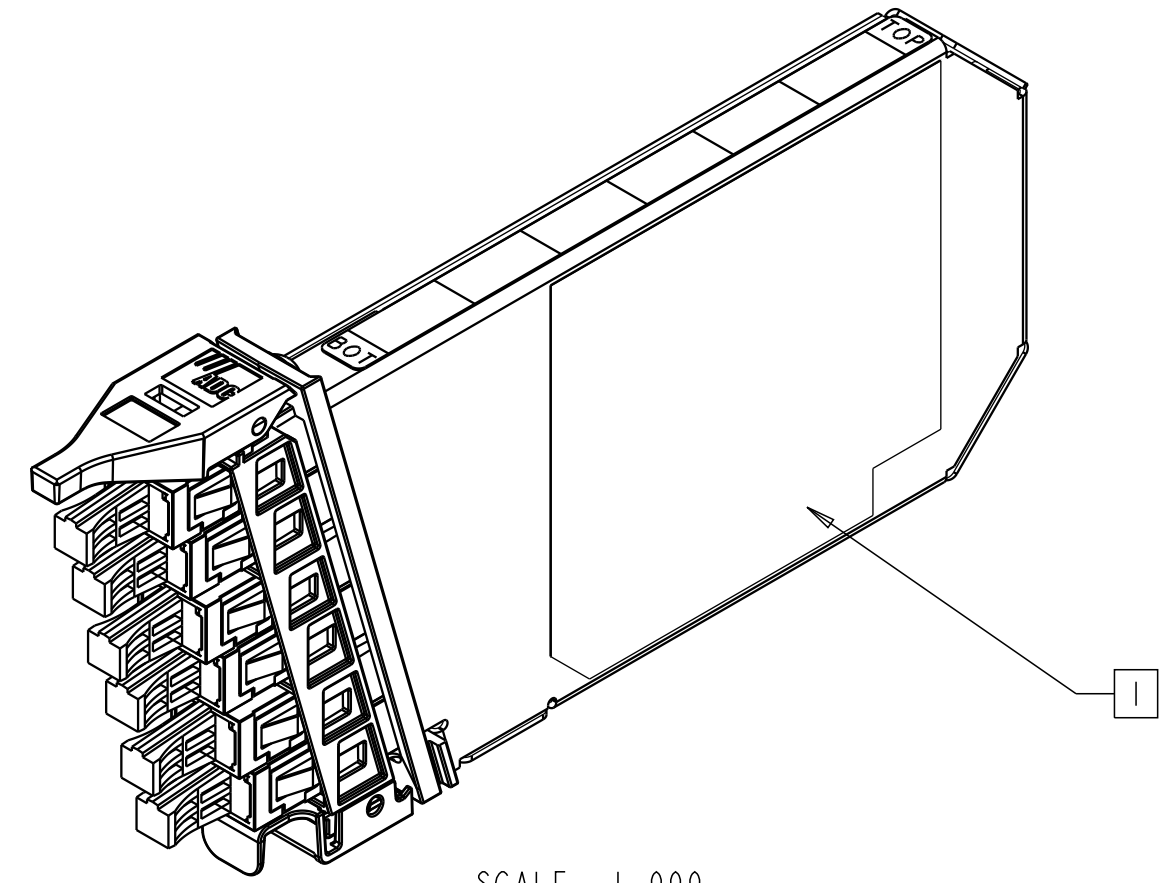
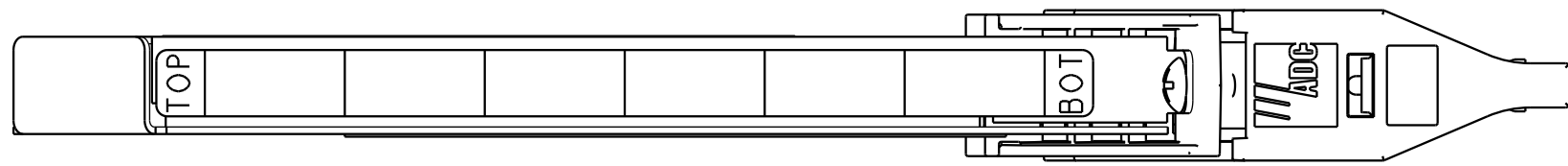
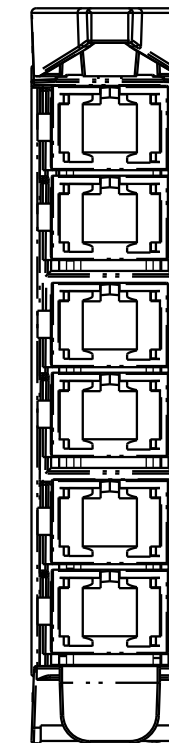
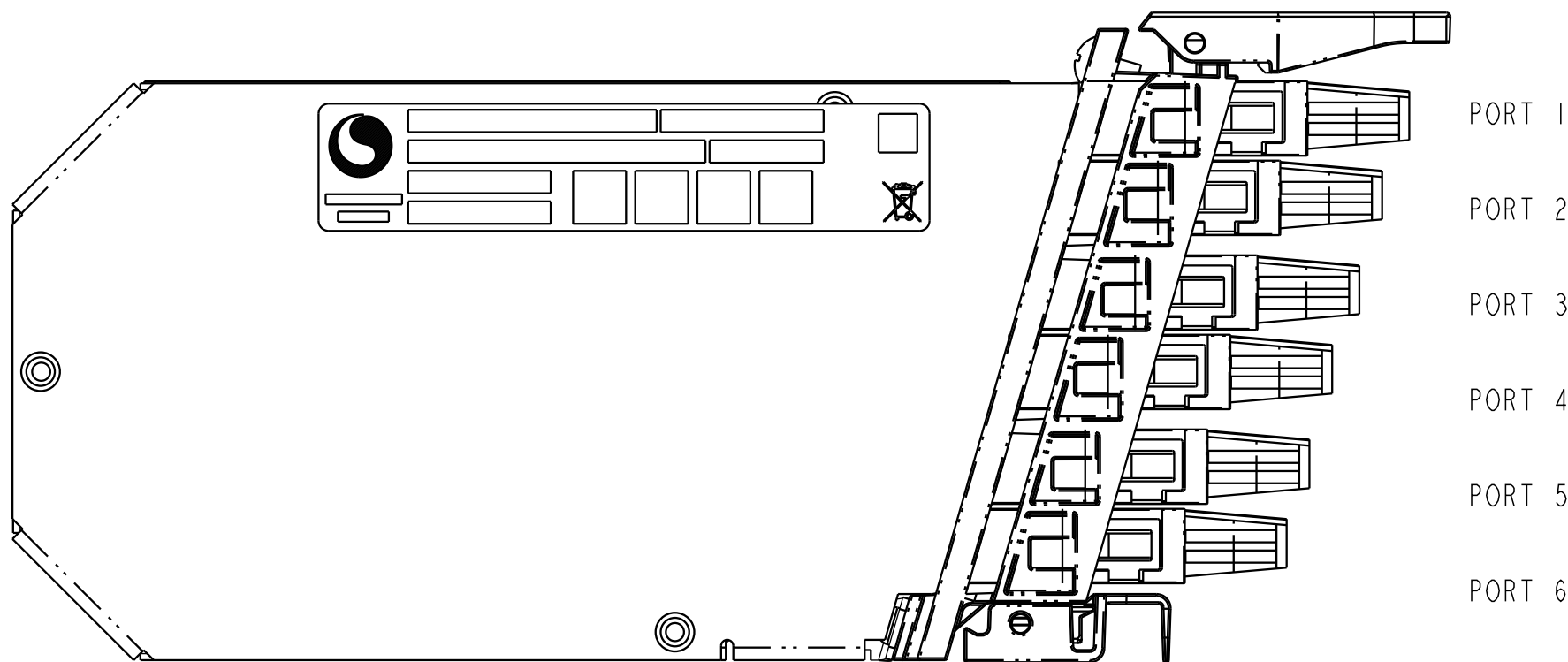


REV.	MCO	DWN	DATE
P	20339726	JUM	26-APR-13
R	8000021182	VFV	27-MAR-17



SCALE 1.000



FMT-MW27A7ABL3A000	PORT (1-6): SMASC
FMT-MW27A7ABE1A000	PORT (1-6): SMASC
FMT-MW27U7UBL3A00	PORT (1-6): SMSC
FMT-MW27A7ABE3A0700	PORT (1,4): SMASC 7M PIGTAIL PORT (2,3,5,6): SMASC
FMT-MW27U7UBE1A0000	PORT (1-6): SMSC
FMT-MW27U7UBG1A0000	PORT (1-6): SMSC
FMT-MW22A2ABM1A0000	PORT (1-6): SMAFC
FMT-MW27A7AAC1A-M	PORT (1-5): SMASC
FMT-MW27A7AAA1A-M	PORT (1-5): SMASC
FMT-MW27A7ABE3A050	PORT (1,4): SMASC 5M PIGTAIL PORT (2,3,5,6): SMASC
FMT-MW27A7ABE3A000	PORT (1-6): SMASC
FMT-MW27A7ABM3A00	PORT (1-6): SMASC
FMT-MW27A7ABM1A0000	PORT (1-6): SMASC
FMT-MW27A7AAE3A0000	PORT (1-3): SMSC
FMT-W27U7UBL1A00	PORT (1-6): SMSC
ADC CATALOG NUMBER	ADAPTER/CONNECTOR TYPE

NOTES:

- 1 LABEL SHOWS CIRCUIT SCHEMATIC.
2. TEST RESULTS INCLUDED WITH MODULE.

© 2016 COMMSCOPE, INC. CONFIDENTIAL NOTICE: THESE DRAWINGS AND SPECIFICATIONS ARE THE PROPRIETARY PROPERTY OF COMMSCOPE, INC. AND MAY BE USED ONLY FOR THE SPECIFIC PURPOSE AUTHORIZED IN WRITING BY COMMSCOPE, INC.		TITLE FMT (WDM) MICROVAM INSTALLATION DRAWING	
ALL DIMS AND TOLERANCES ARE INCHES UNLESS OTHERWISE SPECIFIED	.XX:±N/A .XXX:±N/A ANGULAR:±N/A	C SIZE DRAWING NUMBER 1332306_ADC	R REV
DO NOT SCALE DRAWING	ENGR: G. GARCIA DWN: G. GARCIA	SHT. 1 OF 1	

COMMSCOPE, INC.

DIMENSIONS IN INCHES
THIRD ANGLE PROJECTION