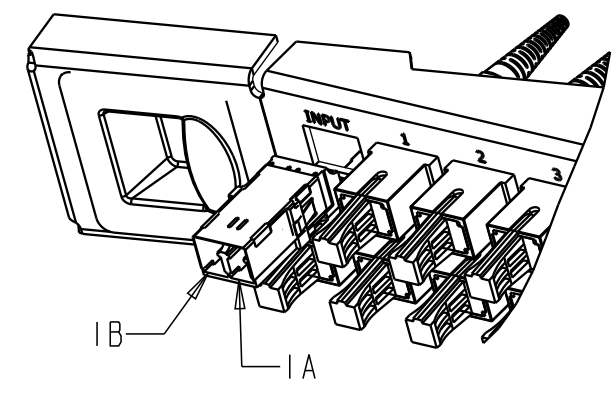
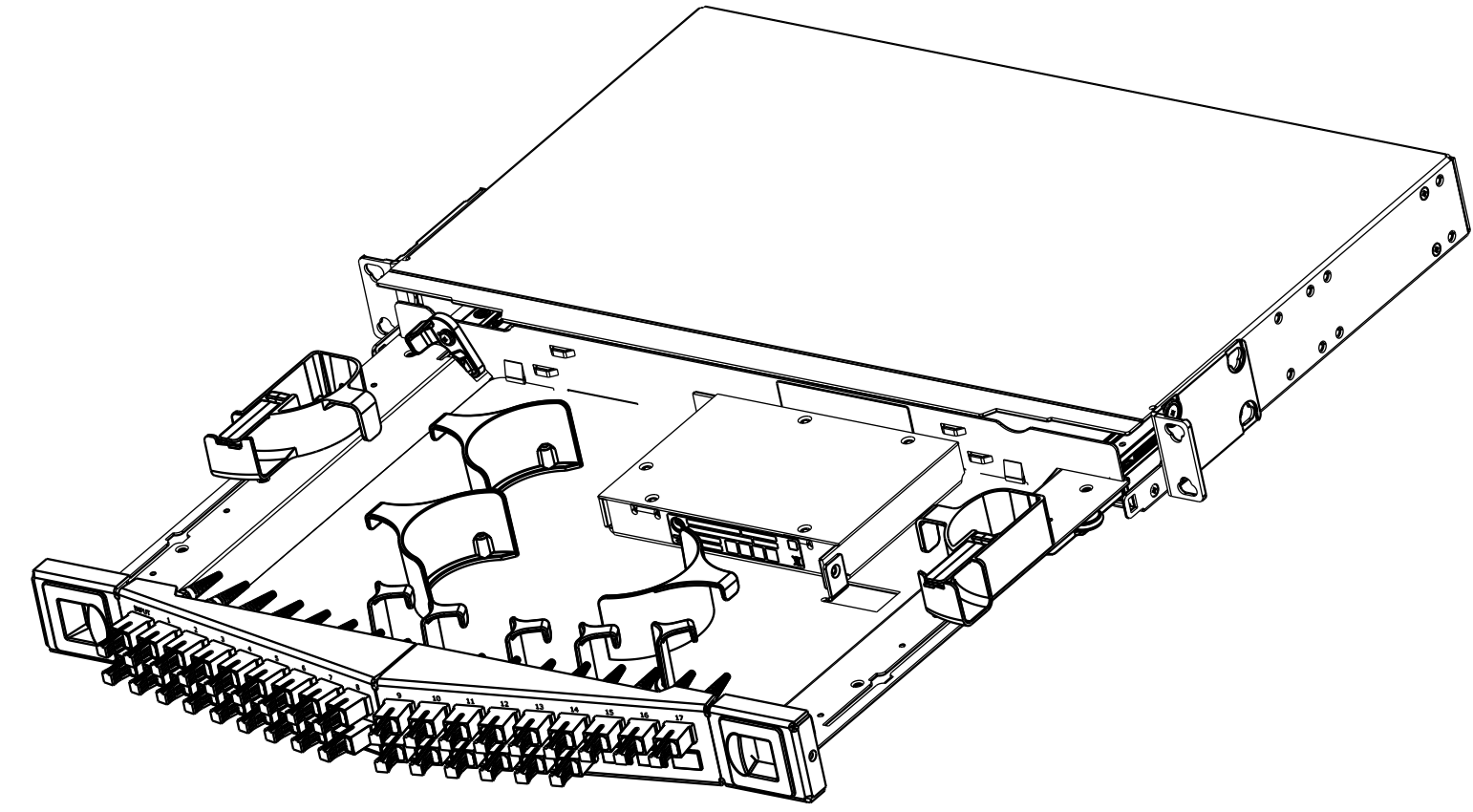
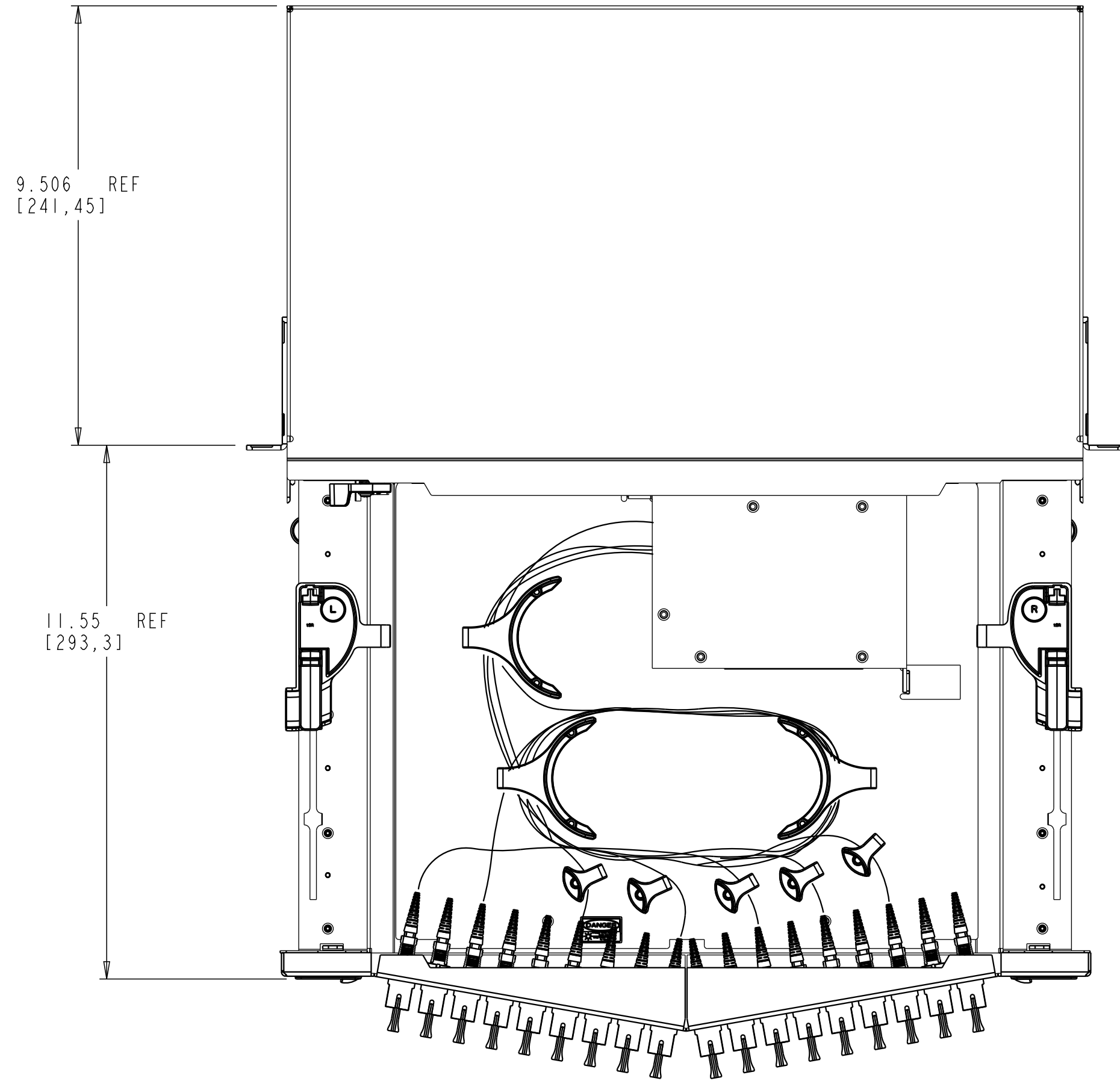
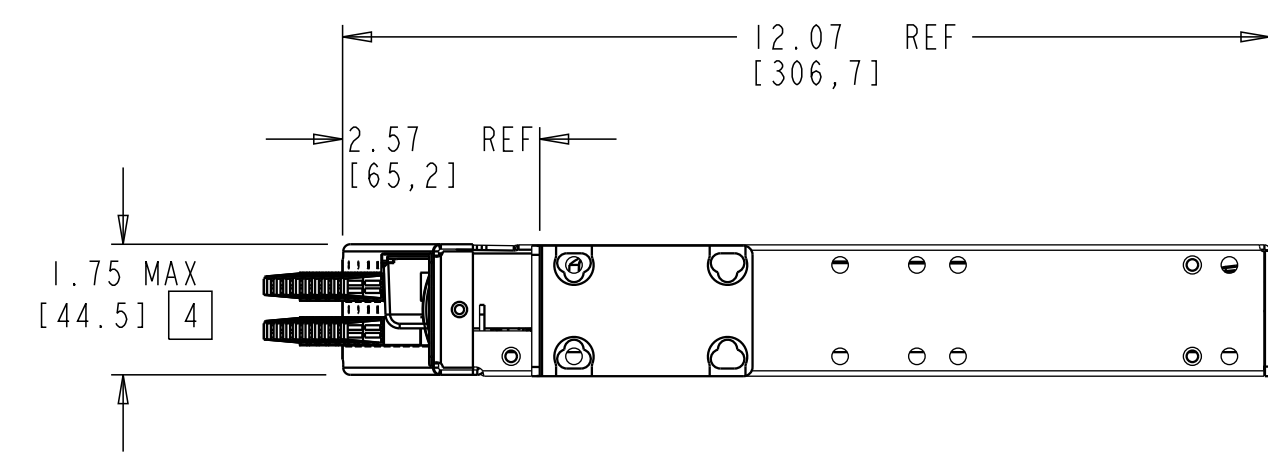
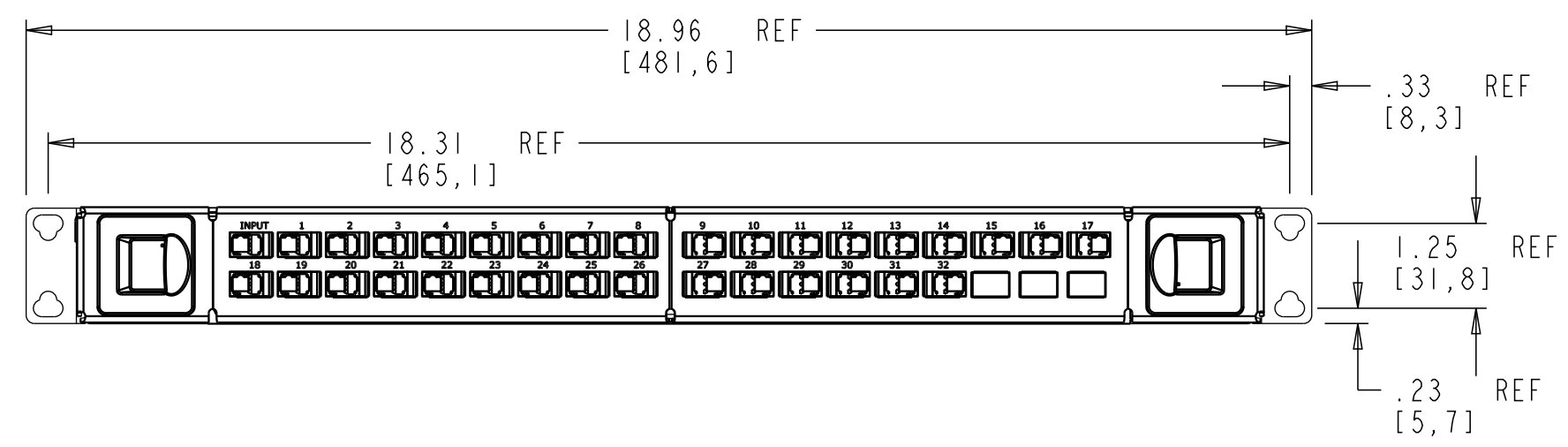


REV.	MCO	DWN	DATE
AE	40016607MCO	GGL	05-SEP-14
AF	40032778MCO	OAVL	09-AUG-16



5 INPUT LC ADAPTER



DRAWER SHOWN CLOSED FOR REFERENCE ONLY

NOTES:

1. ALL DIMENSIONS ARE IN INCHES [mm] UNLESS NOTED.
2. REMOVE KURLY-LOCS FROM PLATE AND USE TO BUNDLE FIBERS AS NECESSARY.
3. ASSEMBLE DRAWER IN RACK WITH HARDWARE PROVIDED.

- 4 CRITICAL DIMENSION.
- 5 LC ADAPTER, USE PORT 1B IF ONE INPUT.
- 6 FMT MODULE (1X8) WITH INPUT ATTENUATOR.

COMMSCOPE, INC.

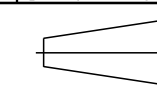
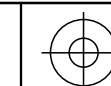
© 2016 COMMSCOPE, INC. CONFIDENTIAL NOTICE: THESE DRAWINGS AND SPECIFICATIONS ARE THE PROPRIETARY PROPERTY OF COMMSCOPE, INC. AND MAY BE USED ONLY FOR THE SPECIFIC PURPOSE AUTHORIZED IN WRITING BY COMMSCOPE, INC.		TITLE	FMD W 1X32 1X8, 1X4 SPLITTER INSTALLATION DRAWING
ALL DIMS AND TOLERANCES ARE INCHES UNLESS OTHERWISE SPECIFIED	.XX:±N/A .XXX:±N/A ANGULAR:±N/A	C SIZE	DRAWING NUMBER 1315750_ADC
DO NOT SCALE DRAWING	ENGR: F. AHMED DWN: F. AHMED	AF REV	SHT. 1 OF 6

DIMENSIONS IN INCHES
THIRD ANGLE PROJECTION

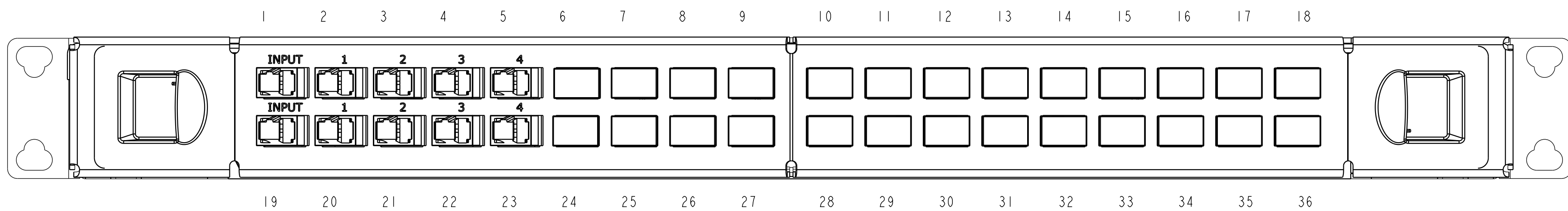
FPS-FMTSP-GNN01	2X32	(1,2) PC/SC ADAPTER	(3-34) PC/SC ADAPTER
OPS-FMTSP-GJJ01	2X32	(1,2) APC/SC ADAPTER	(3-34) APC/SC ADAPTER
OPS-FMTSP-AJJ01	1X32	(1) APC/SC ADAPTER	(2-33) APC/SC ADAPTER
6 FPS-FMTSP-JJJ01-VZ	1X8	(1) APC/SC ADAPTER	(2-9) APC/SC ADAPTER
FPS-FMTSP-JNN03	TRIPLE 1X8	(1,10,19) UPC/LC ADAPTER	(2-9), (11-18), (20-27) UPC/SC ADAPTER
FPS-FMTSP-JNN02	DUAL 1X8	(1, 19) UPC/SC ADAPTER	(2-9), (20-27) UPC/SC ADAPTER
FPS-FMTSP-ANN01	1X32	(1) PC/SC ADAPTER	(2-33) UPC/SC ADAPTER
FPS-FMTSP-NJJ03	(3) 1X4	(1,10,19) APC/SC ADAPTER	(2-5,11-14,20-23) APC/SC ADAPTER
FPS-FMTSP-GJJ01	2X32	(1,2) APC/SC ADAPTER	(3-34) APC/SC ADAPTER
FPS-FMTSP-PJJ01	2X16	(1,2) APC/SC ADAPTER	(3-18) APC/SC ADAPTER
FPS-FMTSP-N/JJJ01	1X4 & 1X8	(1,19) APC/SC ADAPTER	(2-9), (20-23) APC/SC ADAPTER
FPS-FMTSP-JJJ01	1X8	(1) APC/SC ADAPTER	(2-9) APC/SC ADAPTER
FPS-FMTSP-CJJ06	(6) 1X4	(1,6,11,19,24,29) APC/SC ADAPTER	(2-5), (7-10), (12-15), (20-23), (25-28), (30-33) APC/SC ADAPTER
FPS-FMTSP-CJJ02	DUAL 1X16	(1,19) APC/LC ADAPTER	(2-17), (20-35) APC/SC ADAPTER
FPS-FMTSP-JJJ03	TRIPLE 1X8	(1,10,19) APC/LC ADAPTER	(2-9), (11-18), (20-27) APC/SC ADAPTER
FPS-FMTSP-CJJ01	1X16	(1) APC/LC ADAPTER	(2-17) APC/SC ADAPTER
FPS-FMTSP-EJJ01	2X32 WDM	(1,2) APC/SC ADAPTER	(3-34) APC/SC ADAPTER
FPS-FMTSP-JJJ02	DUAL 1X8	(1, 19) APC/SC ADAPTER	(2-9), (20-27) APC/SC ADAPTER
FPS-FMTSP-JKK03	TRIPLE 1X8	(1, 10, 19) APC/E2000 ADAPTER	(2-9), (11-18), (20-27) APC/E2000 ADAPTER
FPS-CWFMTSP-KJJ01	8 CHANNEL CWDM	(1) APC/SC ADAPTER	(2-9) APC/SC ADAPTER
FPS-CWFMTSP-KJJ02	1X8 SPLITER 8 CHANNEL CWDM	(1, 19) APC/SC ADAPTER	(2-9, 20-27) APC/SC ADAPTER
5 FPS-FMTSP-A8N01	1X32	(1) UPC/LC ADAPTER	(2-33) UPC/SC ADAPTER
FPS-FMTSP-NJJ02	DUAL 1X4	(1, 19) APC/SC ADAPTER	(2-5, 20-23) APC/SC ADAPTER
FPS-FMTSP-AJJ01	1X32	(1) APC/SC ADAPTER	(2-33) APC/SC ADAPTER
FPS-FMTSP-NKK01	1X4	(1) APC/E2000 ADAPTER	(2-5) APC/E2000 ADAPTER
FPS-FMTSP-JKK01	1X8	(1) APC/E2000 ADAPTER	(2-9) APC/E2000 ADAPTER
FPS-FMTSP-AKK01	1X32	(1) APC/E2000 ADAPTER	(2-33) APC/E2000 ADAPTER
TE CATALOG NUMBER	SPLITTER TYPE	INPUT PORT DESCRIPTION	OUTPUT PORTS DESCRIPTION

COMMSCOPE, INC.

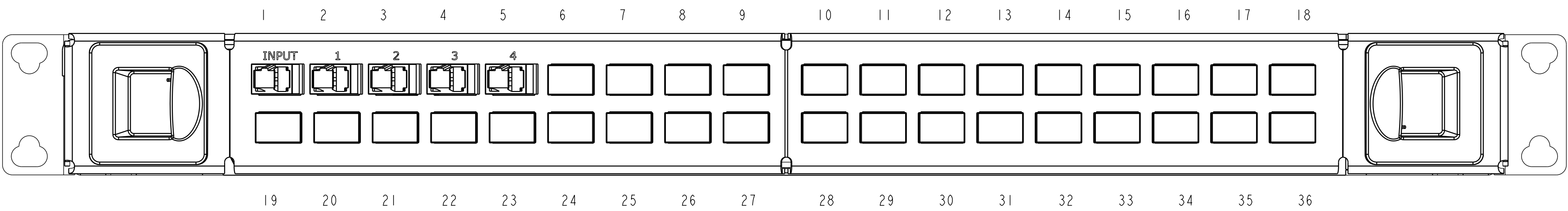
© 2016 COMMSCOPE, INC. CONFIDENTIAL NOTICE: THESE DRAWINGS AND SPECIFICATIONS ARE THE PROPRIETARY PROPERTY OF COMMSCOPE, INC. AND MAY BE USED ONLY FOR THE SPECIFIC PURPOSE AUTHORIZED IN WRITING BY COMMSCOPE, INC.		TITLE	FMD W 1X32 1X8, 1X4 SPLITTER INSTALLATION DRAWING
ALL DIMS AND TOLERANCES .XX:±N/A ARE INCHES UNLESS .XXX:±N/A OTHERWISE SPECIFIED ANGULAR:±N/A	C SIZE	DRAWING NUMBER	1315750_ADC
DO NOT SCALE DRAWING	ENGR: F. AHMED DWN: F. AHMED	SHT. 2 OF 6	AF REV



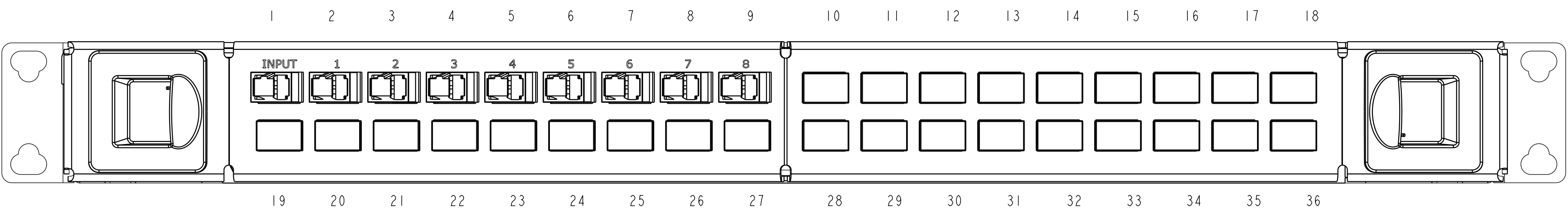
DIMENSIONS IN INCHES
THIRD ANGLE PROJECTION



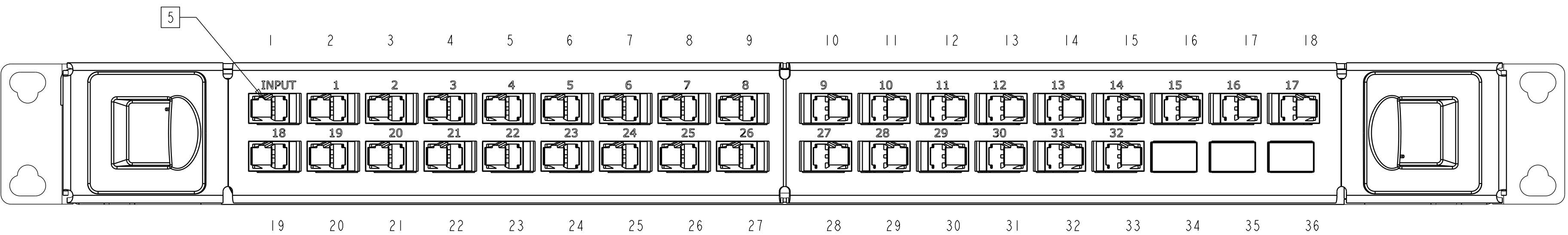
DUAL 1X4 SPLITTER



1X4 SPLITTER



1X8 SPLITTER



1X32 SPLITTER

COMMSCOPE, INC.

© 2016 COMMSCOPE, INC. CONFIDENTIAL
 NOTICE: THESE DRAWINGS AND SPECIFICATIONS
 ARE THE PROPRIETARY PROPERTY OF
 COMMSCOPE, INC. AND MAY BE USED ONLY FOR THE
 SPECIFIC PURPOSE AUTHORIZED IN WRITING BY
 COMMSCOPE, INC.

ALL DIMS AND TOLERANCES .XX:±N/A
 ARE INCHES UNLESS .XXX:±N/A
 OTHERWISE SPECIFIED ANGULAR:±N/A

DO NOT SCALE DRAWING

ENGR: F. AHMED
 DWN: F. AHMED

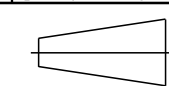
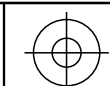
TITLE FMD W 1X32
 1X8, 1X4 SPLITTER
 INSTALLATION DRAWING

DRAWING NUMBER
 1315750_ADC

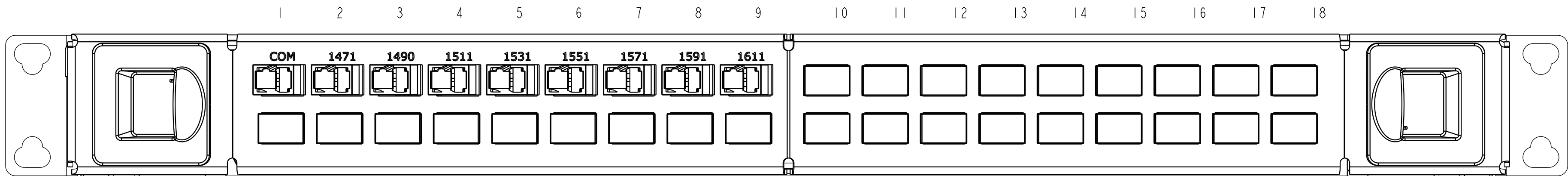
SIZE C

AF
 REV

SHT. 3 OF 6

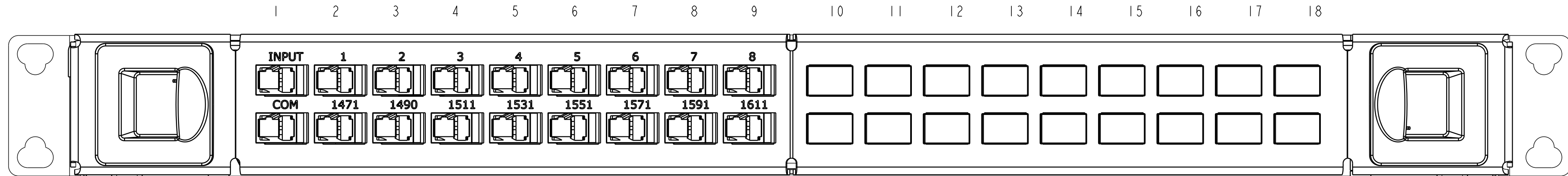


**DIMENSIONS IN INCHES
 THIRD ANGLE PROJECTION**



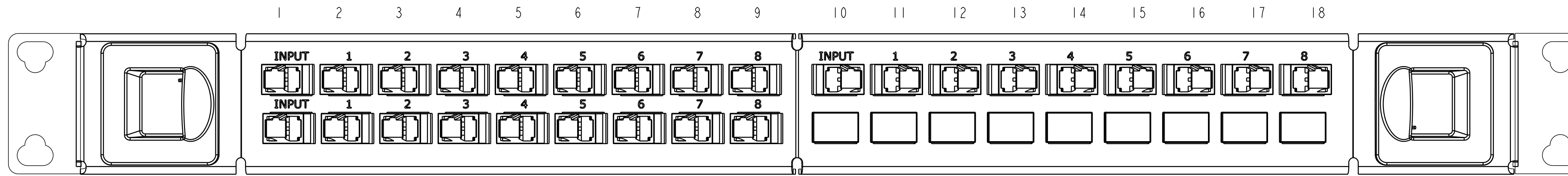
19 20 21 22 23 24 25 26 27 28 29 30 31 32 33 34 35 36

8 CHANNEL CWDM



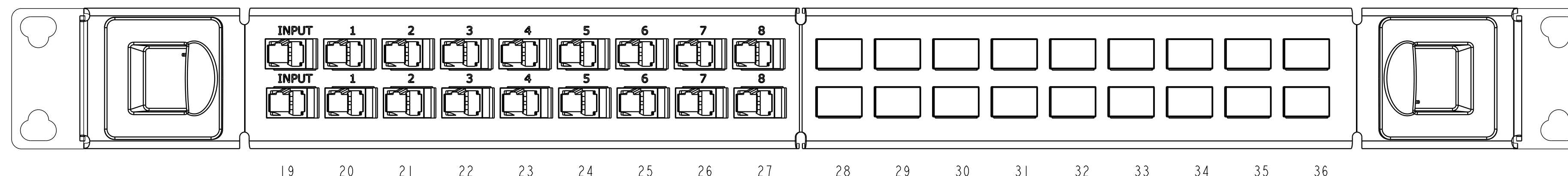
19 20 21 22 23 24 25 26 27 28 29 30 31 32 33 34 35 36

1X8 SPLITTER AND 8 CHANNEL CWDM



19 20 21 22 23 24 25 26 27 28 29 30 31 32 33 34 35 36

TRIPLE 1X8 SPLITTER



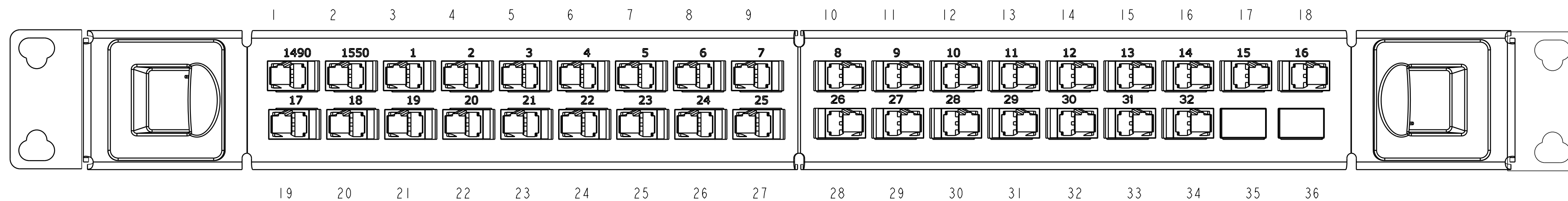
19 20 21 22 23 24 25 26 27 28 29 30 31 32 33 34 35 36

DUAL 1X8 SPLITTER

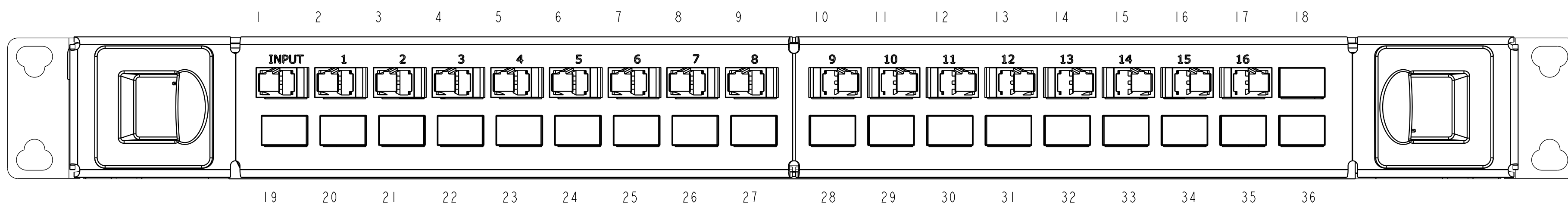
COMMSCOPE, INC.

<small>© 2016 COMMSCOPE, INC. CONFIDENTIAL NOTICE: THESE DRAWINGS AND SPECIFICATIONS ARE THE PROPRIETARY PROPERTY OF COMMSCOPE, INC. AND MAY BE USED ONLY FOR THE SPECIFIC PURPOSE AUTHORIZED IN WRITING BY COMMSCOPE, INC.</small>		TITLE FMD W 1X32 1X8, 1X4 SPLITTER INSTALLATION DRAWING	
<small>ALL DIMS AND TOLERANCES .XX:±N/A ARE INCHES UNLESS .XXX:±N/A OTHERWISE SPECIFIED ANGULAR:±N/A</small>		C SIZE	DRAWING NUMBER 1315750_ADC
DO NOT SCALE DRAWING		ENGR: F. AHMED DWN: F. AHMED	SHT. 4 OF 6

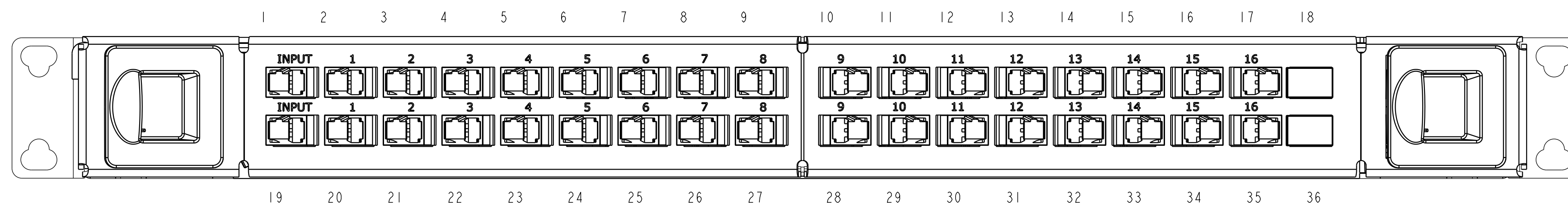
DIMENSIONS IN INCHES
THIRD ANGLE PROJECTION



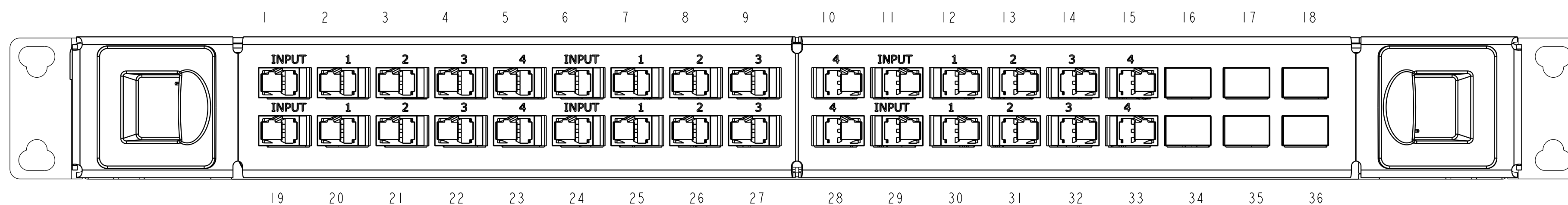
2X32 WDM



1X16 SPLITTER



DUAL 1X16 SPLITTER

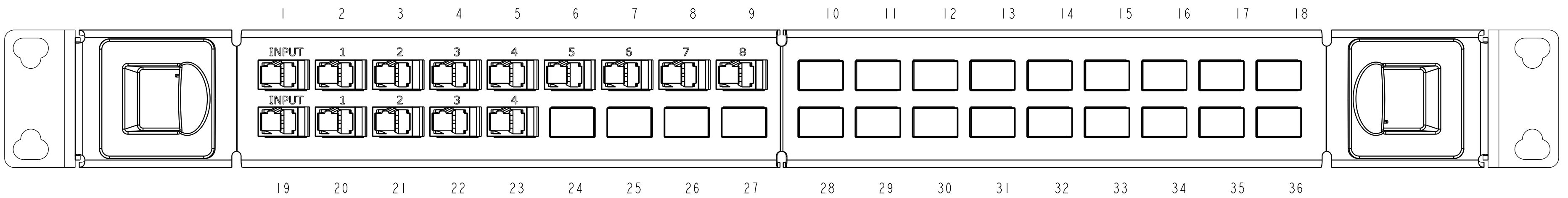


(6) 1X4 SPLITTER

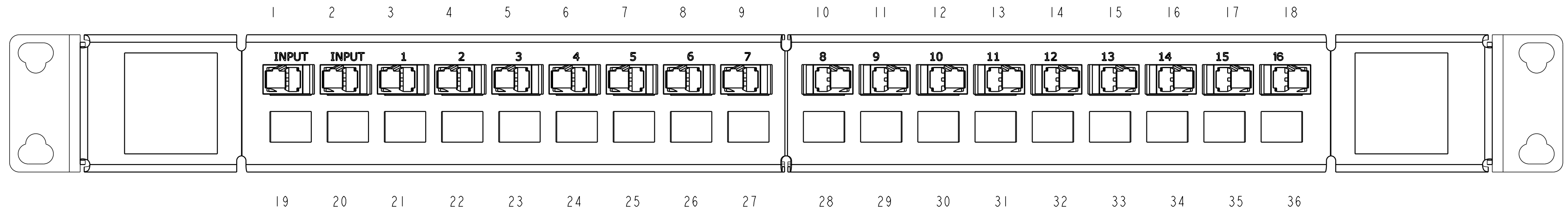
COMMSCOPE, INC.

<small>© 2016 COMMSCOPE, INC. CONFIDENTIAL NOTICE: THESE DRAWINGS AND SPECIFICATIONS ARE THE PROPRIETARY PROPERTY OF COMMSCOPE, INC. AND MAY BE USED ONLY FOR THE SPECIFIC PURPOSE AUTHORIZED IN WRITING BY COMMSCOPE, INC.</small>		TITLE FMD W 1X32 1X8, 1X4 SPLITTER INSTALLATION DRAWING	
<small>ALL DIMS AND TOLERANCES .XX:±N/A ARE INCHES UNLESS .XXX:±N/A OTHERWISE SPECIFIED ANGULAR:±N/A</small>		C SIZE	DRAWING NUMBER 1315750_ADC
DO NOT SCALE DRAWING		ENGR: F. AHMED DWN: F. AHMED	SHT. 5 OF 6

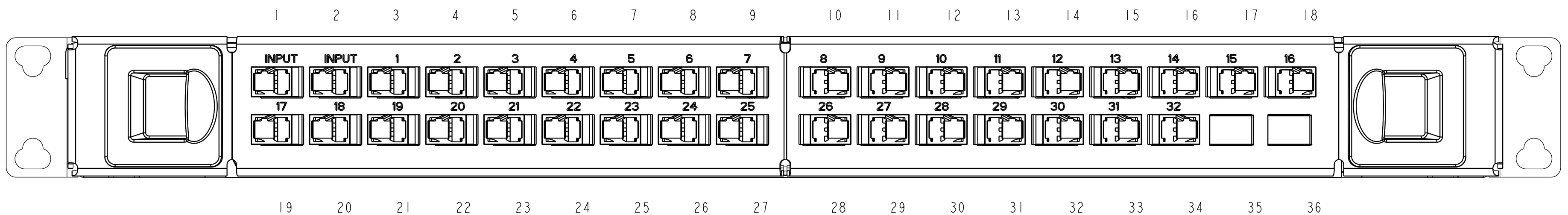

**DIMENSIONS IN INCHES
 THIRD ANGLE PROJECTION**



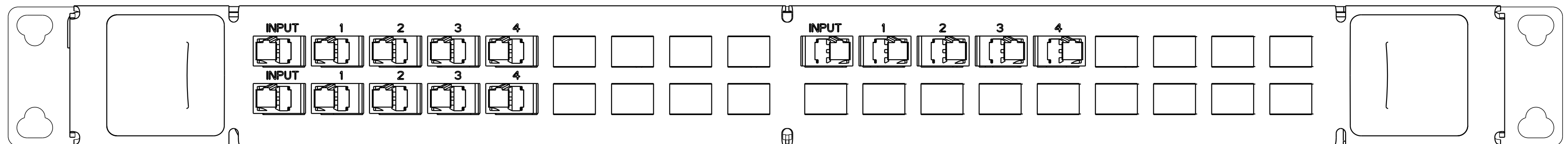
1X4 AND 1X8



2X16



2X32



(3) 1X4

COMMSCOPE, INC.

<small>© 2016 COMMSCOPE, INC. CONFIDENTIAL NOTICE: THESE DRAWINGS AND SPECIFICATIONS ARE THE PROPRIETARY PROPERTY OF COMMSCOPE, INC. AND MAY BE USED ONLY FOR THE SPECIFIC PURPOSE AUTHORIZED IN WRITING BY COMMSCOPE, INC.</small>	TITLE FMD W 1X32 1X8, 1X4 SPLITTER INSTALLATION DRAWING		AF REV
	ALL DIMS AND TOLERANCES .XX:±N/A ARE INCHES UNLESS .XXX:±N/A OTHERWISE SPECIFIED ANGULAR:±N/A	C SIZE	
DO NOT SCALE DRAWING	ENGR: F. AHMED DWN: F. AHMED	SHT. 6 OF 6	

DIMENSIONS IN INCHES
 THIRD ANGLE PROJECTION