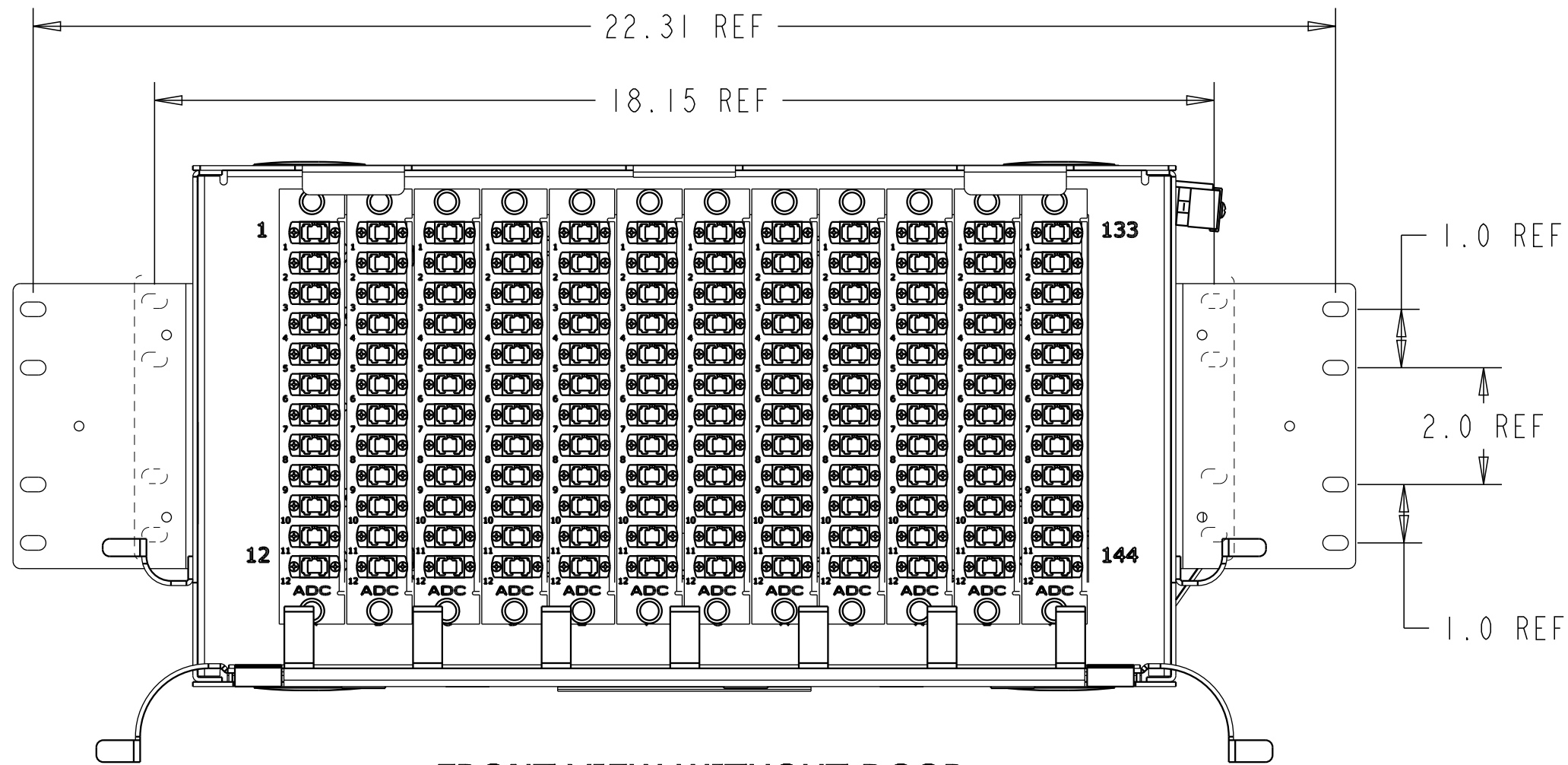
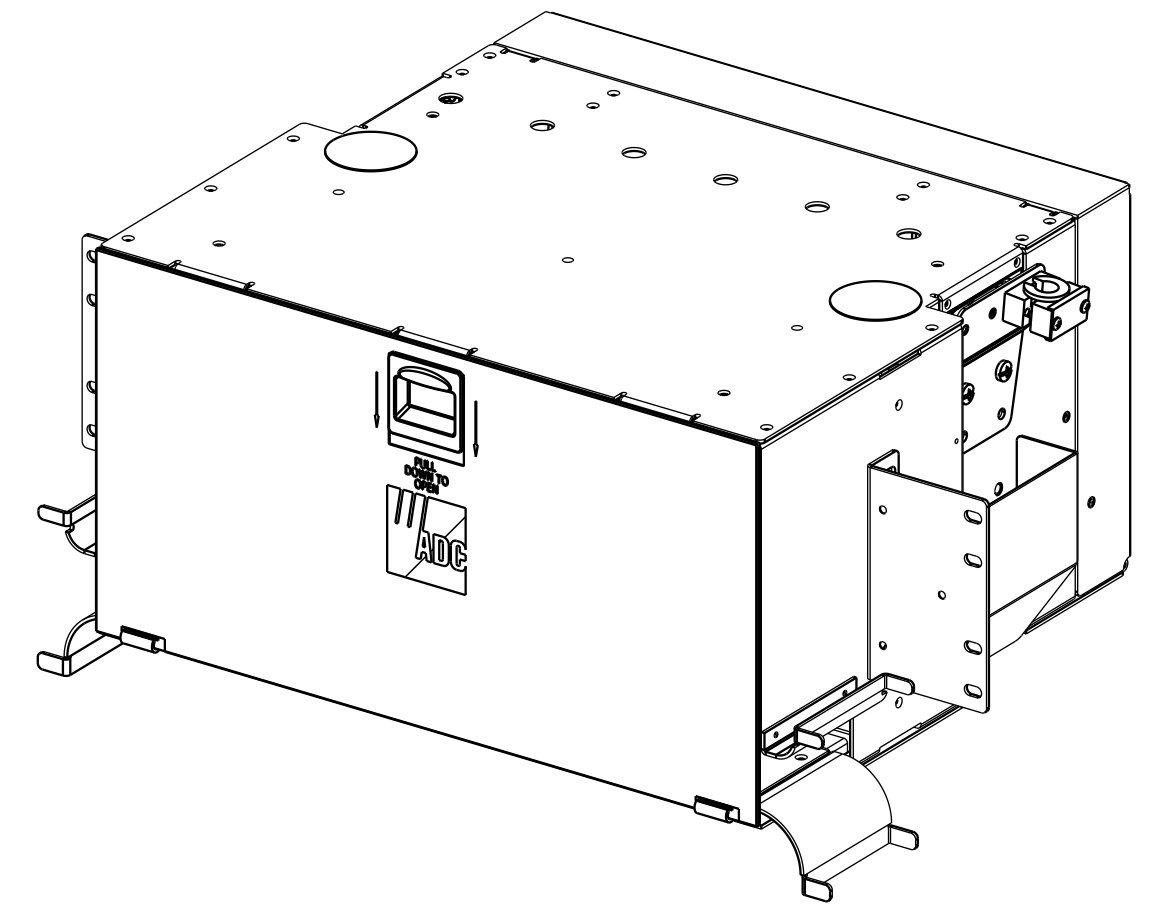
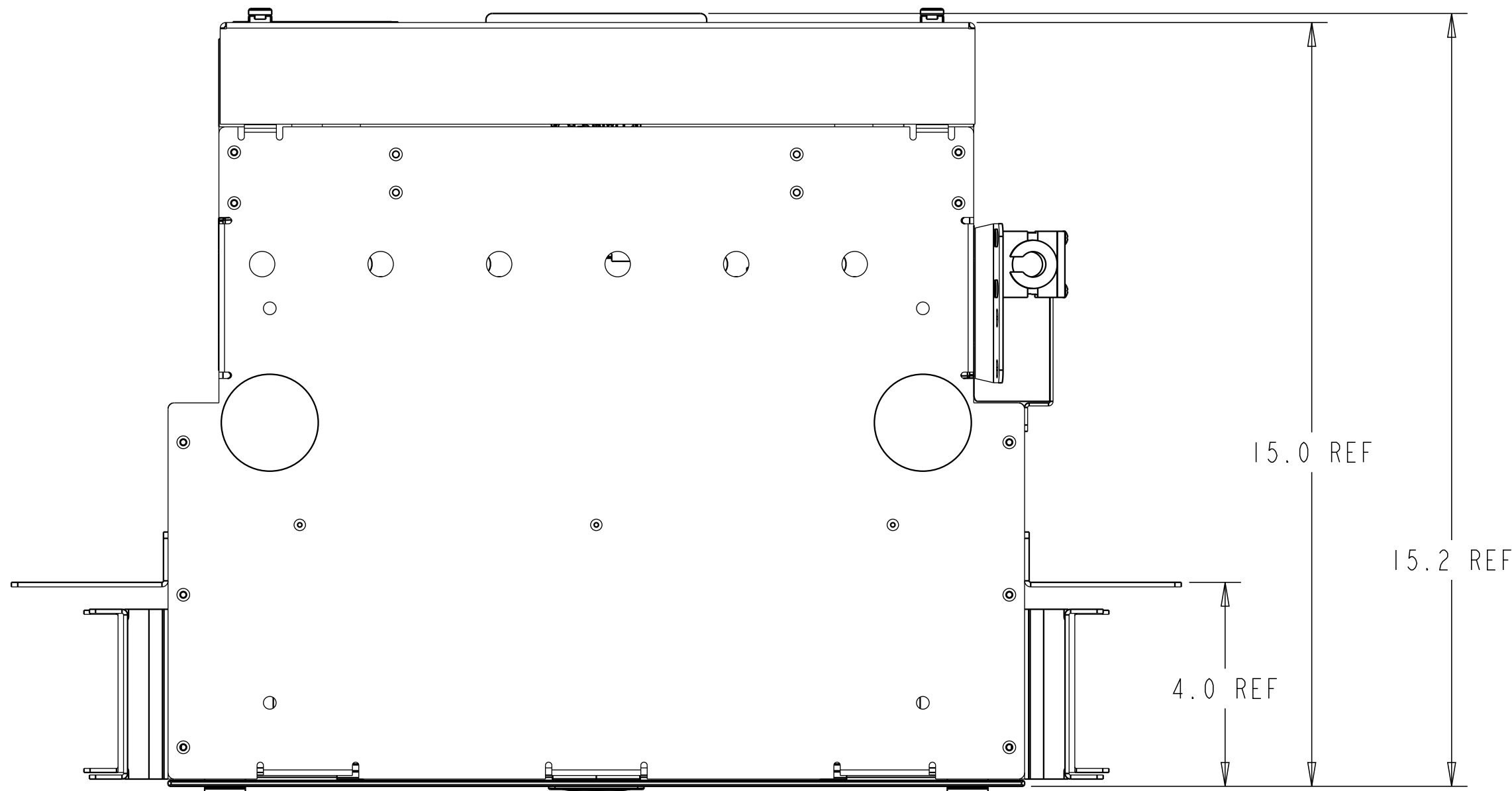
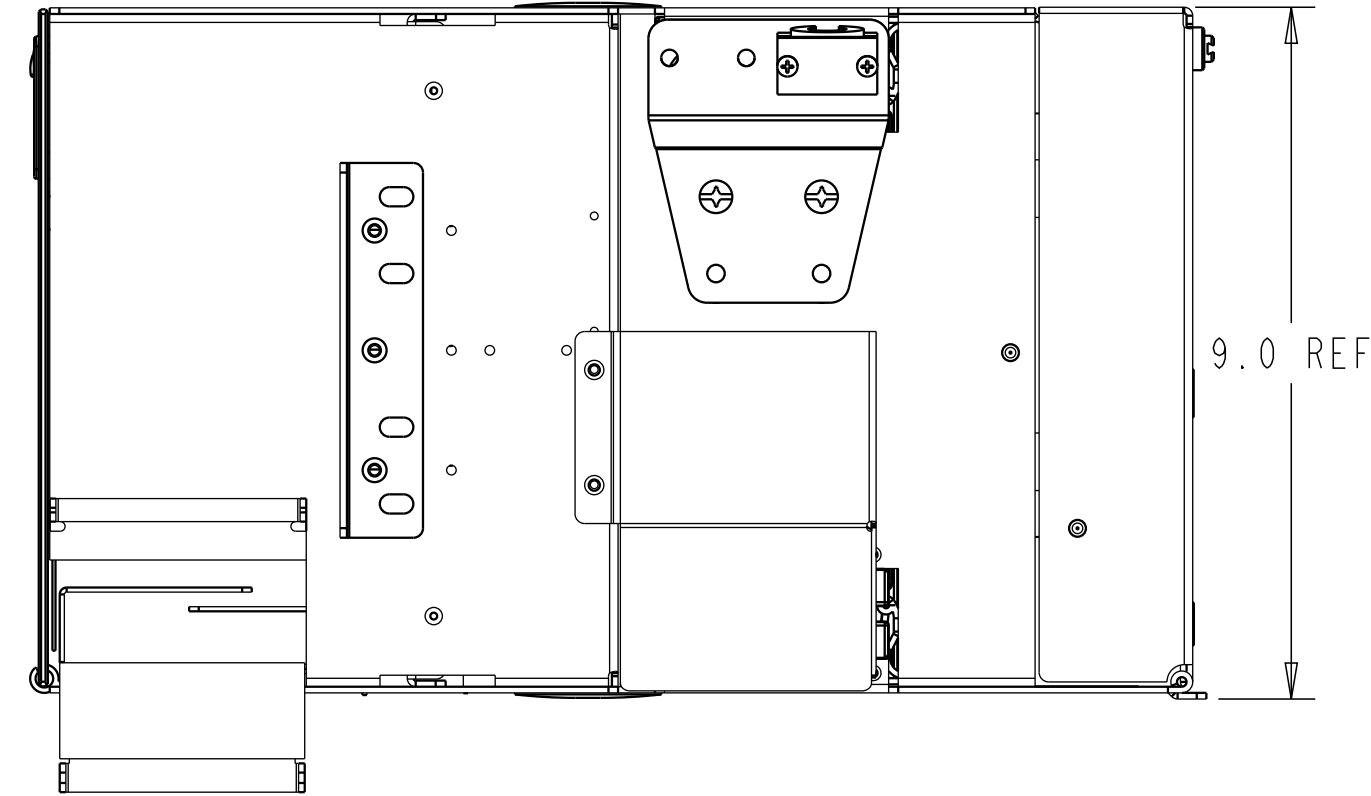


REV	MCO	DWN	DATE
G	40020471MCO	JAJR	18-MAR-15
H	40032679MCO	IAV	03-AUG-16



FRONT VIEW WITHOUT DOOR



LSX-TK5123-A-SPL	RIBBON	SMLC
LSX-T70002-A-SPL	NONE	SMSC
LSX-TK1122-A-SPL	STRANDED	SMLC
LSX-TM5123-A-SPL	RIBBON.	SMALC
LSX-TL1122-A-SPL	STRANDED	SMASC
LSX-T75123-A-SPL	RIBBON	SMSC
LSX-TL5123-A-SPL	RIBBON	SMASC
LSX-T71122-A-SPL	STRANDED	SMSC
PRODUCT NUMBER	FIBER TYPE	CONNECTOR STYLE

NOTES:

1. MOUNTING HARDWARE IS INCLUDED WITH UNIT.
2. UNIVERSAL MOUNTING BRACKETS ARE INCLUDED FOR A 19" OR 23" RACK MOUNT. (UNIT IS SHIPPED WITH THE BRACKETS IN THE 23" POSITION).

COMMSCOPE, INC.

© 2016 COMMSCOPE, INC. CONFIDENTIAL NOTICE: THESE DRAWINGS AND SPECIFICATIONS ARE THE PROPRIETARY PROPERTY OF COMMSCOPE, INC. AND MAY BE USED ONLY FOR THE SPECIFIC PURPOSE AUTHORIZED IN WRITING BY COMMSCOPE, INC.		TITLE 144 POS LSX CONN MOD WITH REAR SPLICING INSTALLATION DRAWING	
ALL DIMS AND TOLERANCES ARE INCHES UNLESS OTHERWISE SPECIFIED	.XX:±.020 .XXX:±.010 ANGULAR:±2	C SIZE DRAWING NUMBER 1221783_ADC	H REV
DO NOT SCALE DRAWING	ENGR: D. DERKS DWN: D. DERKS	SHT. 1 OF 2	

DIMENSIONS IN INCHES
THIRD ANGLE PROJECTION

A

B

C

D

1

1

2

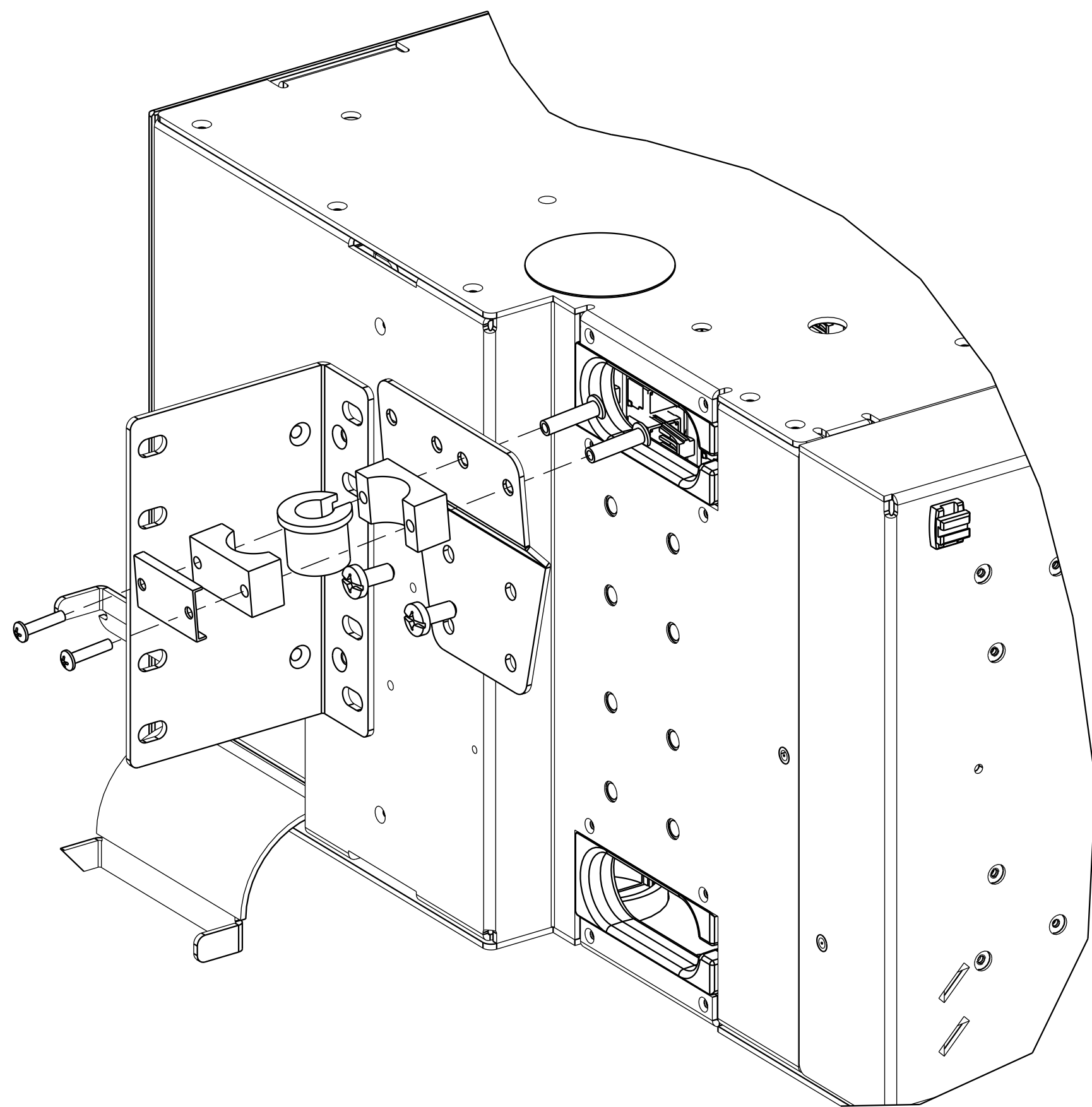
2

3

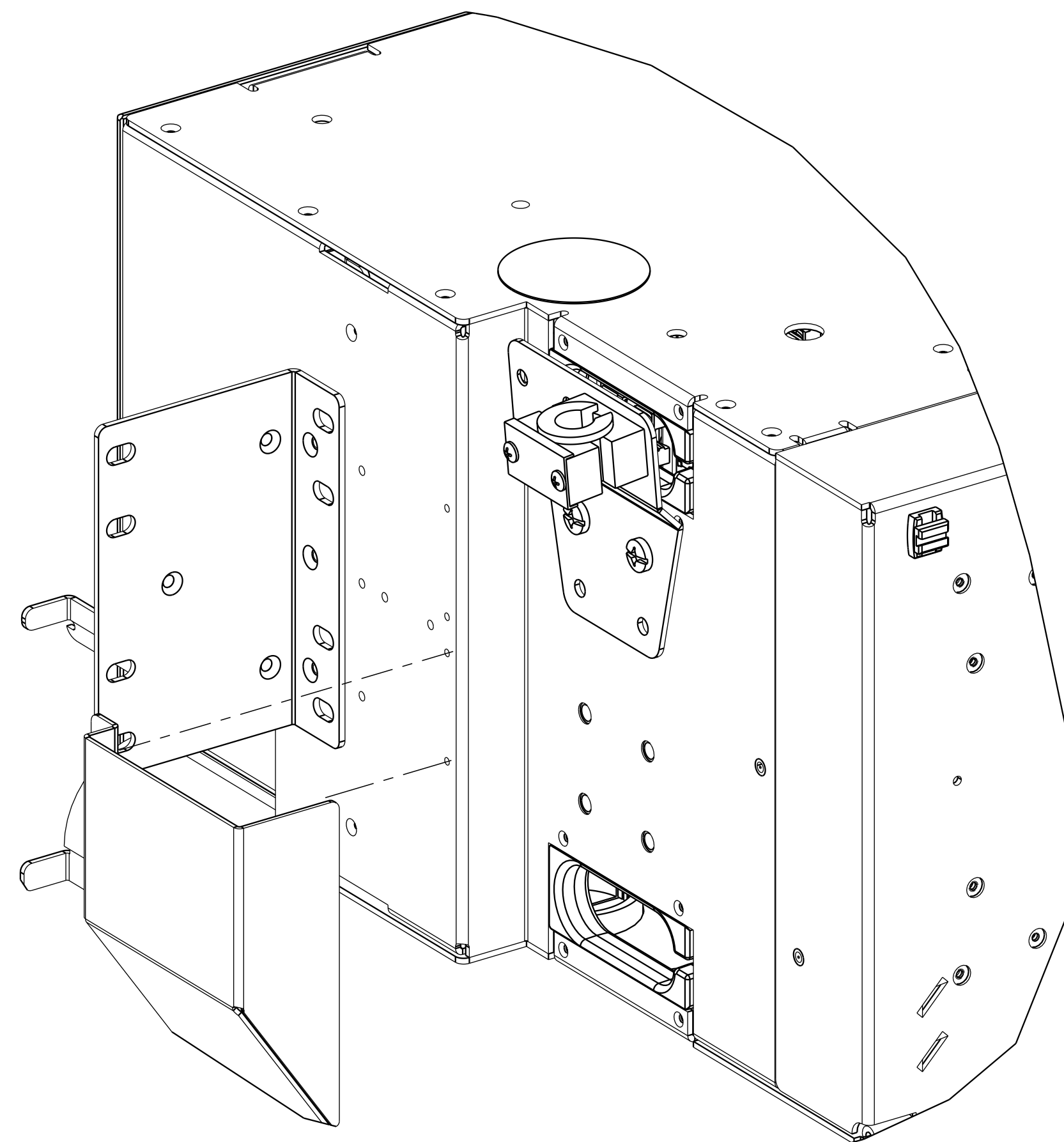
3

4

4



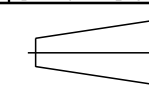
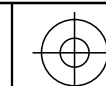
CABLE CLAMP INSTALLATION
(ONE CLAMP SHIPPED WITH UNIT)



CABLE SHIELD INSTALLATION
(TOP AND BOTTOM MOUNT AND PASS THROUGH SHIELDS SHIPPED WITH UNIT)

COMMSCOPE, INC.

<small>© 2016 COMMSCOPE, INC. CONFIDENTIAL NOTICE: THESE DRAWINGS AND SPECIFICATIONS ARE THE PROPRIETARY PROPERTY OF COMMSCOPE, INC. AND MAY BE USED ONLY FOR THE SPECIFIC PURPOSE AUTHORIZED IN WRITING BY COMMSCOPE, INC.</small>		TITLE 144 POS LSX CONN MOD WITH REAR SPLICING INSTALLATION DRAWING	
<small>ALL DIMS AND TOLERANCES .XX:±.020 ARE INCHES UNLESS .XXX:±.010 OTHERWISE SPECIFIED ANGULAR:±2</small>		C SIZE DRAWING NUMBER 1221783_ADC	H REV
DO NOT SCALE DRAWING		ENGR: D. DERKS DWN: D. DERKS	SHT. 2 OF 2



**DIMENSIONS IN INCHES
THIRD ANGLE PROJECTION**