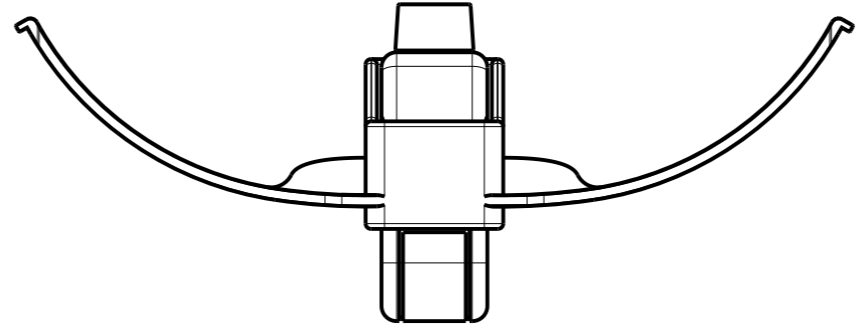
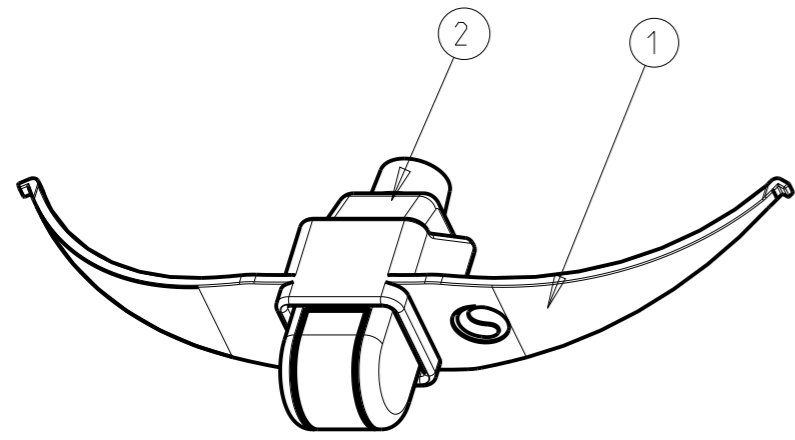
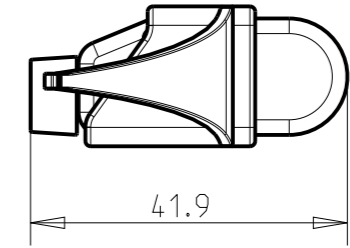
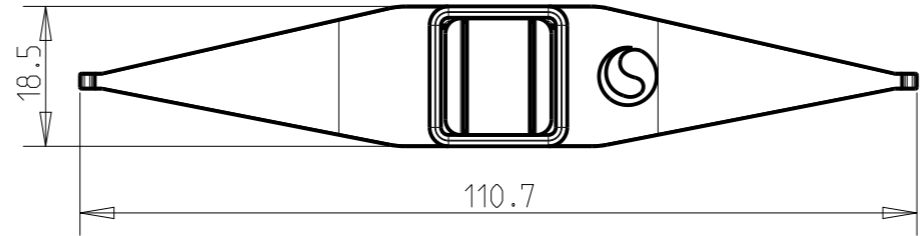
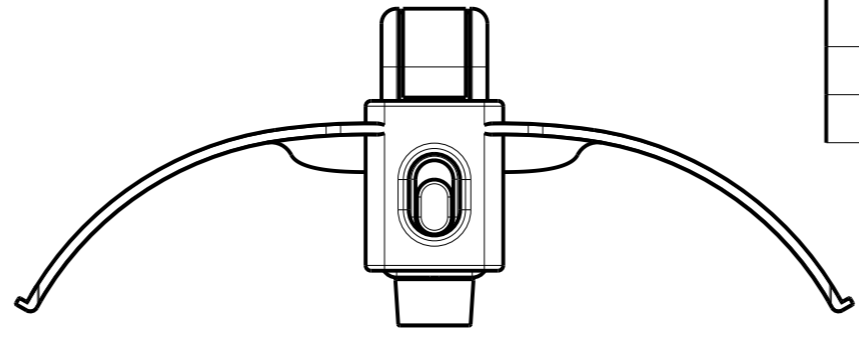


THIS DRAWING IS UNPUBLISHED. RELEASED FOR PUBLICATION

© 2016 COMMSCOPE, INC. CONFIDENTIAL NOTICE: THESE DRAWINGS AND SPECIFICATIONS ARE THE PROPRIETARY PROPERTY OF COMMSCOPE, INC. AND MAY BE USED ONLY FOR THE SPECIFIC PURPOSE AUTHORIZED IN WRITING BY COMMSCOPE, INC.

REVISIONS					
P	LTR	DESCRIPTION	DATE	DWN	APVD
	A	Initial release	29JUN2009	RV	HB
	B	ECR-09-017252	31JUL2009	RV	HB
	C	ECN 8000019575 REBRANDING	27JAN2017	RCR	SC



PACKAGING according to spec. 107-109000

QUANTITY	DESCRIPTION	ITEM
1	Led Finger Light	2
1	Sigma-Link Led Holder	1
1--1		

THIS DRAWING IS A CONTROLLED DOCUMENT.		DWN R.VANDOREN 29JUN2009	COMMSCOPE, INC.	
DIMENSIONS: mm		CHK H.BLEUS 29JUN2009		
TOLERANCES UNLESS OTHERWISE SPECIFIED: 0 PLC ±SEE TABLE 1 PLC ±SEE TABLE 2 PLC ±SEE TABLE 3 PLC ±SEE TABLE 4 PLC ±SEE TABLE ANGLES ±SEE TABLE		APVD D.THIS 29JUN2009		
MATERIAL -		FINISH -	NAME Sigma-Link Identifier	
-		PRODUCT SPEC -	SIZE A3	CAGE CODE -
-		APPLICATION SPEC -	DRAWING NO C=1671330	RESTRICTED TO -
-		WEIGHT -	SCALE 1.000	SHEET 1 OF 1
CUSTOMER DRAWING		REV C		