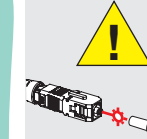
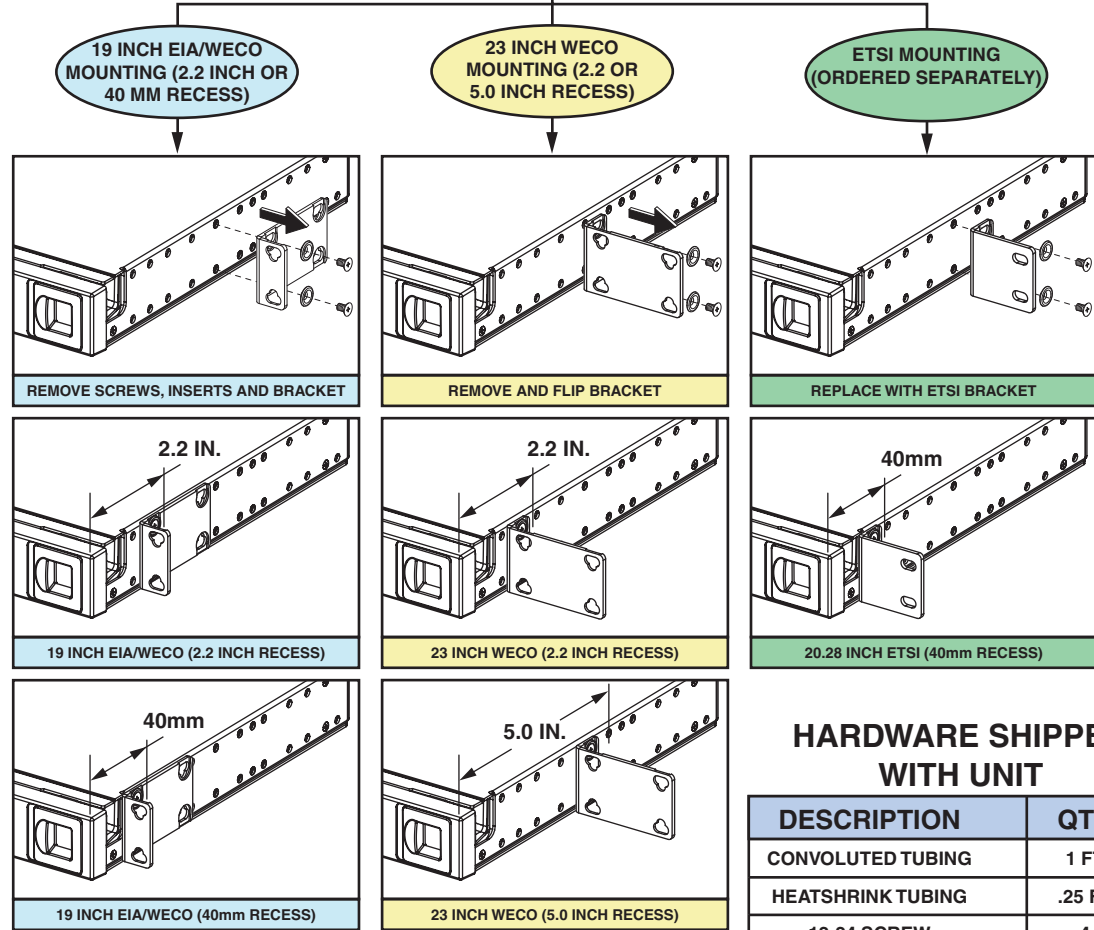
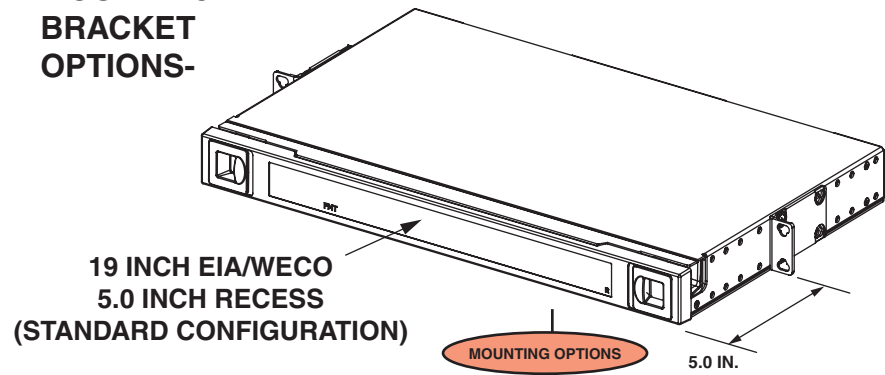


Danger: Infrared radiation is invisible and can seriously damage the retina of the eye. Do not look directly into the optical adapters of the adapter packs. Exposure to invisible laser radiation may result. A protective cap or hood **MUST** be immediately placed over any radiating adapter or optical fiber connector to avoid the potential of dangerous amounts of radiation exposure. This practice also prevents dirt particles from entering the connector and adapter.



1 MOUNTING BRACKET OPTIONS- One Rack Unit Rear Cable Entry FMT-JTU Termination and Splice Panels



TORQUE MOUNTING BRACKET SCREWS BETWEEN 15 AND 19 INCH-LBS

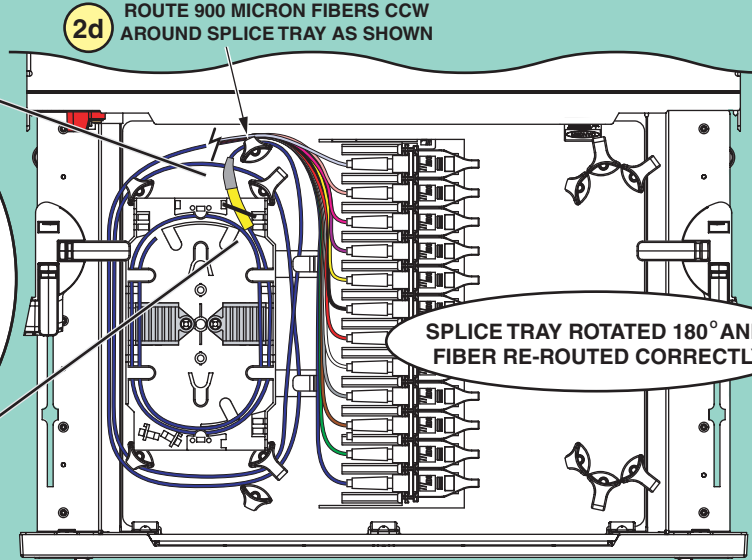
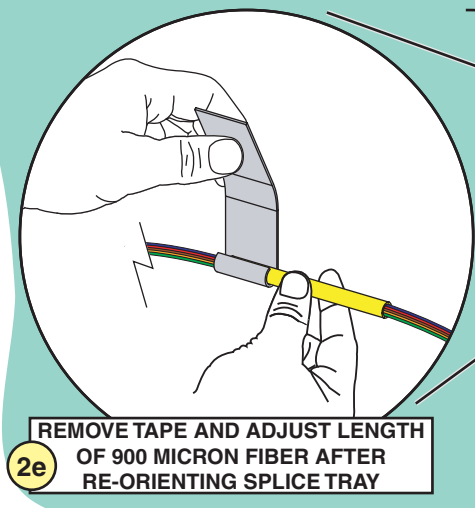
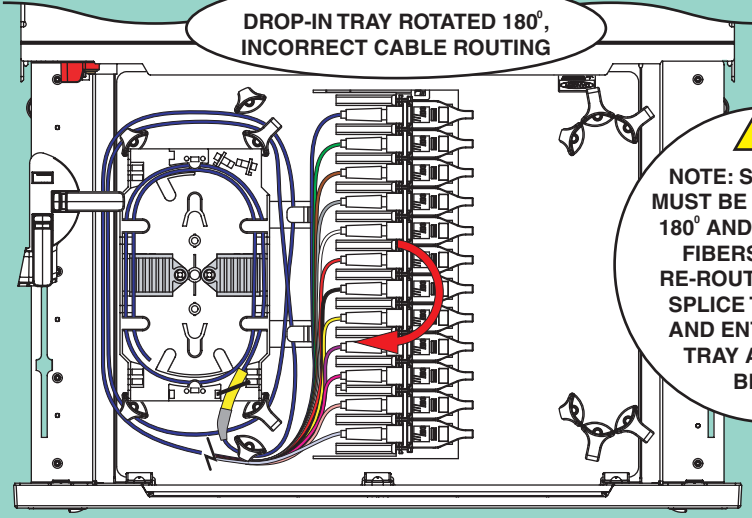
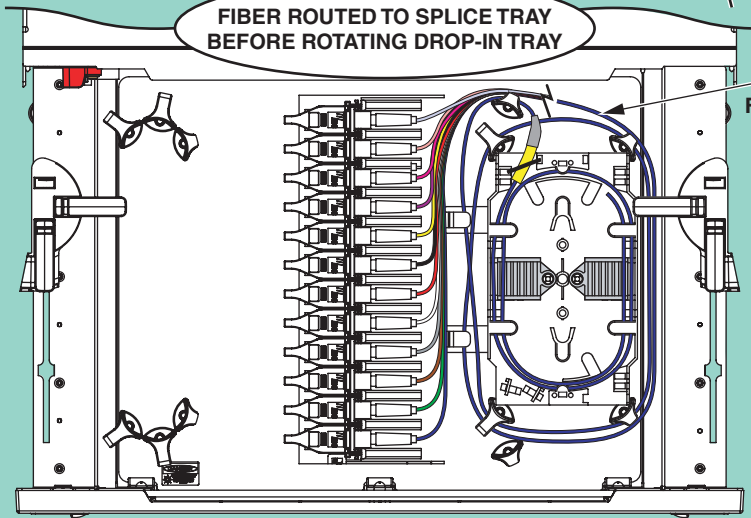
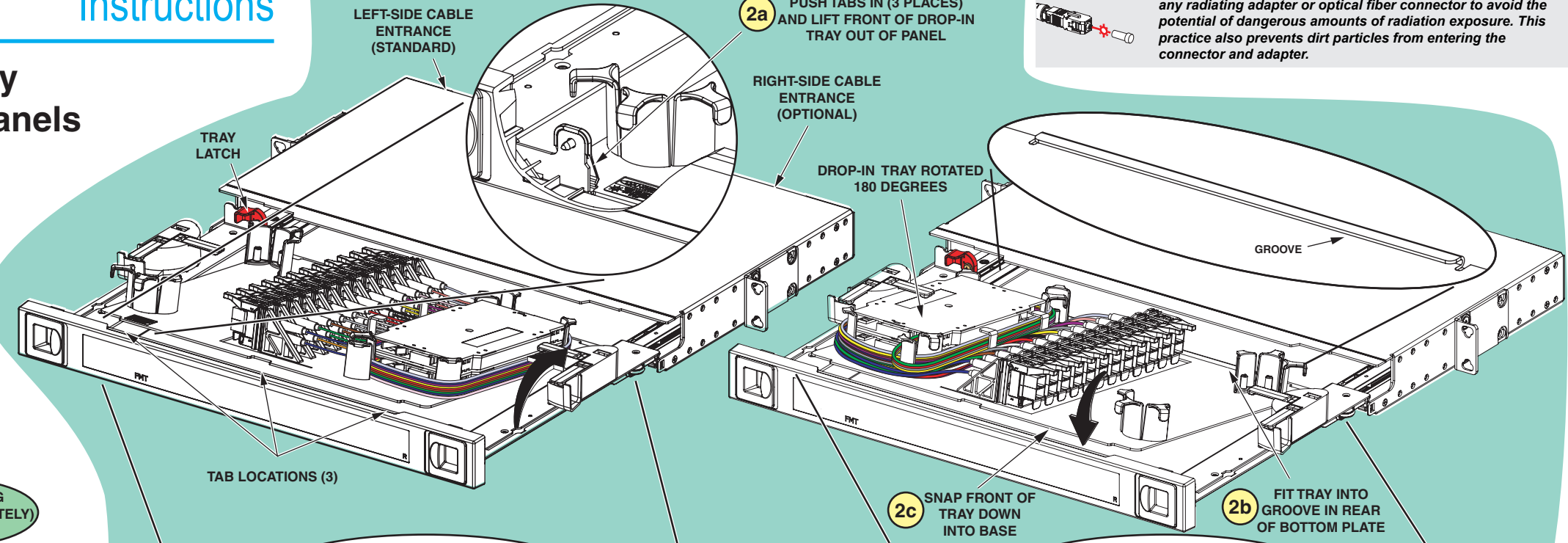
HARDWARE SHIPPED WITH UNIT

DESCRIPTION	QTY
CONVOLUTED TUBING	1 FT
HEATSHRINK TUBING	.25 FT
12-24 SCREW	4
#12 LOCKWASHER	4
CABLE CLAMP YOKE	2
CABLE CLAMP PLATE	1
6-32 SCREW	2
CABLE GROMMET	1

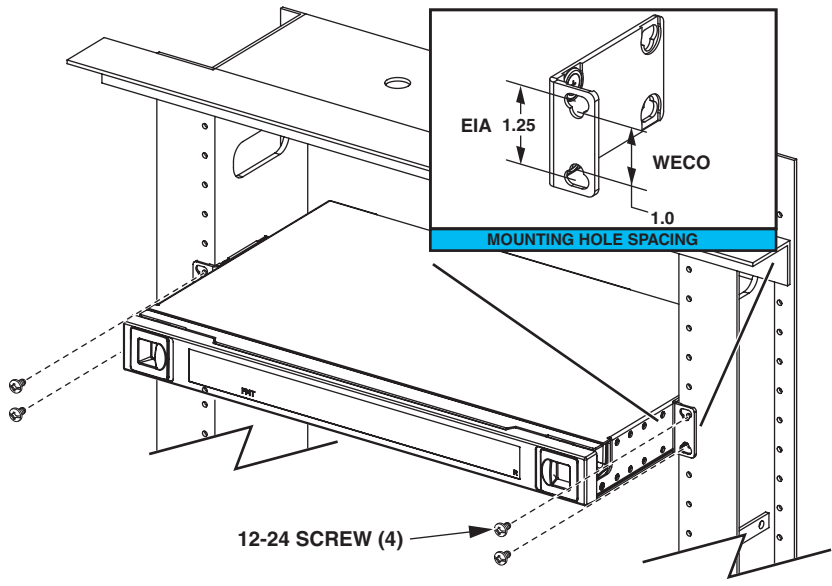
SPECIFICATIONS

ITEM	DESCRIPTION
Dimensions (H x D)	1.70 IN. (4.32 CM) x 11.04 IN. (28.04 CM)
ETSJ (W)	20.28 IN. (51.5 CM)
19-Inch EIA/WECO (W)	18.32 IN. (46.5 CM)
23-Inch WECO (W)	22.33 IN. (56.7 CM)
Approximate Weight	7.9 lbs. (3.98 kg)
Configuration Options and Capacity	Termination Only (24 fibers) Termination and Splice (24 fibers)
Maximum Load (with tray open)	5 lbs. (2.3 kg)

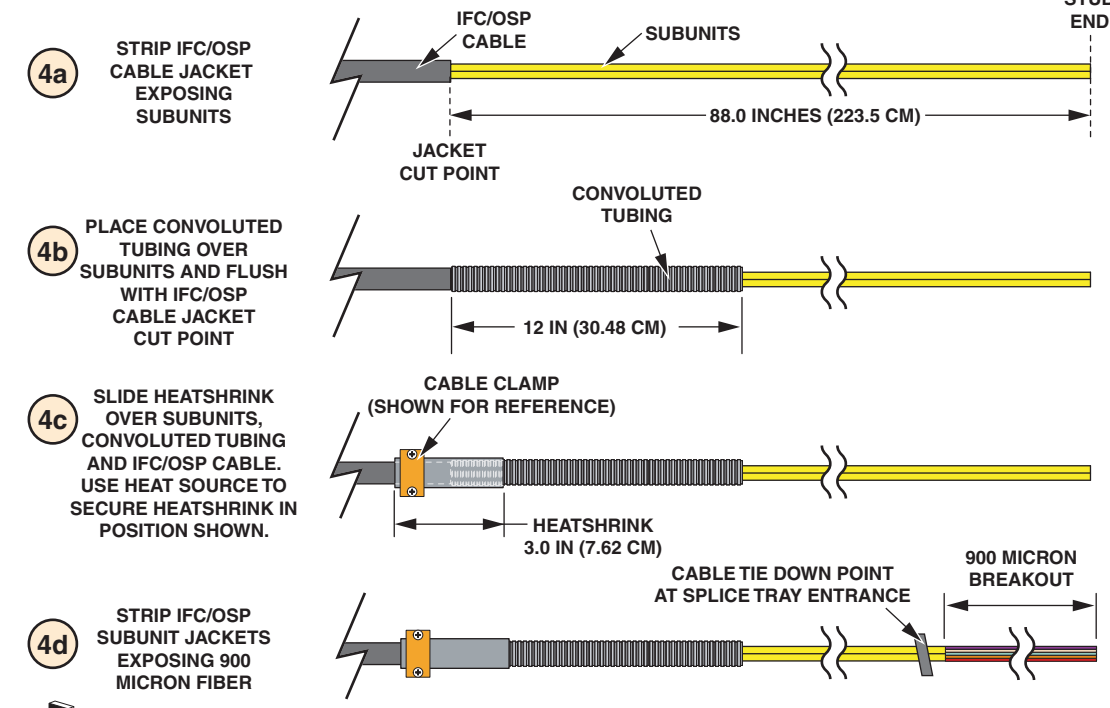
2 (OPTIONAL) RE-ORIENT DROP-IN TRAY FOR RIGHT-SIDE CABLE ENTRANCE (ROTATE DROP-IN TRAY 180 DEGREES)



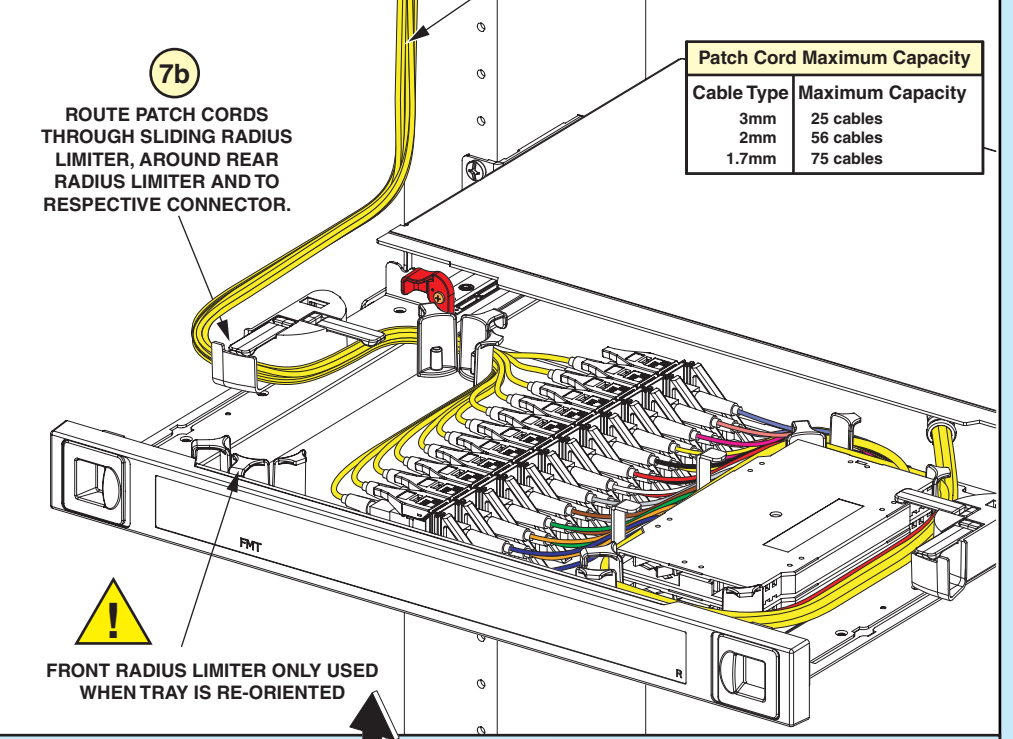
3 INSTALL PANEL IN RACK



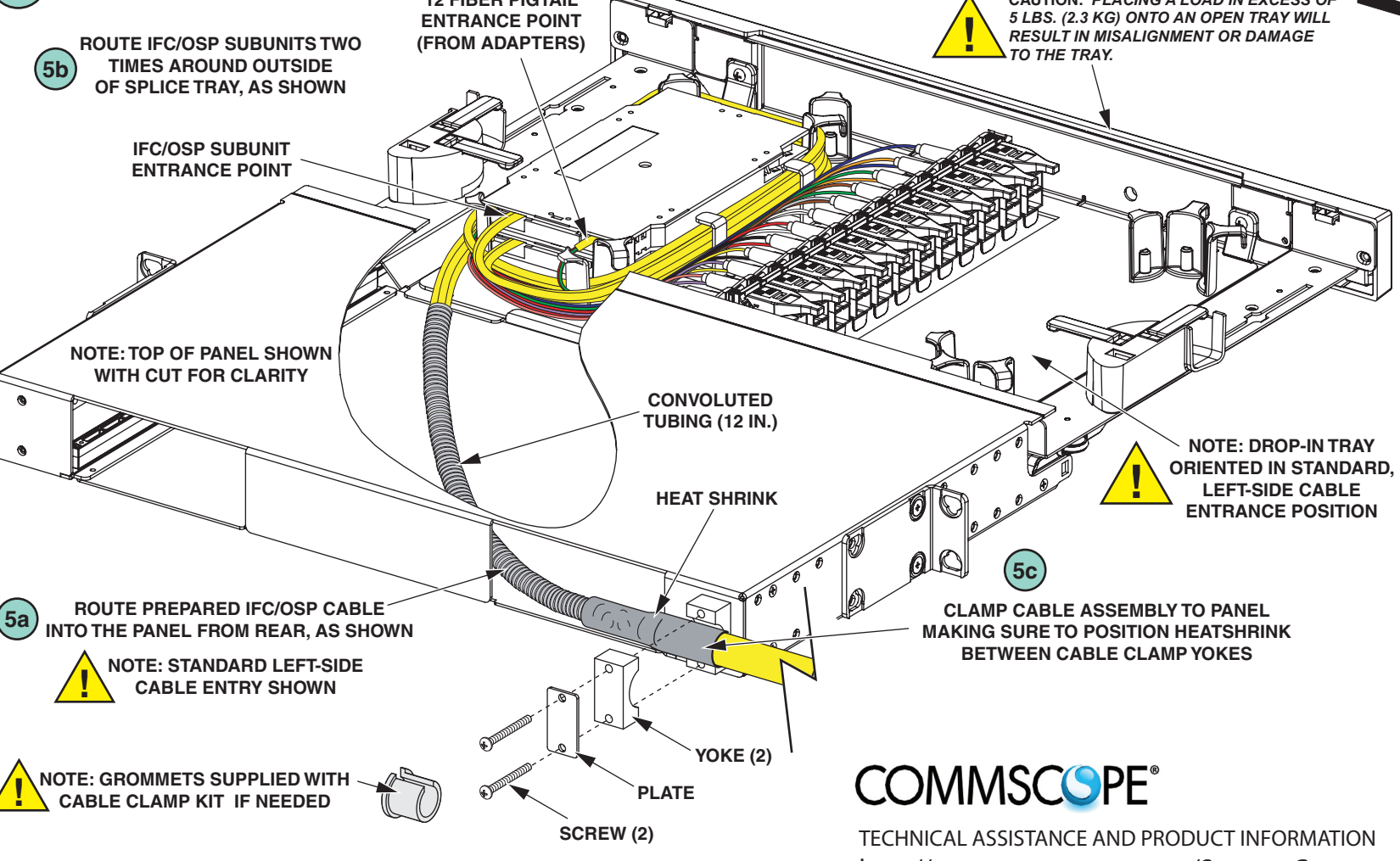
4 PREPARE IFC/OSP CABLE



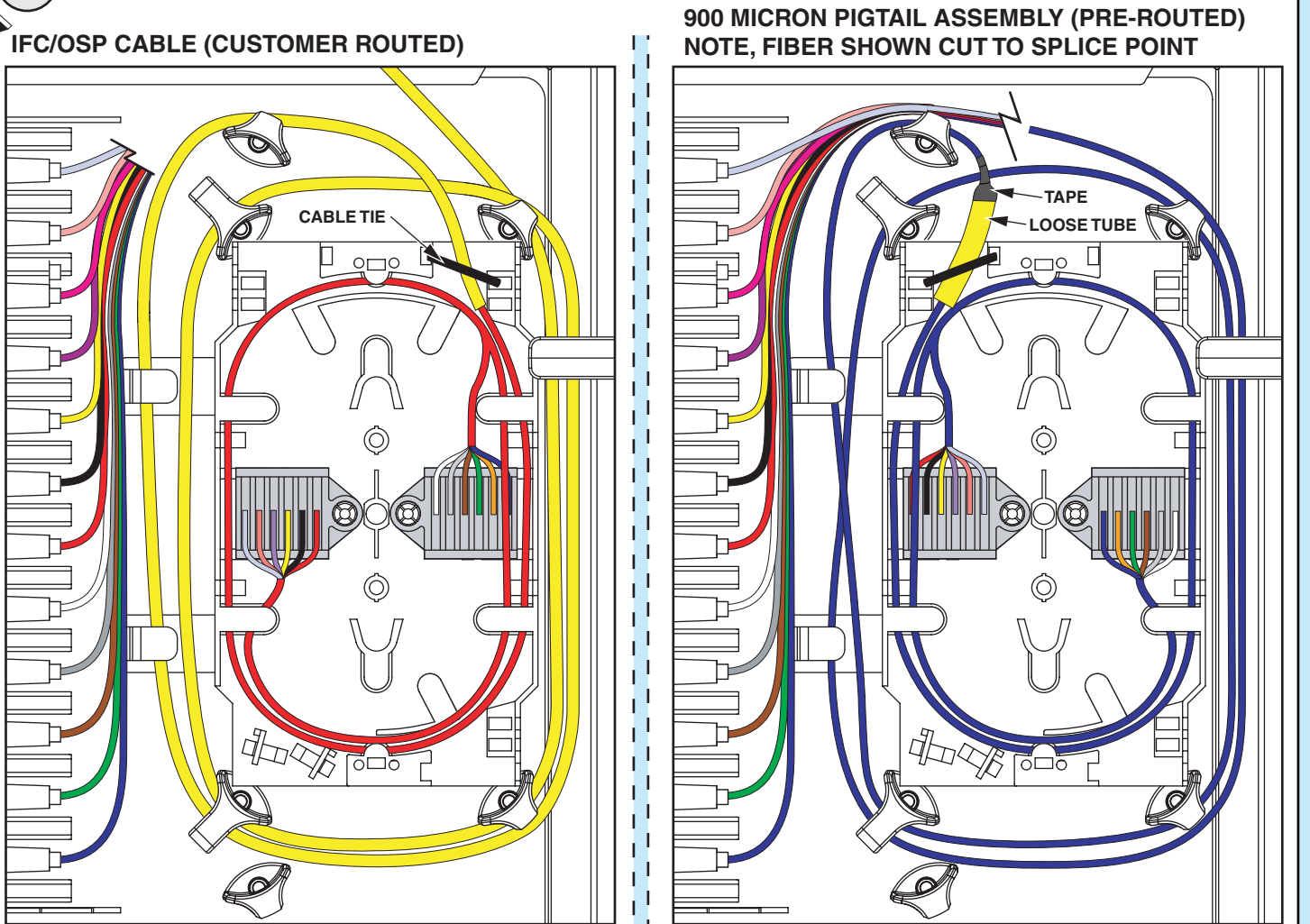
7 ROUTE PATCH CORDS



5 ROUTE IFC/OSP CABLE



6 ROUTE FIBER AS SHOWN PER CABLE TYPE



COMMSCOPE
TECHNICAL ASSISTANCE AND PRODUCT INFORMATION
<http://www.commscope.com/SupportCenter>