



## InstaPATCH® QUATTRO Surface Mount Box (SMB) Installation Instructions

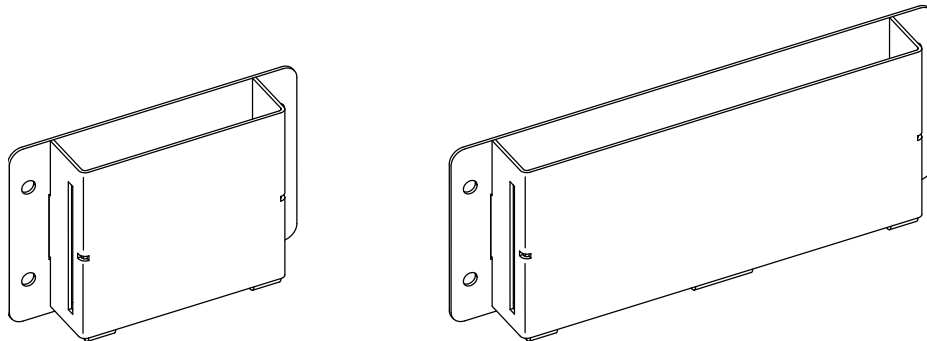
### General

The InstaPATCH® QUATTRO surface mount boxes (SMB) support the use of pre-terminated QUATTRO cable assemblies and QUATTRO cassette modules in an indoor, wall-mounted enclosure. The SMB is available in a 4-port version (one module) and 8-port version (two module), and accommodates from one to eight outlets. Both boxes can be mounted on a wall or other smooth, flat, surface using the hardware provided.

Ordering information is listed below:

Material ID	Part No.	Description
760193367	IPQ-SMB-4P	4-port SMB, one module capacity (see note)
760193375	IPQ-SMB-8P	8-port SMB, two module capacity (see note)

**Note:** InstaPATCH QUATTRO cassette modules are not included and must be ordered separately



InstaPATCH® QUATTRO Surface Mount Boxes (4 Port and 8 Port)

### How to Contact Us

- To find out more about **CommScope®** products, visit us on the web at <http://www.commscope.com/>
- For technical assistance:
  - Within the United States, contact your local account representative or technical support at 1-800-344-0223. Outside the United States, contact your local account representative or Authorized Business Partner.
  - Within the United States, report any missing/damaged parts or any other issues to **CommScope** Customer Claims at 1-866-539-2795. Outside the United States, contact your local account representative or Authorized Business Partner.

### Tools Required

- Phillips head screwdriver
- Drill and 7/64" bit

## Parts List

Verify parts against the parts list below:

Quantity		Description
IPQ-SMB-4P (760193367)	IPQ-SMB-8P (760193375)	
1	–	4-port SMB
–	1	8-port SMB
4	4	Mounting screws
1	1	Instruction sheet

## Separately Orderable Items

Material ID	Part No.	Description
760159632	IPQ-MODULE-4P-6A	4-port cassette module
760160549	IPQ-MOD-LABEL	Port labels

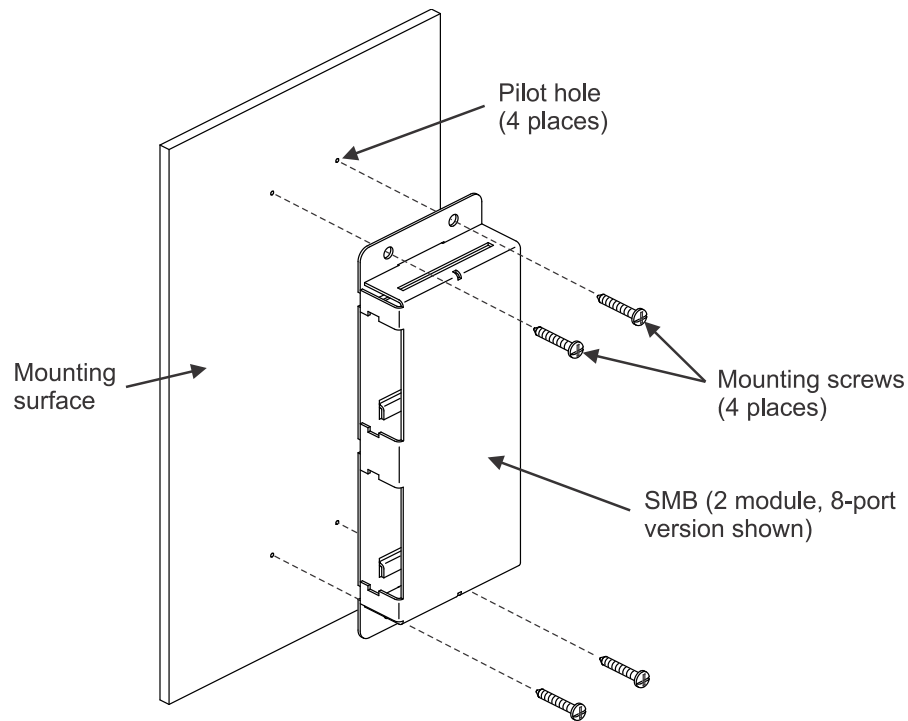


### **WARNING – Important Safety Instructions**

When using this product, the following basic safety precautions should be followed to reduce the risk of fire, electric shock, and injury to persons:

1. Never install communications wiring in wet locations unless it is designed for wet locations.
2. Never install this product during a lightning storm. There is a remote risk of electric shock.
3. Never touch uninsulated communication wiring or terminals unless the communication circuit has been disconnected at the network interface.
4. **Caution:** All wiring that connects to this equipment must meet applicable local and national building codes and network wiring standards for communication cable.

## Installation



1. Using the mounting holes in the SMB as a guide, mark the mounting surface in four places and drill 7/64" pilot holes in surface before starting screws.
2. Insert provided screws into mounting holes of the SMB and tighten screws to secure base to surface.  
**Caution:** Mounting surface substrate must be sufficient for supporting the SMB and cable loads. Additional mounting hardware may be required for cable stability and if so, will need to be obtained locally.
3. Install **QUATTRO** cassette module and the **QUATTRO** plug end of the pre-terminated cable assembly per instructions included with the module.
4. Insert module(s) into SMB by aligning slots in module to rails provided in back of box. Press module fully into box to engage module retention latches.
5. If optional module port labels are utilized, peel backing paper from a label and place in label retainer area on the module. Labels can be written on prior to removing backing paper or after being applied to module.