



## VCM-Type Vertical Cable Management Kits

### General

The VCM-type vertical cable management kits are installed on the side of a 19-inch or 23-inch (483 or 584mm) wide industry standard rack or between two similar racks. The kits are available in a single-sided and double-sided version and provide a concealed vertical space for organizing patch cables. Cable spools are provided to organize longer patch cable lengths. The kit includes silver or black doors to conceal patch cables, that can be opened from the left, the right or removed all together. The cable managers are available in 6 inch (152mm), 8 inch (203mm), 10 inch (254mm), and 12 inch (305mm) widths and in 7 foot (2.1m), 8 foot (2.4m), and 9 foot (2.7m) heights.

Ordering information for the vertical cable management kits is listed below:

	Part No.	Material ID	Description
Single-Sided	VCM-SS-84-6	760072868	6" x 7' (152mm x 2.1m) VCM kit, with door
	VCM-SS-84-6B	760089425	6" x 7' (152mm x 2.1m) VCM kit, with door (Black)
	VCM-SS-84-8	760072876	8" x 7' (203mm x 2.1m) VCM kit, with door
	VCM-SS-84-8B	760089433	8" x 7' (203mm x 2.1m) VCM kit, with door (Black)
	VCM-SS-84-10	760072884	10" x 7' (254mm x 2.1m) VCM kit, with door
	VCM-SS-84-10B	760089441	10" x 7' (254mm x 2.1m) VCM kit, with door (Black)
	VCM-SS-84-12	760072892	12" x 7' (305mm x 2.1m) VCM kit, with door
	VCM-SS-84-12B	760089458	12" x 7' (305mm x 2.1m) VCM kit, with door (Black)
	VCM-SS-96-6	760072900	6" x 8' (152mm x 2.4m) VCM kit, with door
	VCM-SS-96-6B	760089466	6" x 8' (152mm x 2.4m) VCM kit, with door (Black)
	VCM-SS-96-8	760072918	8" x 8' (203mm x 2.4m) VCM kit, with door
	VCM-SS-96-8B	760089474	8" x 8' (203mm x 2.4m) VCM kit, with door (Black)
	VCM-SS-96-10	760072926	10" x 8' (254mm x 2.4m) VCM kit, with door
	VCM-SS-96-10B	760089482	10" x 8' (254mm x 2.4m) VCM kit, with door (Black)
	VCM-SS-96-12	760072934	12" x 8' (305mm x 2.4m) VCM kit, with door
	VCM-SS-96-12B	760089490	12" x 8' (305mm x 2.4m) VCM kit, with door (Black)
	VCM-SS-108-6B	760140350	6" x 9' (152mm x 2.7m) VCM kit, with door (Black)
	VCM-SS-108-8B	760140368	8" x 9' (203mm x 2.7m) VCM kit, with door (Black)
	VCM-SS-108-10B	760142349	10" x 9' (254mm x 2.7m) VCM kit, with door (Black)
	VCM-SS-108-12B	760142356	12" x 9' (305mm x 2.7m) VCM kit, with door (Black)

Table Continued on Next Page

### CAUTION

Doors on the vertical cable management kits are not rated for transportation while installed. Remove doors from the units and store in a secure place during transport.

	Part No.	Material ID	Description
<b>Double-Sided</b>	VCM-DS-84-6	760072785	6" x 7' (152mm x 2.1m) VCM kit, with doors
	VCM-DS-84-6B	760089342	6" x 7' (152mm x 2.1m) VCM kit, with doors (Black)
	VCM-DS-84-8	760072793	8" x 7' (203mm x 2.1m) VCM kit, with doors
	VCM-DS-84-8B	760089359	8" x 7' (203mm x 2.1m) VCM kit, with doors (Black)
	VCM-DS-84-10	760072801	10" x 7' (254mm x 2.1m) VCM kit, with doors
	VCM-DS-84-10B	760089367	10" x 7' (254mm x 2.1m) VCM kit, with doors (Black)
	VCM-DS-84-12	760072819	12" x 7' (305mm x 2.1m) VCM kit, with doors
	VCM-DS-84-12B	760089375	12" x 7' (305mm x 2.1m) VCM kit, with doors (Black)
	VCM-DS-96-6	760072827	6" x 8' (152mm x 2.4m) VCM kit, with doors
	VCM-DS-96-6B	760089383	6" x 8' (152mm x 2.4m) VCM kit, with doors (Black)
	VCM-DS-96-8	760072835	8" x 8' (203mm x 2.4m) VCM kit, with doors
	VCM-DS-96-8B	760089391	8" x 8' (203mm x 2.4m) VCM kit, with doors (Black)
	VCM-DS-96-10	760072843	10" x 8' (254mm x 2.4m) VCM kit, with doors
	VCM-DS-96-10B	760089409	10" x 8' (254mm x 2.4m) VCM kit, with doors (Black)
	VCM-DS-96-12	760072850	12" x 8' (305mm x 2.4m) VCM kit, with doors
	VCM-DS-96-12B	760089417	12" x 8' (305mm x 2.4m) VCM kit, with doors (Black)
	VCM-DS-108-6B	760140335	6" x 9' (152mm x 2.7m) VCM kit, with doors (Black)
	VCM-DS-108-8B	760140343	8" x 9' (203mm x 2.7m) VCM kit, with doors (Black)
VCM-DS-108-10B	760142380	10" x 9' (254mm x 2.7m) VCM kit, with doors (Black)	
VCM-DS-108-12B	760142398	12" x 9' (305mm x 2.7m) VCM kit, with doors (Black)	

## How to Contact Us

- To find out more about **CommScope**<sup>®</sup> products, visit us on the web at <http://www.commscope.com/>

For technical assistance:

- Within the United States, contact your local account representative or technical support at 1-800-344-0223. Outside the United States, contact your local account representative or Authorized Business Partner.
- Within the United States, report any missing/damaged parts or any other issues to CommScope Customer Claims at 1-866-539-2795. Outside the United States, contact your local account representative or Authorized Business Partner.

## Tools Required

- 3/4" Socket and Driver

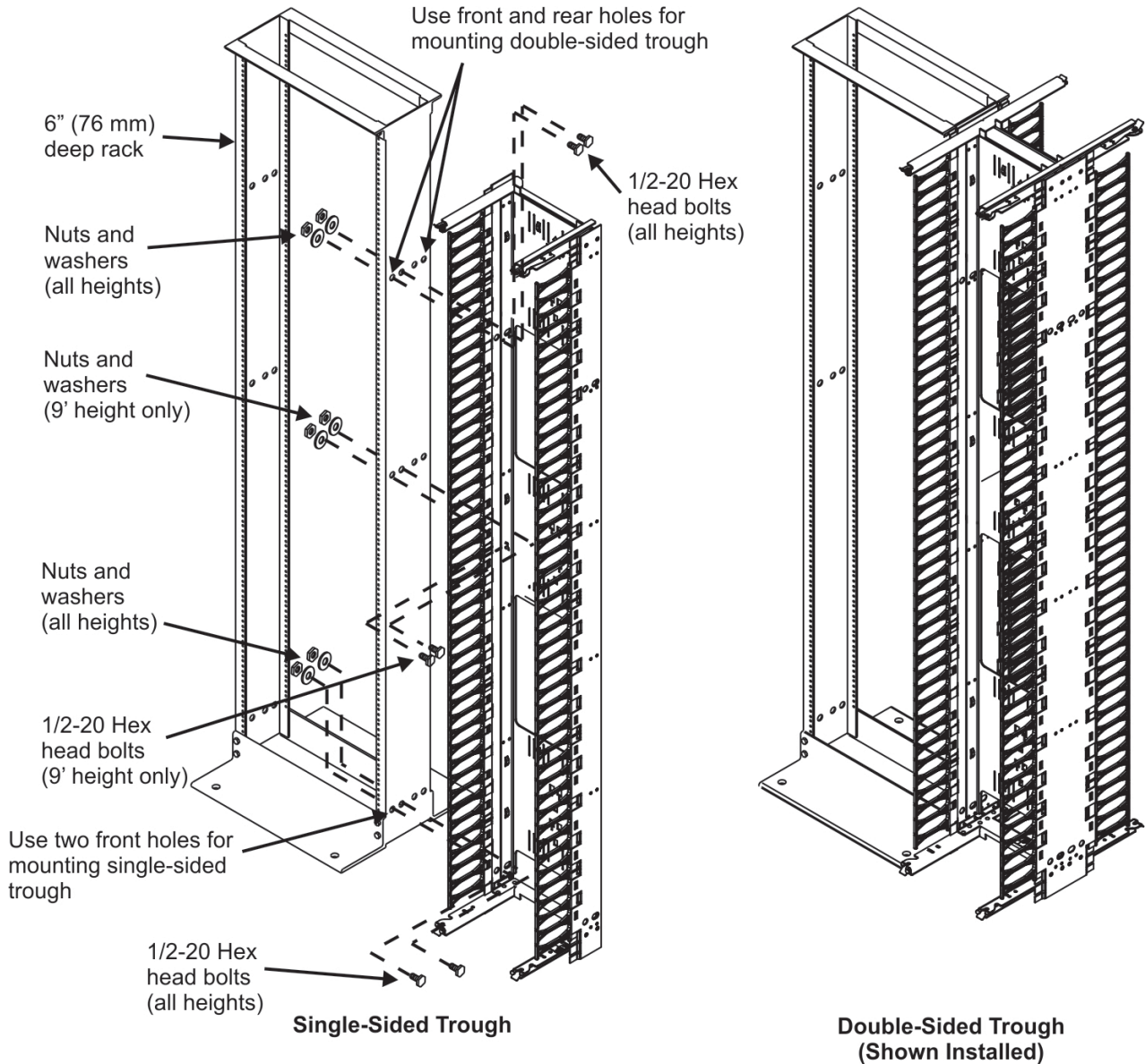
## Parts List

Verify parts against parts list below:

Description	Quantity (For All Heights)	
	Single-Sided	Double-Sided
Vertical cable management trough	1	1
Door	1	2
Spools	2 (For 10" & 12" width VCM only)	2 (For 10" & 12" width VCM only)
Hardware kit*	1	1

\* Hardware kit contains four 1/2"-20 x 1" hex head cap bolts, hex nuts, and washers for the 7 ft. and 8 ft. high units and six hex head cap bolts, hex nuts, and washers for the 9 ft. high unit.

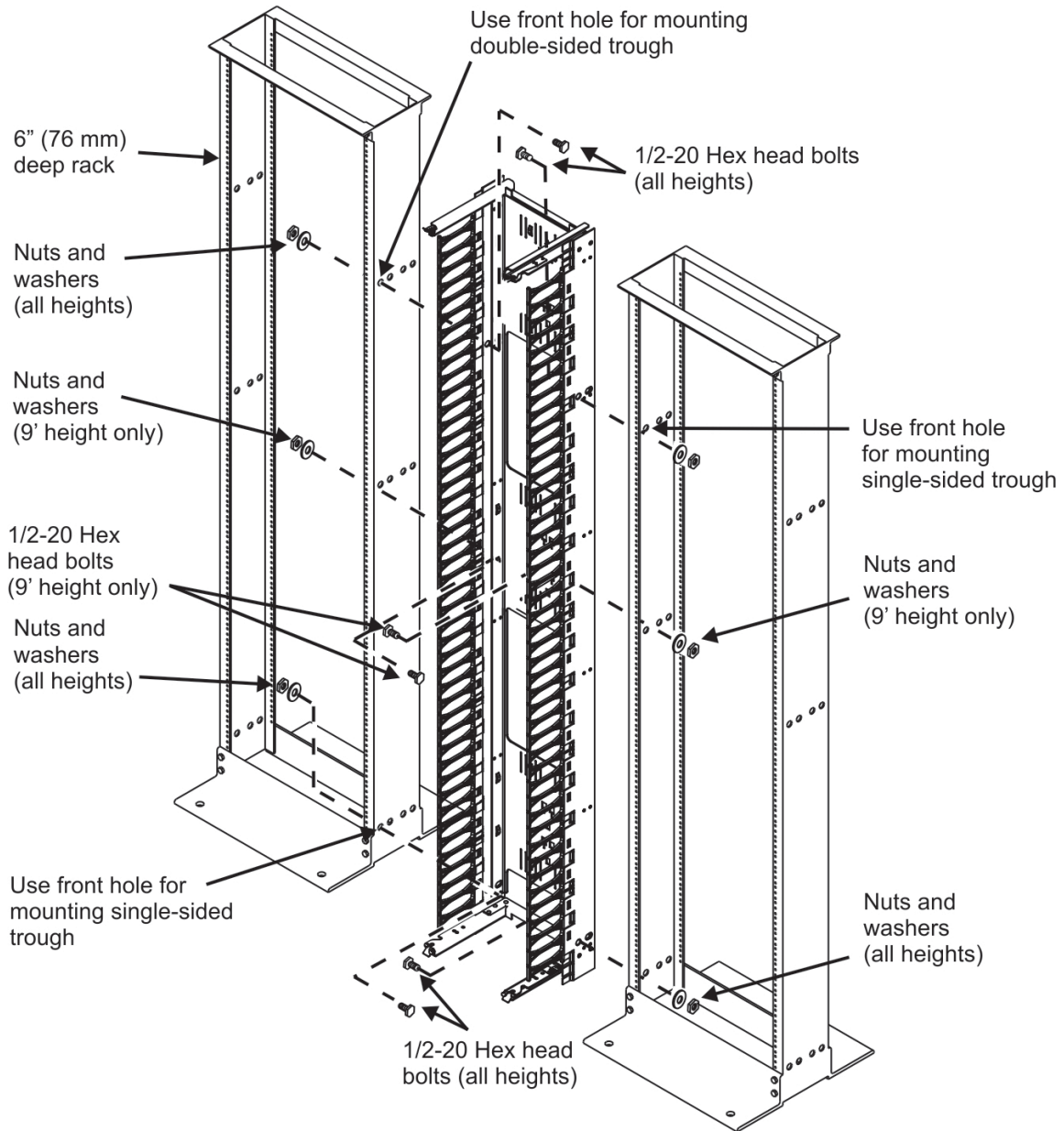
### Step 1a – Installation to a Single Rack



**Note:** Single-sided and double-sided vertical cable management kits are mounted to a rack using the provided 1/2-20 hex head bolts, washers, and nuts. The 7-foot (2.1m) and 8-foot (2.4m) heights use four bolts, washers, and nuts, whereas the 9-foot (2.7m) height uses six bolts, washers, and nuts as shown in the figure above.

1. Position vertical cable management trough next to rack. On a 6-inch (76mm) deep rack, locate front two holes at top and bottom of rack for installing a single-sided trough and the front and rear holes at top and bottom of rack for installing a double-sided trough (see figure above). Install the four (or six) 1/2-20 hex head bolts through the vertical cable management trough and rack and secure with the provided washers and nuts.

## Step 1b – Installation Between Two Racks

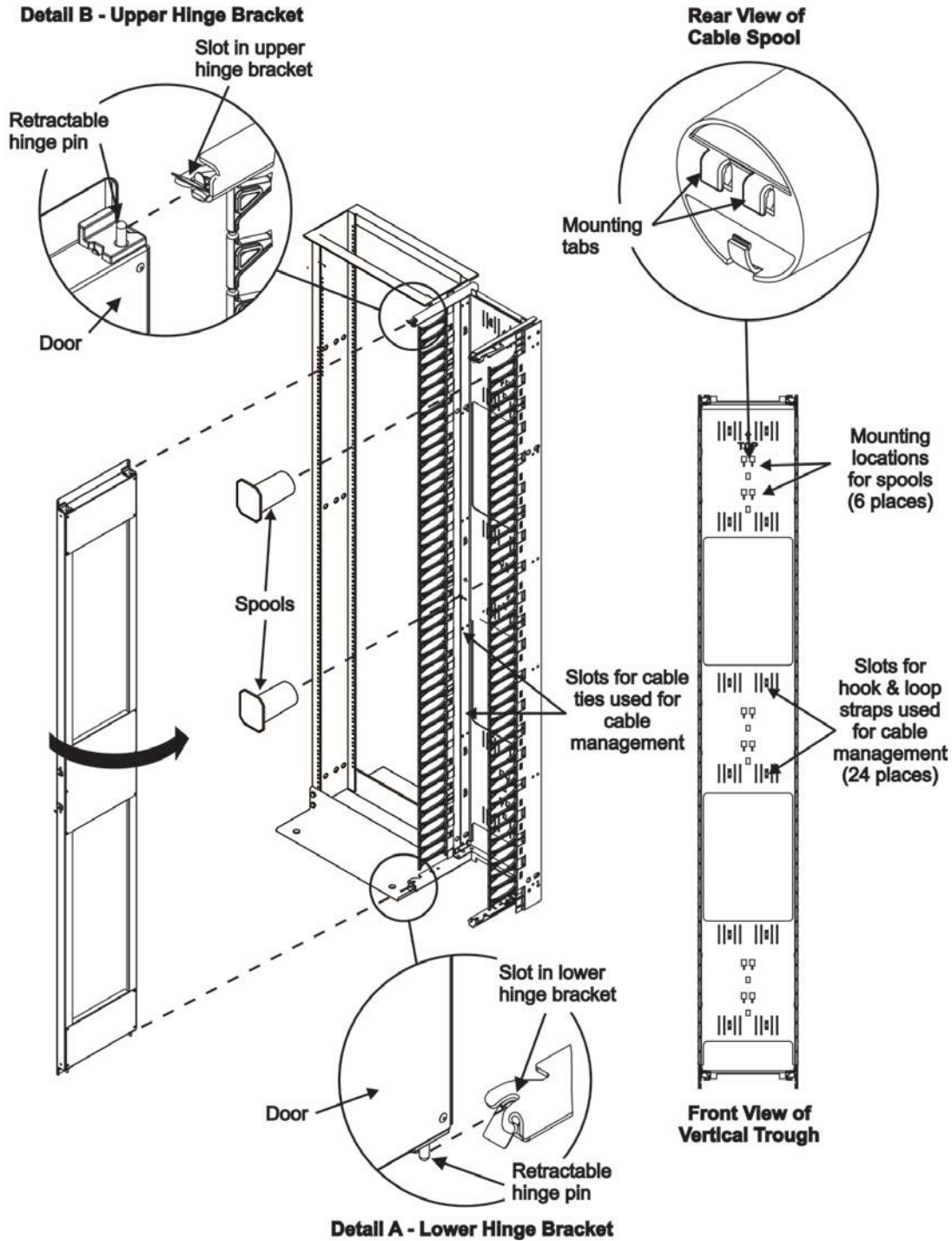


### Single-Sided Trough Installed Between Two Racks

**Note:** Single-sided and double-sided vertical cable management kits are mounted between two racks using the provided 1/2-20 hex head bolts, washers, and nuts. The 7-foot (2.1m) and 8-foot (2.4m) heights use four bolts, washers, and nuts, whereas the 9-foot (2.7m) height uses six bolts, washers, and nuts as shown in the figure above.

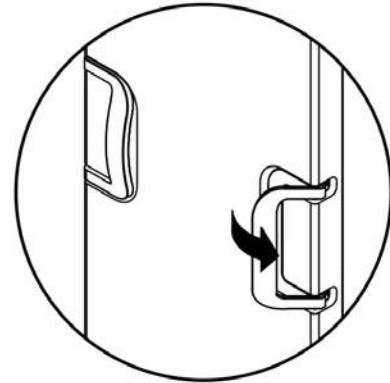
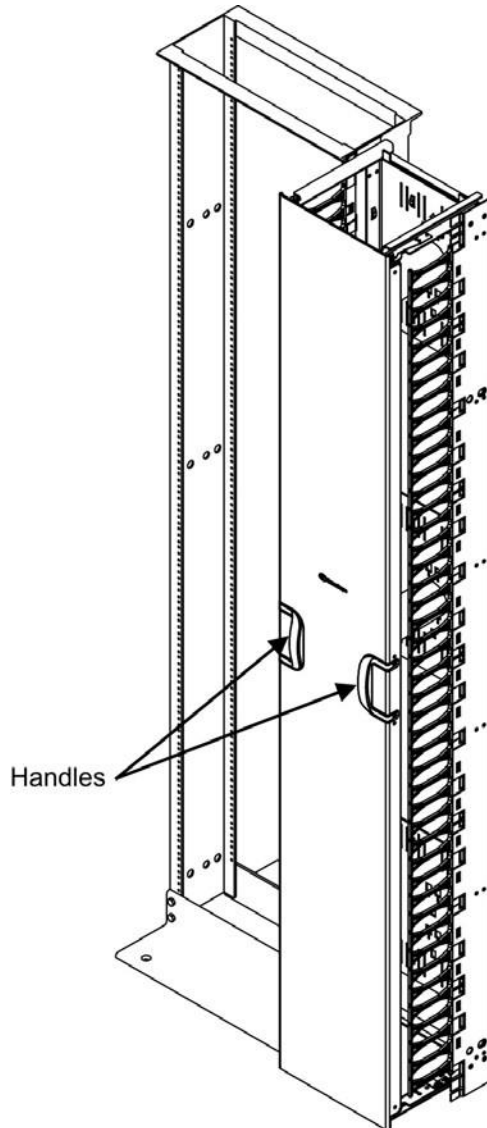
1. Position vertical cable management trough next to one rack. On a 6-inch (76mm) deep rack, locate one front hole at top and bottom of rack (recommended) for installing a single-sided trough and the front holes at top and bottom of rack for installing a double-sided trough. Install the two (or three) 1/2-20 hex head bolts through the vertical cable management trough and each rack as shown. Secure with the provided washers and nuts.

## Step 2 – Install Cable Spools and Trough Door

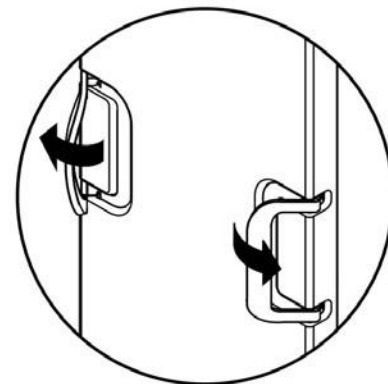


1. Install cable spools into vertical cable management trough by placing tabs, on rear of spool, into openings provided in back of the vertical cable management trough. Push down on spool until it snaps into place.
2. Install vertical cable management trough door by first inserting the retractable hinge pin on bottom of door into slot in lower hinge bracket (see Detail A above), and then, secondly inserting the retractable hinge pin on top of door into slot in upper hinge bracket (see Detail B above). The door will now be in the open position.

3. Swing door in direction of arrow until the other set of upper and lower hinge pins engage and the door is closed.



**Detail A - Open One Handle  
To Open Door**



**Detail B - Open Both Handles  
To Remove Door**

4. Once installed, door can be opened on either side by opening the handle on that side (see Detail A above), or removed completely by opening both handles at once and lifting door off (see Detail B above).

5. Door can be opened to either the right or left. When open on either side, door may be closed by pushing it until latches engage with handles in closed position.
6. To remove a cable spool, extend one hand through the opening in rear of cable manager closest to the spool and push in on release tab on lower part of the spool as shown. At the same time, push upward on body of cable spool until the latch releases.

