

Installation Instructions

FA-SHG33

for HELIAX® FiberFeed Hanger Installation

Andrew Institute offers installation training.



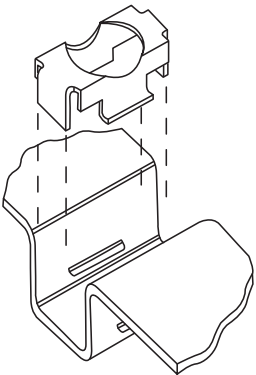
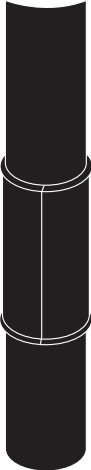
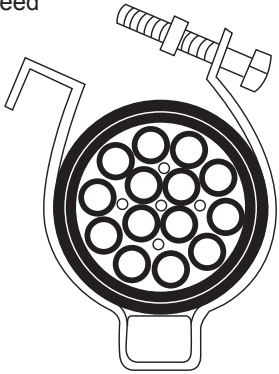
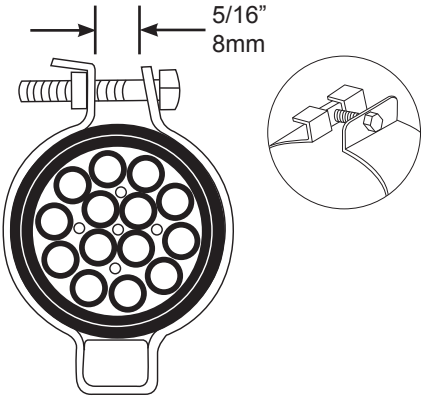
WARNING

Installation and use of this Hybrid cable requires a CommScope approved hanger and proper installation accessories

CommScope Lace-Up Hoisting Grip 19256B-C required for all installations

Maximum hanger spacing 4 ft (1.2 m)

Hybrid Fiber Cables weigh more than traditional coaxial cables. Be sure to follow proper hoisting and attachment procedures

<p>1</p> <p>Add support bracket to hanger</p> 	<p>2</p> <p>Place grommet around the HELIAX FiberFeed</p> 	<p>3</p> <p>Form hanger around HELIAX FiberFeed</p> 
<p>4</p> <p>Squeeze locking tabs together, slip nut under opposite tab, and tighten bolt until gap is 5/16" (8 mm)</p>  <p>5/16" 8mm</p>		

Notice: Andrew disclaims any liability or responsibility for the results of improper or unsafe installation, inspection, maintenance, or removal practices.

Aviso: Andrews no acepta ninguna obligación ni responsabilidad como resultado de prácticas incorrectas o peligrosas de instalación, inspección, mantenimiento o retiro.

Avis : Andrew décline toute responsabilité pour les conséquences de procédures d'installation, d'inspection, d'entretien ou de retrait incorrectes ou dangereuses.

Hinweis: Andrew lehnt jede Haftung oder Verantwortung für Schäden ab, die aufgrund unsachgemäßer Installation, Überprüfung, Wartung oder Demontage auftreten.

Atenção: A Andrew abdica do direito de toda responsabilidade pelos resultados de práticas inadequadas e sem segurança de instalação, inspeção, manutenção ou remoção.

Avvertenza: Andrew declina eventuali responsabilità derivanti dall'esecuzione di procedure di installazione, ispezione, manutenzione e smontaggio improprie o poco sicure.

注意：Andrew 公司申明對於不恰當或不安全的安裝、檢驗、維修或拆卸操作所導致的後果不負任何義務和責任。

Andrew Wireless Solutions

Customer Service 24 hours

U.S.A., Canada, Mexico:
for HELIAX® FiberFeed Cables call 1-800-255-1479
U.K.: 0800 250055
Other Europe: +44 592 782 612

www.commscope.com

Visit our Web site at www.commscope.com or contact your local Andrew Wireless Solutions representative for more information.

© 2013 CommScope, Inc. All rights reserved.

Andrew Wireless Solutions is a trademark of CommScope. All trademarks identified by ® or ™ are registered trademarks or trademarks, respectively, of CommScope. This document is for planning purposes only and is not intended to modify or supplement any specifications or warranties relating to Andrew Wireless Solutions products or services.