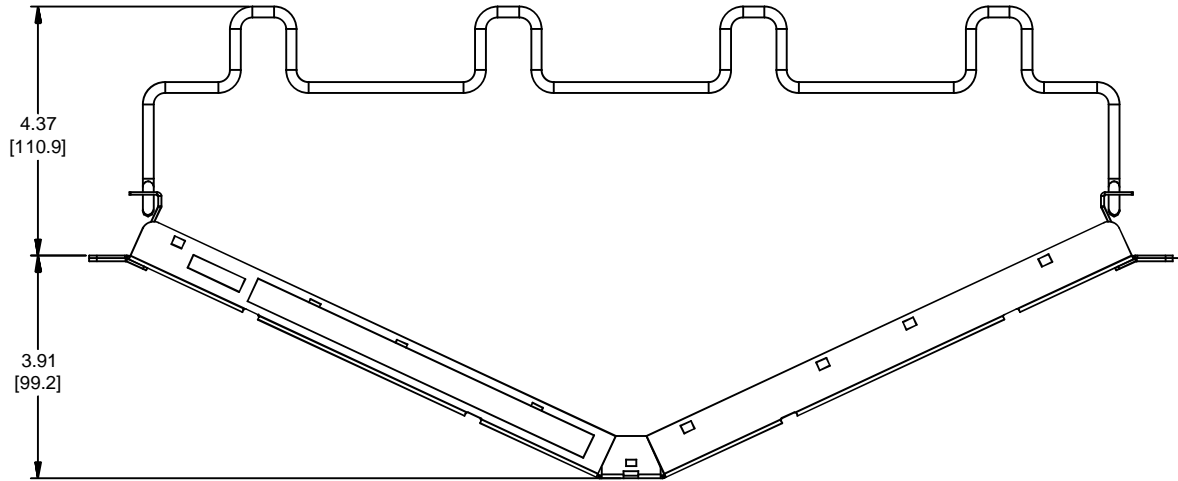
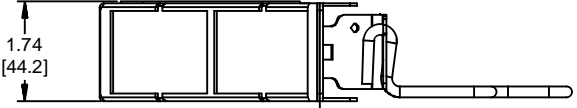
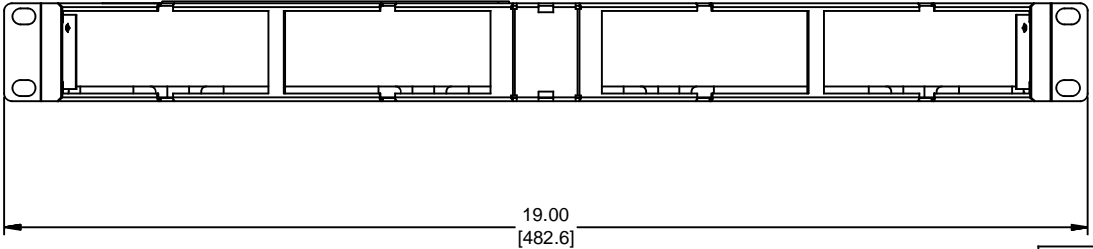


MATERIAL ID	DESCRIPTION
760206912	1100 ANGLED GS3 PANEL KIT - 1U



NOTES:

1. SEE SYSTIMAX CATALOG FOR PART NUMBER SUFFIXES TO INDICATE COLOR/PKG.
2. SEE SYSTIMAX CATALOG FOR COMPLETE LIST OF PARTS RELATED TO THE USE OF THIS PRODUCT.
3. DIMENSIONS IN PARENTHESES ARE IN INCHES[MM].
4. PART INCLUDES:
 (1) 1100 ANGLED GS3 FRAME 1U
 (1) RETENER B,360 REAR CABLE MANANGMENT
 (4) CABLE TIE



1100A-GS3-KIT-1U

COMMSCOPE, INC OF NORTH CAROLINA

SYSTIMAX

1	01/27/15		INITIAL ISSUE	PL	DRAWN BY DJ	
REV	DATE	ECR	DESCRIPTION	APPROVED BY	DATE 01/27/2015	DWG NO 760206912