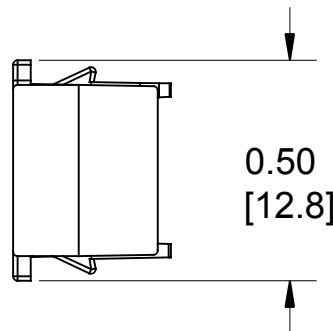
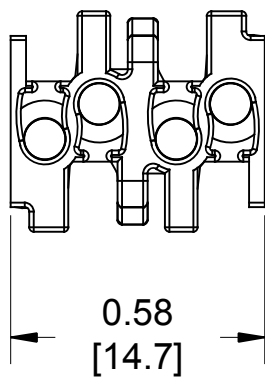
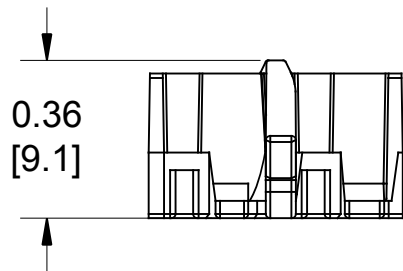


MATERIAL ID	DESCRIPTION
760199760	PATCH PANEL TERMINATION MANAGER KIT



NOTES:

1. SEE COMMSCOPE CATALOG FOR COMPLETE LIST OF PARTS RELATED TO THE USE OF THIS PRODUCT.
2. DIMENSIONS ARE IN INCHES[MM].
3. PART INCLUDES:  
(28) PATCH PANEL TERMINATION MANAGERS

PATCH PANEL TERMINATION MANAGER KIT	
<b>COMMSCOPE, INC</b> OF NORTH CAROLINA	
DRAWN BY DJ	DWG NO 760199760
APPROVED BY BJF	DATE 12/16/2014

REV	DATE	ECR	DESCRIPTION	APPROVED BY
1	12/16/14		INITIAL ISSUE	BJF