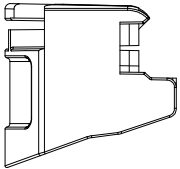
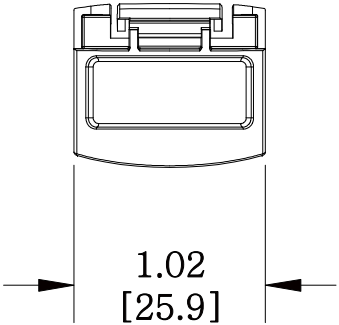
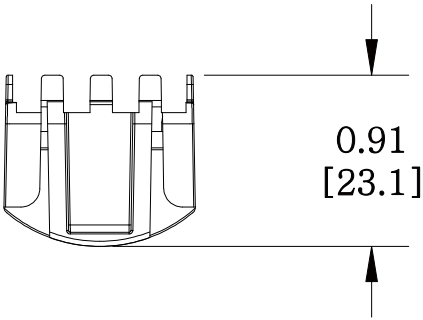


MATERIAL ID	DESCRIPTION
760189555	VP360-LC-8PK

NOTES:

- SEE SYSTIMAX CATALOG FOR PART NUMBER SUFFIXES TO INDICATE COLOR/PKG.
- SEE SYSTIMAX CATALOG FOR COMPLETE LIST OF PARTS RELATED TO THE USE OF THIS PRODUCT.
- DIMENSIONS ARE IN INCHES[MM].
- PART INCLUDES:
(8) VP360-LC



VP360-LC-8PK	
COMMScope, INC OF NORTH CAROLINA	
SYSTIMAX® SOLUTIONS	
DRAWN BY CY	
DATE 3/4/2014	DWG NO 760189555

REV	DATE	ECR	DESCRIPTION	APPROVED BY
1	3/4/14		INITIAL ISSUE	FW