

# FJ-1SM-015F

---



HELIAX® Discrete, 1 single mode fiber, 5 mm armored cable, flexible breakout, LC to LC

## Product Classification

<b>Regional Availability</b>	Asia   Australia/New Zealand   EMEA   Latin America   North America
<b>Portfolio</b>	CommScope®
<b>Product Type</b>	Wireless Fiber Cable Assemblies
<b>Product Brand</b>	HELIAX®
<b>Product Series</b>	FJ
<b>Ordering Note</b>	CommScope® non-standard product

## General Specifications

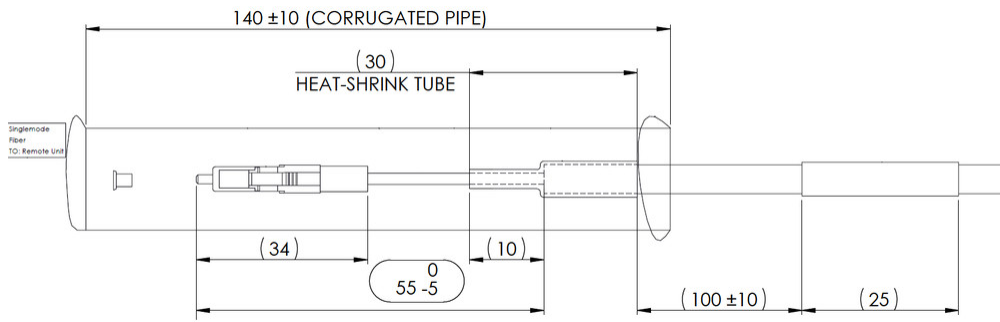
<b>Construction Type</b>	Direct fiber tail
<b>Interface, Connector A</b>	LC/UPC
<b>Interface Body Style, connector A</b>	Straight
<b>Interface, Connector B</b>	LC/UPC
<b>Interface Body Style, connector B</b>	Straight
<b>Jacket Color</b>	Black
<b>Total Fibers, quantity</b>	1

## Dimensions

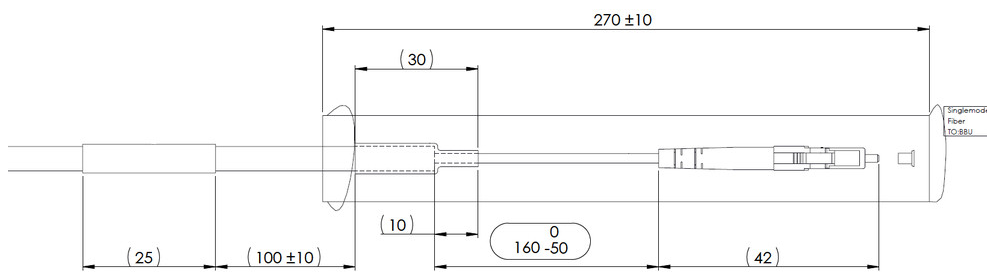
<b>Breakout Length, connector A</b>	54.991 mm   2.165 in
<b>Breakout Length, connector B</b>	201.981 mm   7.952 in
<b>Cable Assembly Length Range (m)</b>	2 – 50
<b>Diameter Over Jacket</b>	5 mm   0.197 in

## Outline Drawing–Front

# FJ-1SM-015F

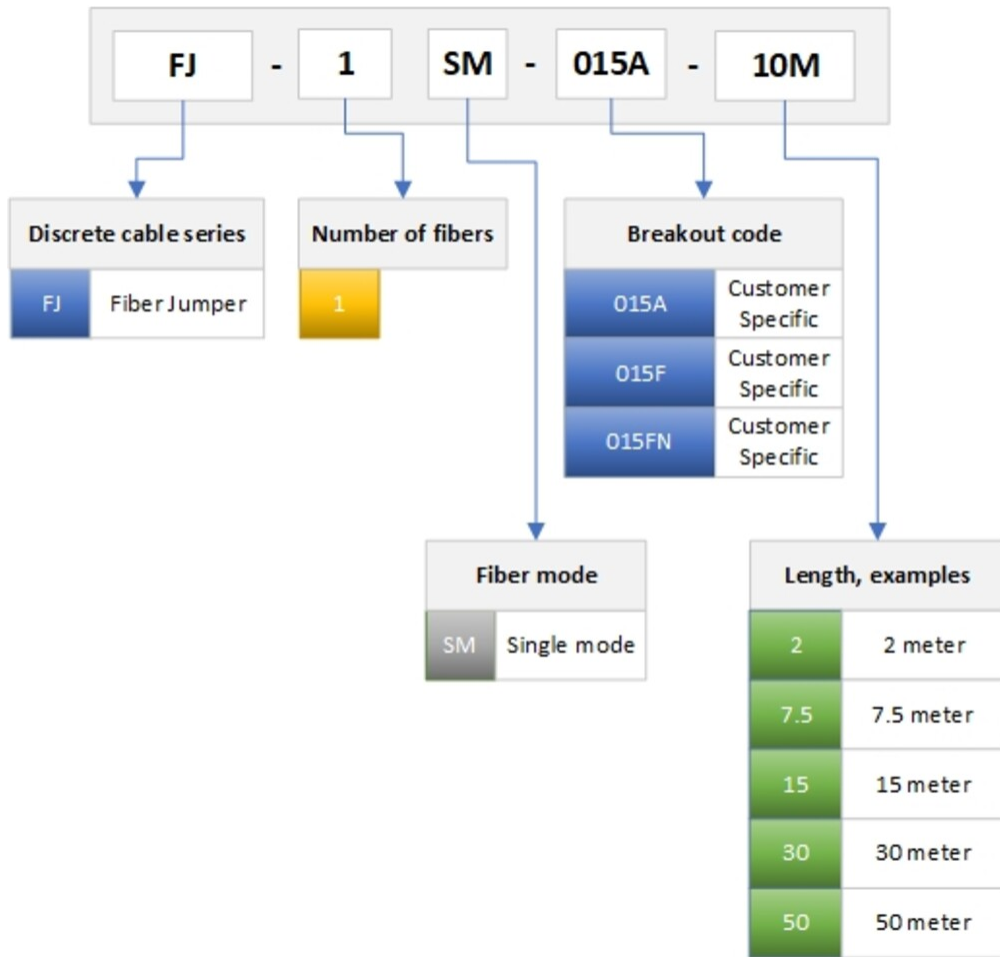


## Outline Drawing-Back



## Ordering Tree

# FJ-1SM-015F



## Mechanical Specifications

**Minimum Bend Radius** 60 mm | 2.362 in

**Minimum Bend Radius, furcation** 10 mm | 0.394 in

## Optical Specifications

**Fiber Type** G.657.A2

**Insertion Loss, typical note** Insertion loss is measured at 1310 and 1550 nm

**Insertion Loss, typical** 0.5

## Environmental Specifications

**Operating Temperature** -40 °C to +75 °C (-40 °F to +167 °F)

**Environmental Space** Outdoor

# FJ-1SM-015F

---

## Packaging and Weights

**Cable weight** 48 kg/km | 32.255 lb/kft

## \* Footnotes

**Insertion Loss, typical note** Insertion loss is measured at a room temp of +20°C (+68°F)