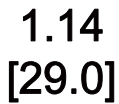
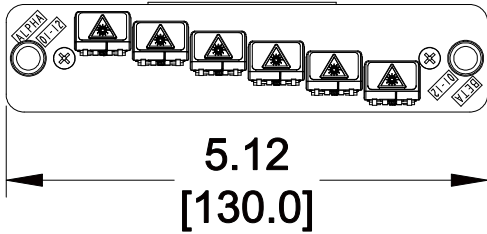
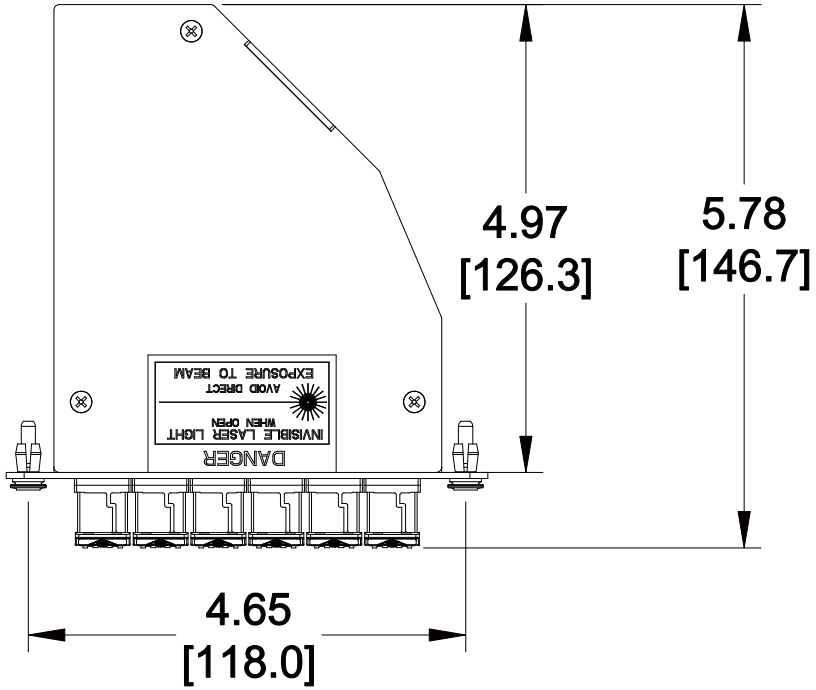


MATERIAL ID	DESCRIPTION
760088013	ReadyPATCH® TeraSPEED® KEYED MODULE, 12 LC PORTS, RED



NOTES:

1. SEE COMMSCOPE CATALOG FOR PART NUMBER SUFFIXES TO INDICATE COLOR/PKG.
2. SEE COMMSCOPE CATALOG FOR COMPLETE LIST OF PARTS RELATED TO THE USE OF THIS PRODUCT.
3. DIMENSIONS IN PARENTHESES ARE IN METRIC.
4. PART INCLUDES:
(1) ASSEMBLY, MODULE

RFE-MOD-012-8W-MPO-LC02-KRD

COMMSCOPE, INC OF NORTH CAROLINA

1	8/7/12		INITIAL ISSUE		DRAWN BY JW		
REV	DATE	ECR	DESCRIPTION	APPROVED BY	DATE 8/7/2012		DWG NO 760088013