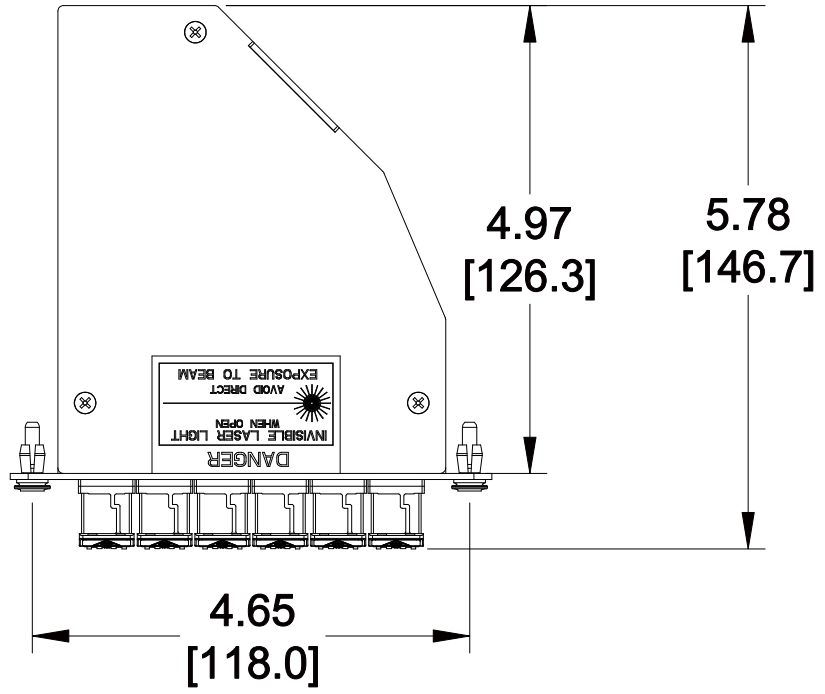
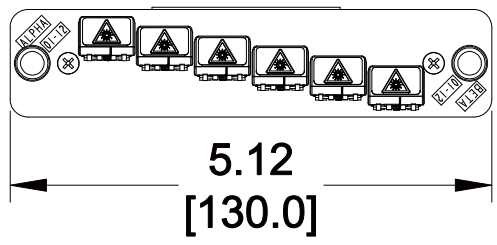


MATERIAL ID	DESCRIPTION
760087866	ReadyPATCH® TeraSPEED® KEYED MODULE, 12 LC PORTS, BLUE

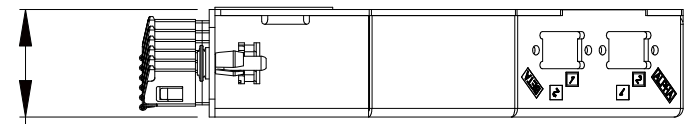


NOTES:

1. SEE COMMSCOPE CATALOG FOR PART NUMBER SUFFIXES TO INDICATE COLOR/PKG.
2. SEE COMMSCOPE CATALOG FOR COMPLETE LIST OF PARTS RELATED TO THE USE OF THIS PRODUCT.
3. DIMENSIONS IN PARENTHESES ARE IN METRIC.
4. PART INCLUDES:
(1) ASSEMBLY, MODULE



1.14
[29.0]



RFE-MOD-012-8W-MPO-LC02-KBL

COMMSCOPE, INC OF NORTH CAROLINA

REV	DATE	ECR	DESCRIPTION	APPROVED BY	DATE	DWG NO
1	8/7/12		INITIAL ISSUE			
					8/7/2012	760087866