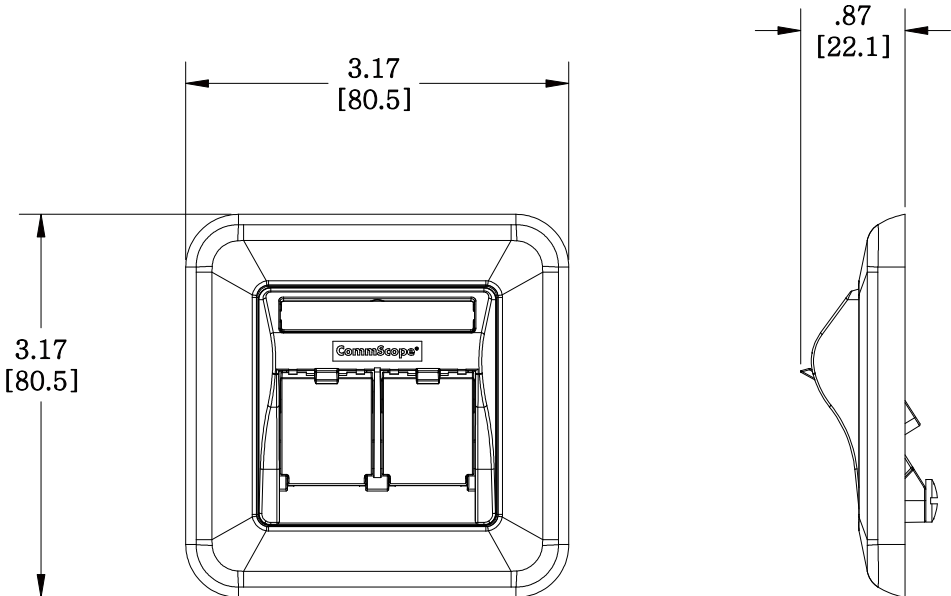


MATERIAL ID	DESCRIPTION
760085993	M12GER-262 FACEPLATE, 2 PORT, WHITE

NOTES:

1. SEE COMMSCOPE CATALOG FOR PART NUMBER SUFFIXES TO INDICATE COLOR/PKG.
2. SEE COMMSCOPE CATALOG FOR COMPLETE LIST OF PARTS RELATED TO THE USE OF THIS PRODUCT.
3. DIMENSIONS ARE IN INCHES[MM].
4. PART INCLUDES:
(1) FACEPLATE
(2) SCREW



M12GER-262

COMMSCOPE, INC OF NORTH CAROLINA

1	11/03/14		INITIAL ISSUE	CZ	DRAWN BY CY	
REV	DATE	ECR	DESCRIPTION	APPROVED BY	DATE 11/3/2014	DWG NO 760085993