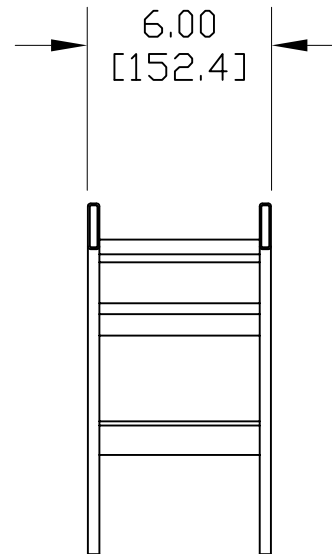
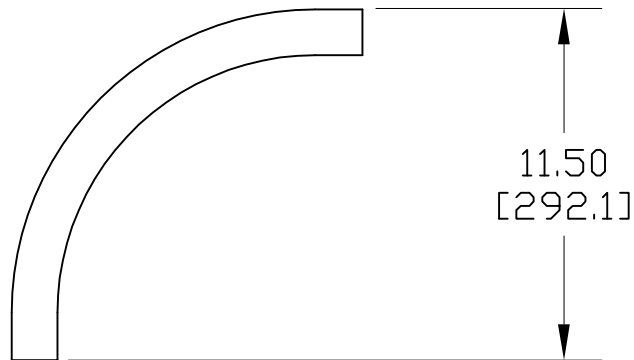
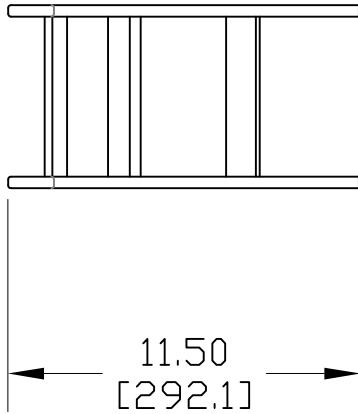


MATERIAL ID	DESCRIPTION	WEIGHT (lbs.)
760085670	LADDER RACK, 90 DEGREE RADIUS INSIDE CORNER BEND, 6" WIDE	5.0



NOTES:

- SEE COMMSCOPE CATALOG FOR PART NUMBER SUFFIXES TO INDICATE COLOR/PKG.
- SEE COMMSCOPE CATALOG FOR COMPLETE LIST OF PARTS RELATED TO THE USE OF THIS PRODUCT.
- DIMENSIONS IN PARENTHESES ARE IN METRIC.
- PART INCLUDES:  
(1) LADDER RACK

CR90ICB-6W	
COMMSCOPE, INC HICKORY, NORTH CAROLINA	
DRAWN BY SEW	DWG NO. 760085670
DATE 1/2/08	

REV	DATE	ECR	DESCRIPTION	BY
2	8/4/08		REVISED	TWL
1	1/2/08		INITIAL ISSUE	TWL