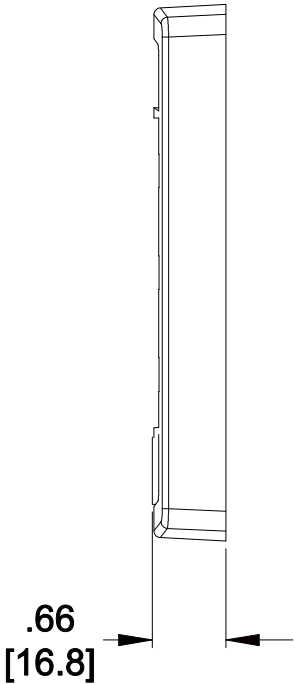
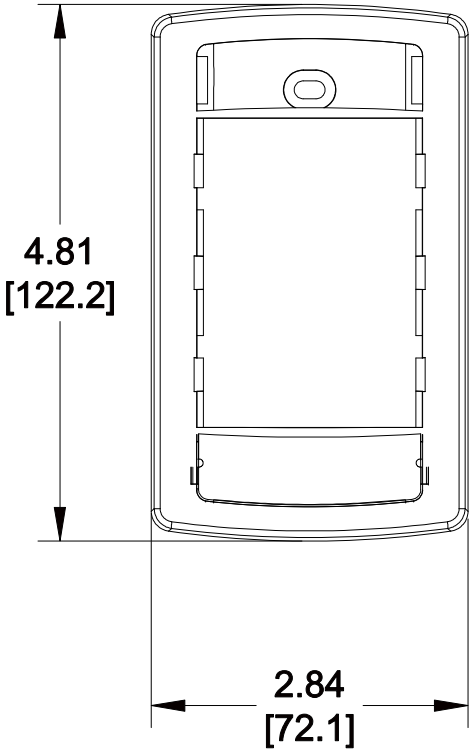


MATERIAL ID	DESCRIPTION
760010009	FLEXIBLE FACEPLATE FRAME, BLACK

NOTES:

1. SEE COMMSCOPE CATALOG FOR PART NUMBER SUFFIXES TO INDICATE COLOR/PKG.
2. SEE COMMSCOPE CATALOG FOR COMPLETE LIST OF PARTS RELATED TO THE USE OF THIS PRODUCT.
3. DIMENSIONS IN PARENTHESES ARE IN METRIC.
4. PART INCLUDES:

- (1) FRAME
- (2) SCREW
- (2) CARD
- (2) RETAINER CARD
- (1) RETAINER



M13FP-003								
COMMSCOPE, INC OF NORTH CAROLINA								
1	05/26/11		INITIAL ISSUE		DRAWN BY	JW		
REV	DATE	ECR	DESCRIPTION	APPROVED BY	DATE	05/26/2011	DWG NO	760010009