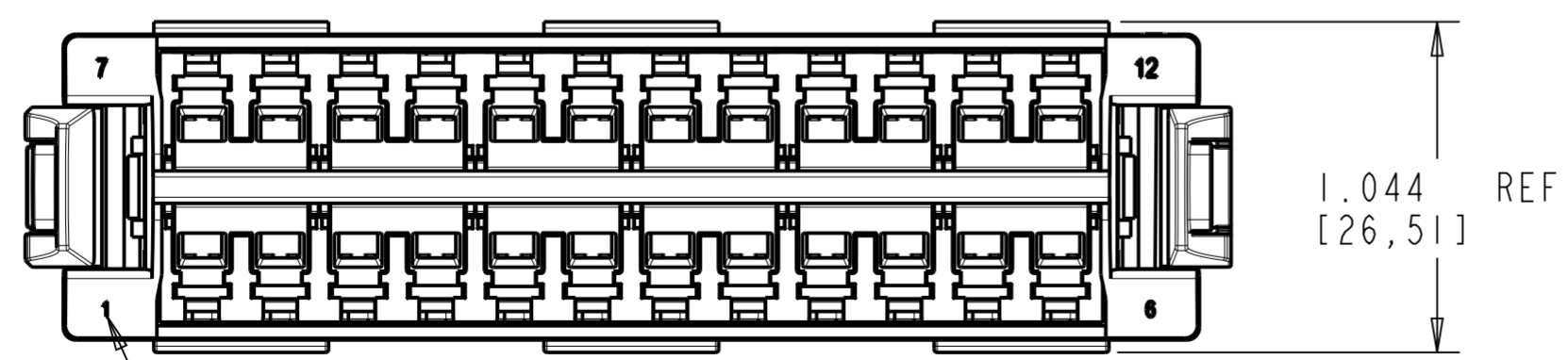
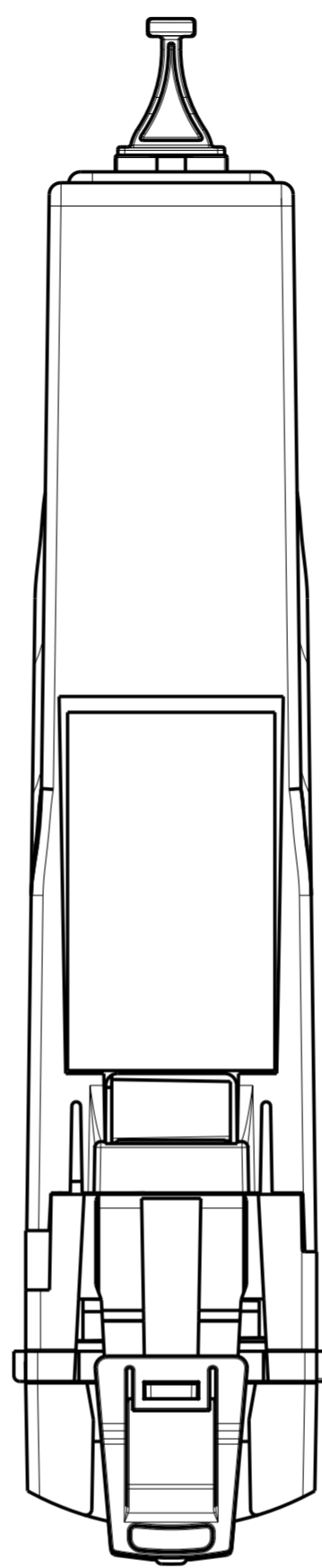
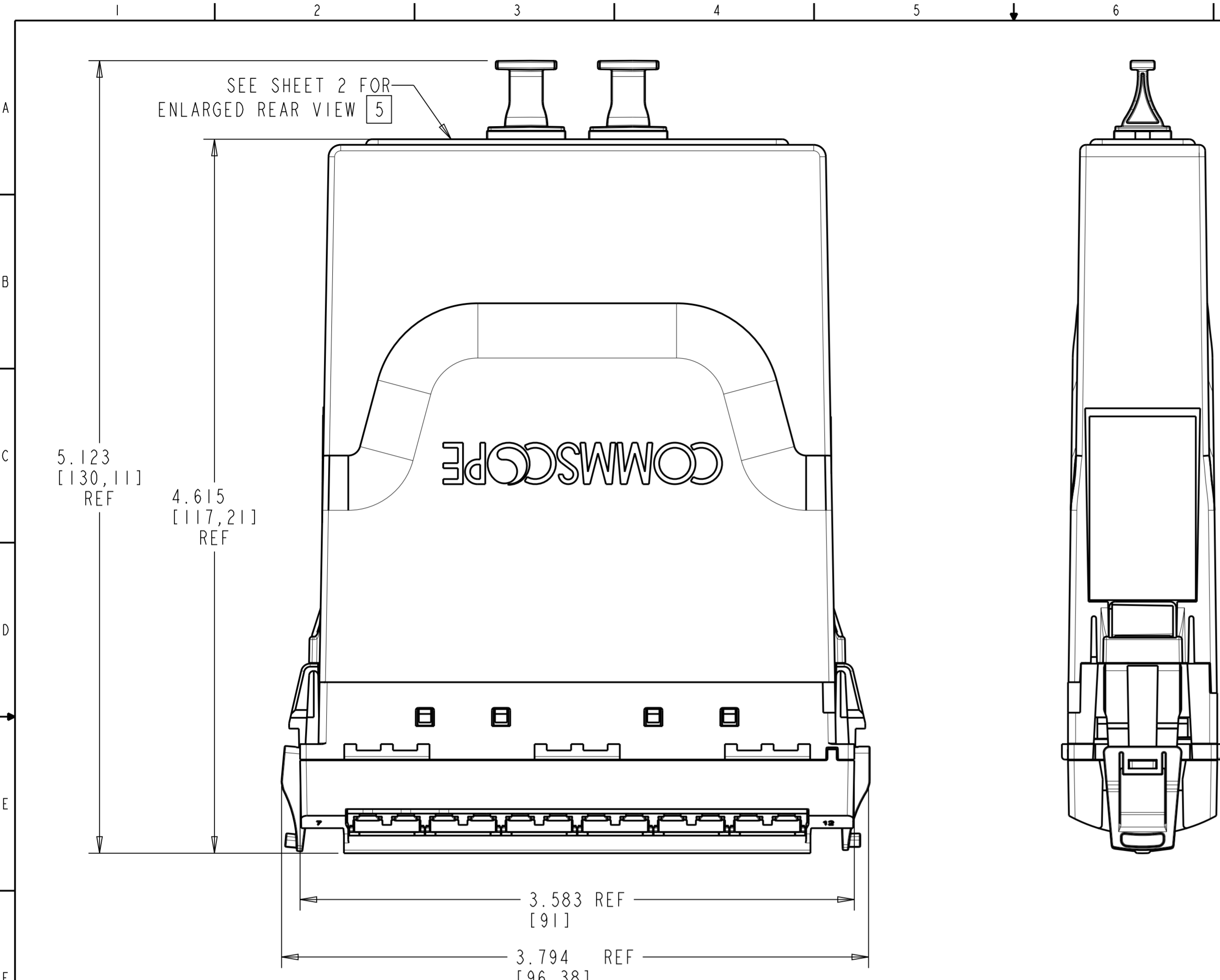


REVISIONS			
REV	DESCRIPTION	DATE	APPROVED
A	8000022009	12-APR-2017	MJW
B	40053251CMO	11-NOV-2017	LJM



SEE SHEET 2 FOR ENLARGED FRONT VIEW [5]

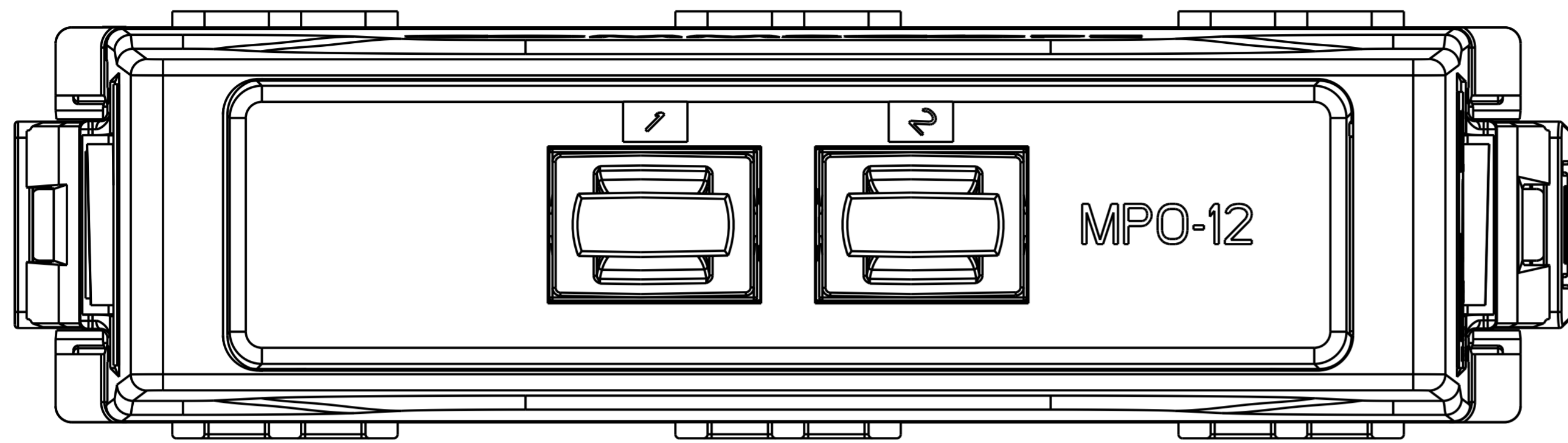
NOTES:

- SEE SYSTIMAX CATALOG FOR PART NUMBER SUFFIXES TO INDICATE COLOR/PKG.
- SEE SYSTIMAX CATALOG FOR COMPLETE LIST OF PARTS RELATED TO THE USE OF THIS PRODUCT.
- DIMENSION ARE IN INCHES (MM).
- PART INCLUDES: (1) ASSEMBLY, 24LC, MODULE.
- SEE SHEET 2 FOR FRONT & REAR VIEW PORT ASSIGNMENTS.

COMMSCOPE, INC.											
TOLERANCES					SAP MATERIAL MASTER						
SEE TABLE											
FINISH					MATERIAL						
N/A					N/A						
SYMBOLS AGREE WITH ASME Y14.5M - 2009. ALL SHEETS ARE THE SAME REVISION AND STATUS.	DRAFTER			TITLE							
	Mike Wentworth			MODULE,			MPO-12 INTERNAL SHUTTER				
	CHECKER			SIZE			SCALE				
	Scott Sievers			A 2			1.000				
ENGINEER			DOCUMENT NO.								
Scott Sievers			660000742								
ECN			WORK AREA			MODEL			DRAWING		
40053251CMO			58			04			01 *** B		
ALL SURFACES			VERSION			STATUS			REVISION		
✓			04			01			*** B		
SHEET 1 OF 2											

DM12-24LC-WB-ULL-SAMPLE	G2 ULL MPO-12 MODULE, 2X12F MPO, OM5 SAMPLE
DM12-24LC-LS-ULL-SAMPLE	G2 ULL MPO-12 MODULE, 2X12F MPO, OM4 SAMPLE
DM12-24LC-WB-ULL	G2 ULL MPO-12 MODULE, 2X12F MPO, OM5
DM12-24LC-LS-ULL	G2 ULL MPO-12 MODULE, 2X12F MPO, OM4
PRODUCT CODE	DESCRIPTION

© 2017 CommScope, Inc. Confidential
 NOTICE: These drawings and specifications are the proprietary property of COMMSCOPE, INC. and may be used only for the specific purpose authorized in writing by COMMSCOPE, INC.



REAR VIEW

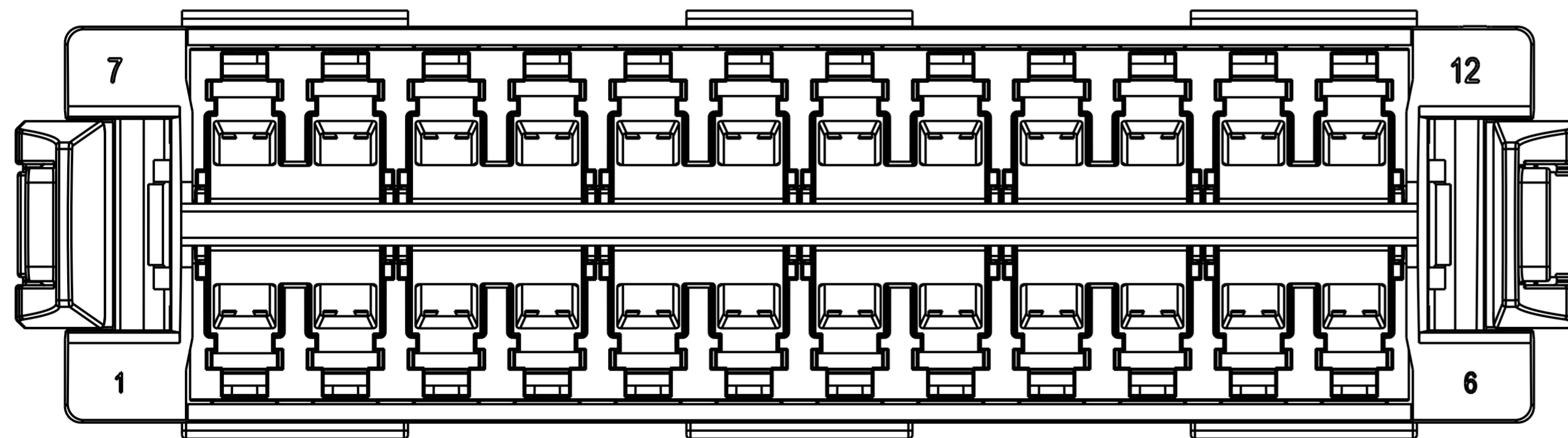
(SCALE 3.500) 5

**BOTTOM GROUP OF
DUPLEX LC PORTS**

MPO 1	LC
1	1B
2	2B
3	3B
4	4B
5	5B
6	6B
7	6A
8	5A
9	4A
10	3A
11	2A
12	1A

**TOP GROUP OF
DUPLEX LC PORTS**

MPO 2	LC
1	7B
2	8B
3	9B
4	10B
5	11B
6	12B
7	12A
8	11A
9	10A
10	9A
11	8A
12	7A



FRONT VIEW

(SCALE 3.500) 5

COMMSCOPE, INC.

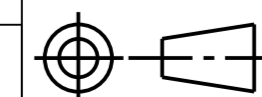
TITLE
MODULE,
MPO-12 INTERNAL SHUTTER

SIZE A2	SCALE 1.000	DOCUMENT NO. 660000742
-------------------	----------------	----------------------------------

DRAWING	SHEET	
	VERSION	2 OF 2
STATUS	REVISION	
DOCUMENT_STATUS	BD	

© 2017 CommScope, Inc. Confidential

NOTICE: These drawings and specifications are the proprietary property of COMMSCOPE, INC. and may be used only for the specific purpose authorized in writing by COMMSCOPE, INC.



H

G

F

E

D

C

B

A

H

G

F

E

D

C

B

A

10

9

8

7

6

5

4

3

2

1

SMP ENTERPRISE-12-2016-2007/01