

Mounting Kits For Wide Panel Antennas

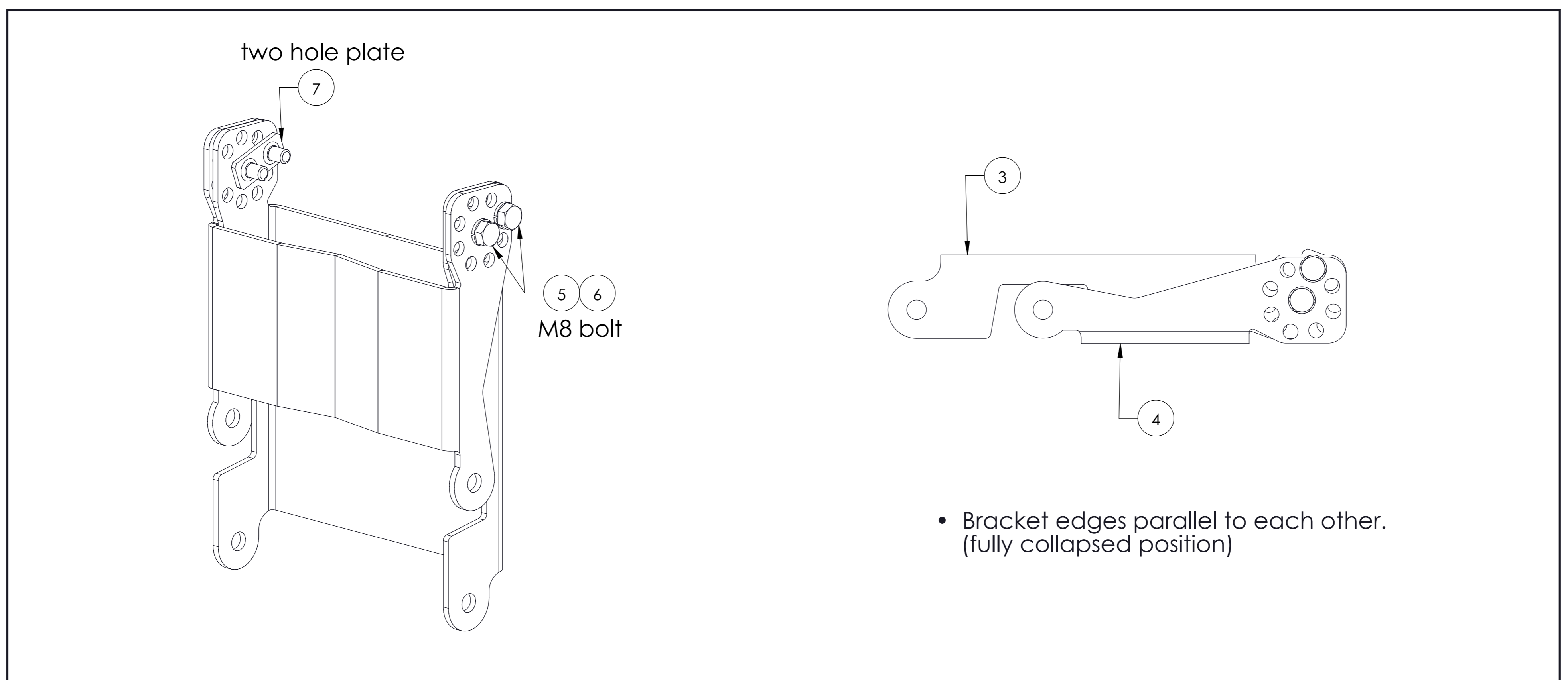
BSAMNT-U: Mounting systems for cylindrical pipe installations (60-115mm pipe diameter) for heavy duty applications

Bulletin 653948 • Revision C • August 2019 Page 1 of 3

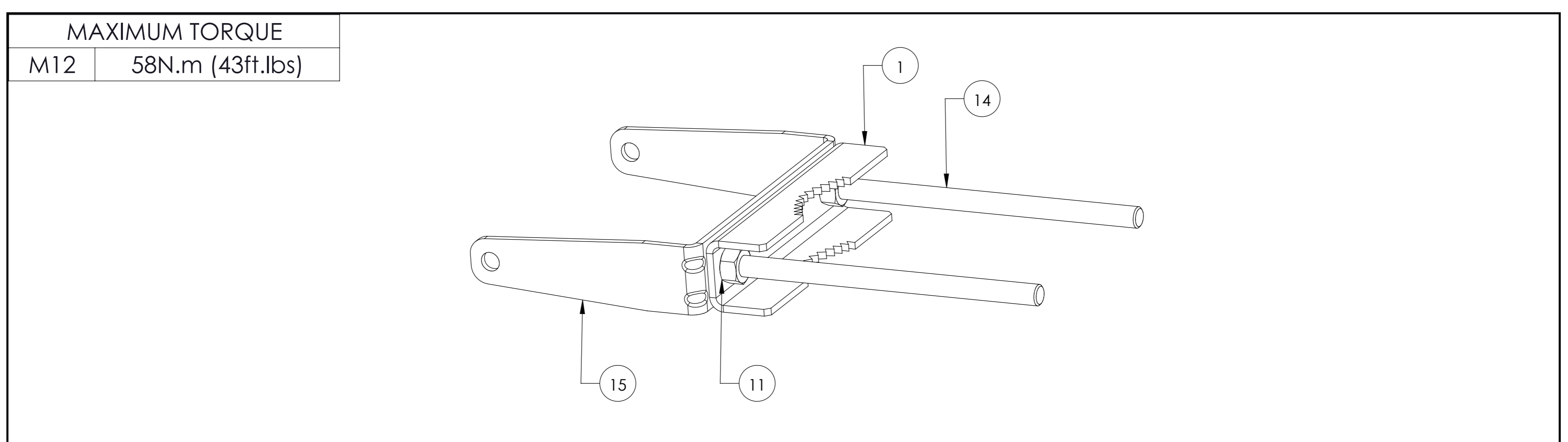
CommScope Infrastructure Academy offers installation training.

ITEM NO.	DESCRIPTION	QTY	U/M
1	PIPECLAMP BRACKET, NO FLANGE	4	EA
3	NOTCHED BRACKET	1	EA
4	BRACKET	1	EA
5	SCR,HH,HEX,M8X25,SST,PASS	4	EA
6	WSHR,LK,SPLT,M8,STL,GALV	4	EA
7	TWO HOLE PLATE, 8mm X 1.25 PITCH	2	EA
8	NUT,HEX,M10,STL,GALV	12	EA
9	WSHR,LK,SPLT,M10,STL,GALV	6	EA
10	SCR,HCS,HEX,M10X40,STL,GALV	6	EA
11	NUT,HEX,M12,STL,GALV	12	EA
12	WSHR,FLT,M12,13X28X2.5,STL,GALV	4	EA
13	WSHR,LK,SPLT,M12,STL,GALV	4	EA
14	BOLT,CARRIAGE,M12 X 200,STL,GALV	4	EA
15	BRACKET, PIPE CLAMP INTERFACE	1	EA
16	BRACKET, PIPE CLAMP INTERFACE	1	EA

Parts List

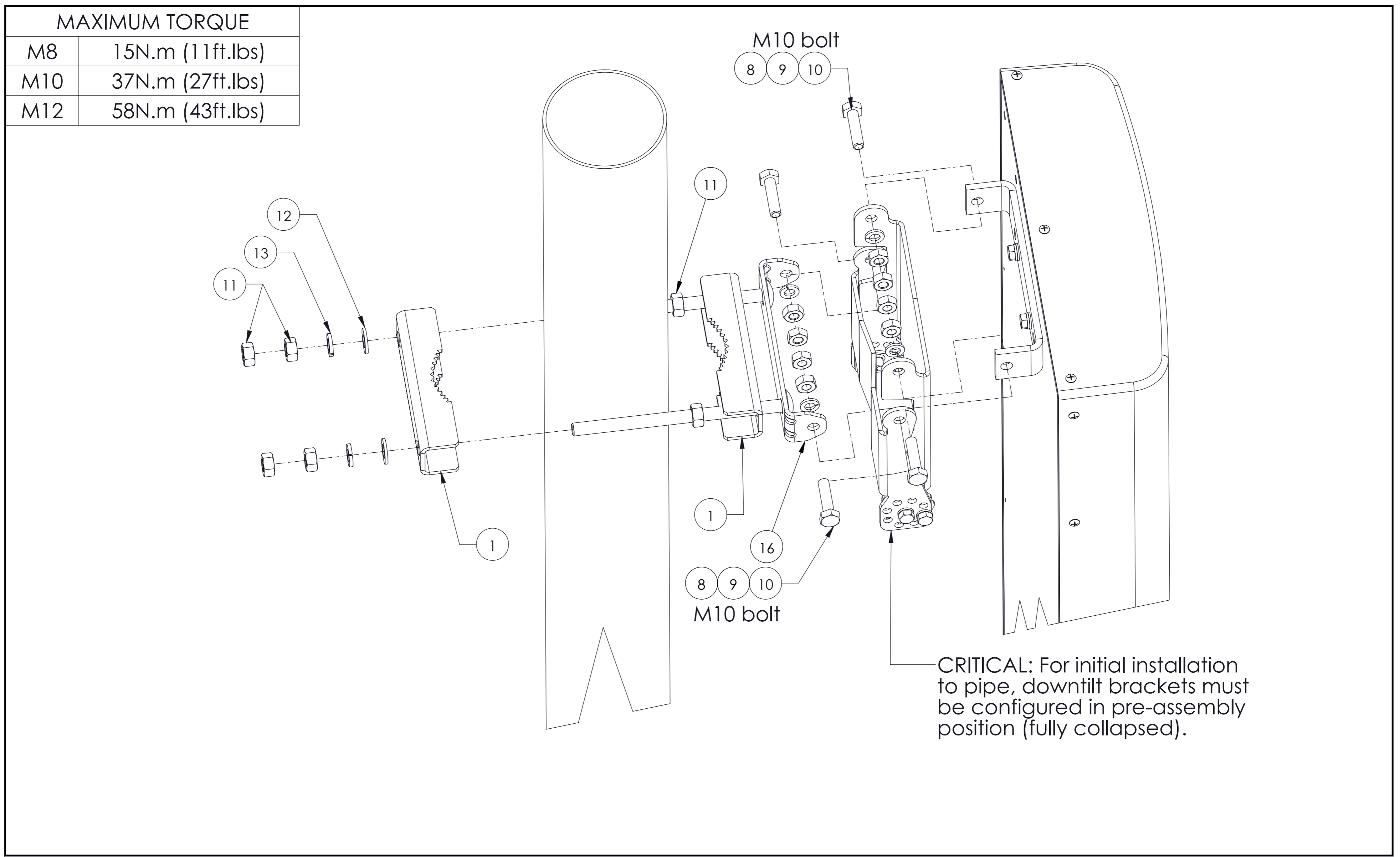


Pre-assembly of Downtilt Brackets

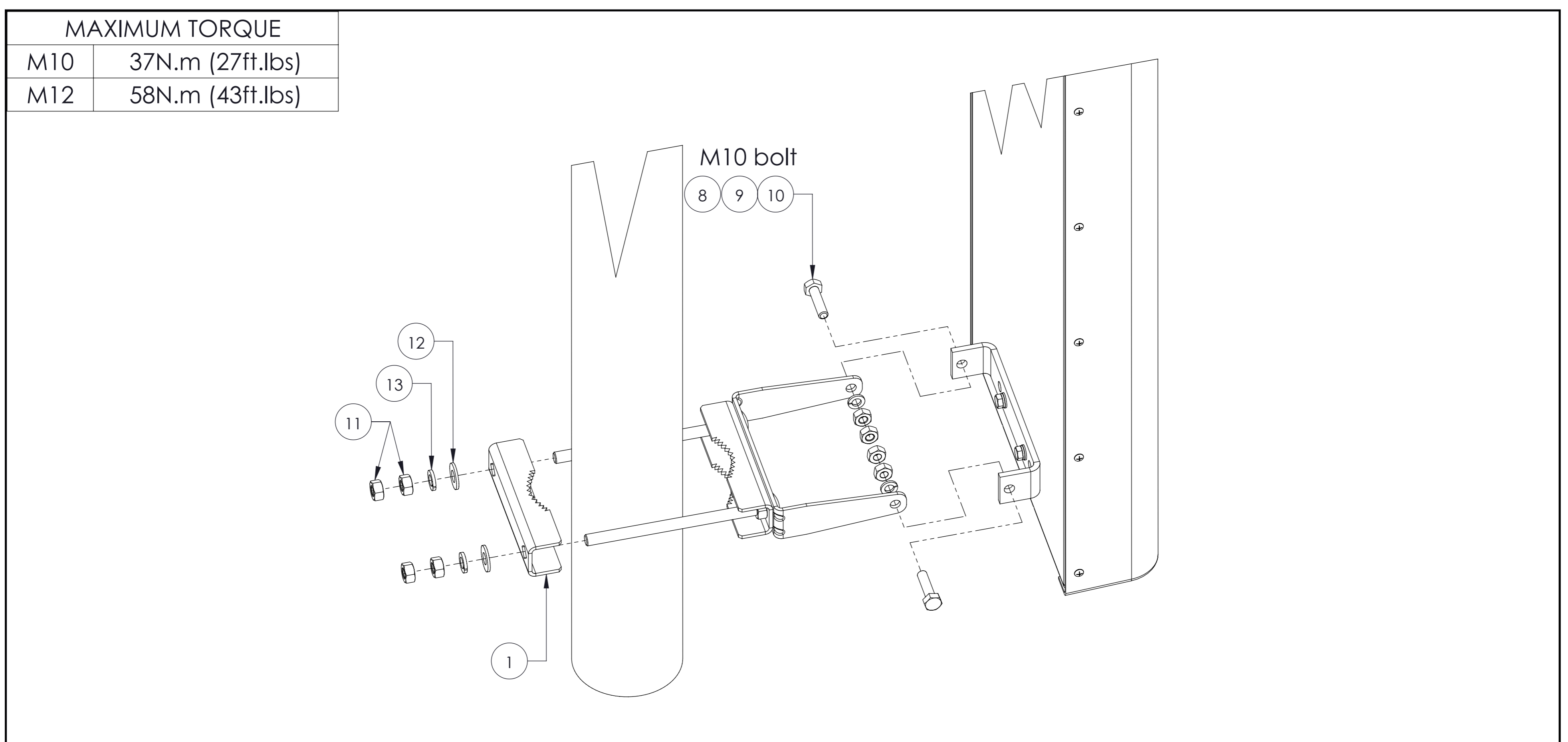


Pre-assembly of Pipe Bracket by Field Installer (QTY 1 EA)

(Continued from page 1)



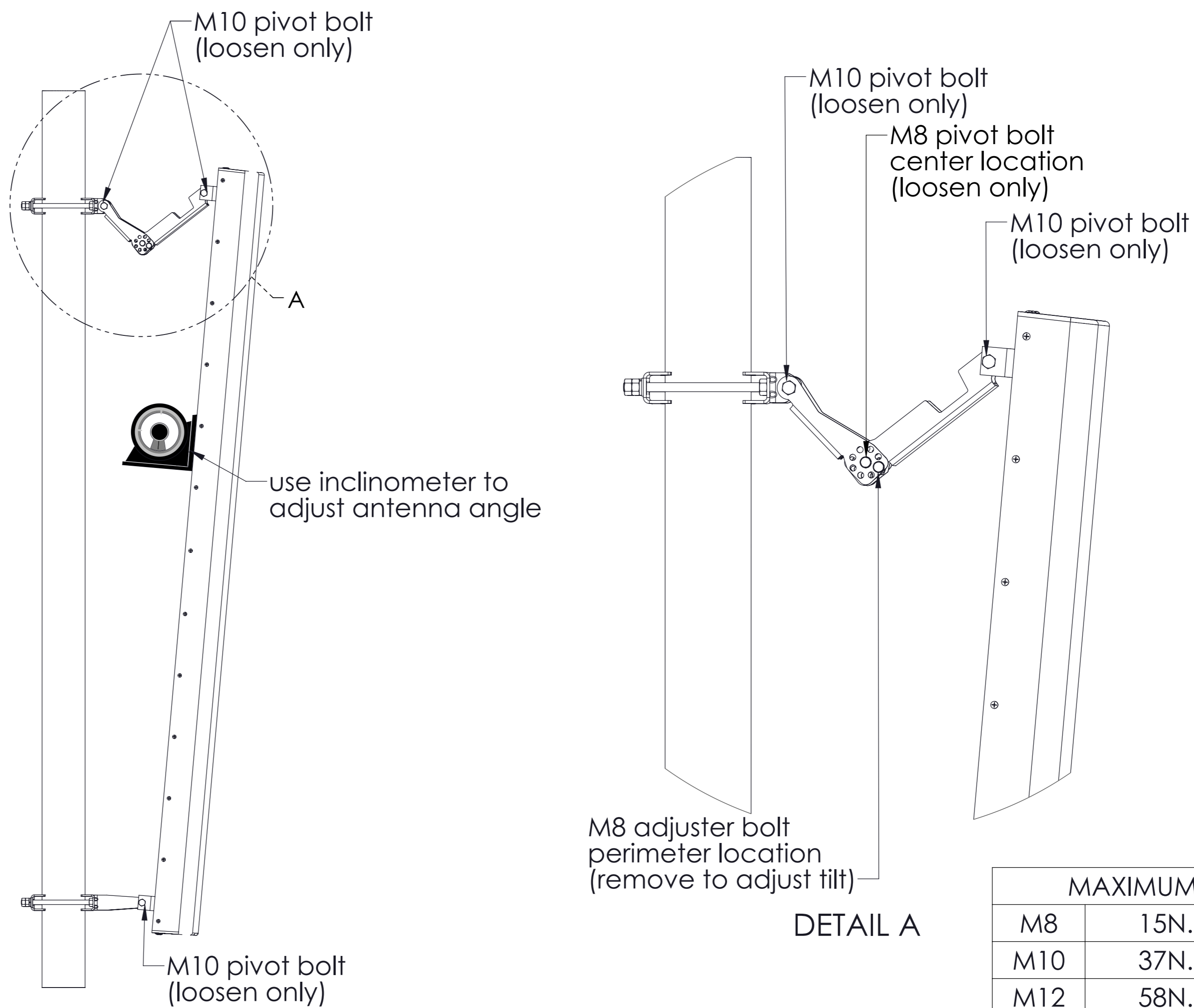
Top / Middle Mount Installations



Bottom Mount Installation

(Continued from page 2)

- Loosen pivot bolts . (do not remove)
- Remove adjuster bolts.
- Adjust antenna angle. (use inclinometer)
- Reinstall adjuster bolts.
- Retighten all bolts.



MAXIMUM TORQUE	
M8	15N.m (11ft.lbs)
M10	37N.m (27ft.lbs)
M12	58N.m (43ft.lbs)

Adjusting Antenna Tilt

Remote Electrical Tilt Connection



The AISG connector fitted to the antenna is designed to accept any AISG compliant cable assembly, commscope recommends hand tightening AISG mating connector only. Applied torque to the connector shall not exceed 1.5N*m.

RF Cable Connection



The female RF connectors fitted to the antenna are designed to fit jumper cables with standard related male RF connector. Tighten the RF connector coupling according to torque specification in antenna label, if the RF connectors are tightened beyond the recommend torque, the RF connection to the antenna may be damaged.

SAFETY NOTICE

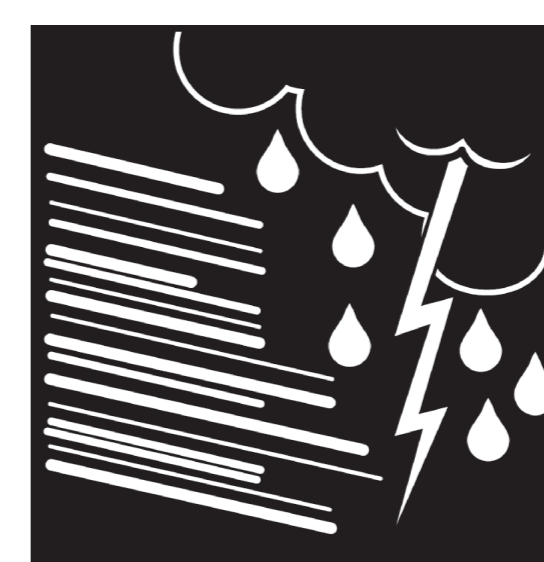
The installation, maintenance, or removal of an antenna requires qualified, experienced personnel. CommScope installation instructions are written for such installation personnel. Antenna systems should be inspected once a year by qualified personnel to verify proper installation, maintenance, and condition of equipment.

CommScope disclaims any liability or responsibility for the results of improper or unsafe installation practices.

It is recommended that transmit power be turned off when the field installation is performed. Follow all applicable safety precautions as shown on this page.



Do not install near power lines. Power lines, telephone lines, and guy wires look the same. Assume any wire or line can electrocute you.



Do not install on a wet or windy day or when lightning or thunder is in the area. Do not use metal ladder.



Wear shoes with rubber soles and heels. Wear protective clothing including a long-sleeved shirt and rubber gloves.

CommScope
 1100 CommScope Place SE P.O. Box 339, Hickory, NC 28603-0339
 (828) 324-2200 (800) 982-1708
 www.commscope.com

Customer Service 24 hours
 North America: +1-800-255-1479 (toll free)
 Any country: +1-779-435-6500
 email: acicustomersupportcenter@commscope.com

Notice: CommScope disclaims any liability or responsibility for the results of improper or unsafe installation, inspection, maintenance, or removal practices.
 Aviso: CommScope no acepta ninguna obligación ni responsabilidad como resultado de prácticas incorrectas o peligrosas de instalación, inspección, mantenimiento o retiro.
 Avis : CommScope décline toute responsabilité pour les conséquences de procédures d'installation, d'inspection, d'entretien ou de retrait incorrectes ou dangereuses.
 Hinweis: CommScope lehnt jede Haftung oder Verantwortung für Schäden ab, die aufgrund unsachgemäßer Installation, Überprüfung, Wartung oder Demontage auftreten.
 Atenção: A CommScope abdica do direito de toda responsabilidade pelos resultados de práticas inadequadas e sem segurança de instalação, inspeção, manutenção ou remoção.
 Avvertenza: CommScope declina eventuali responsabilità derivanti dall'esecuzione di procedure di installazione, ispezione, manutenzione e smontaggio improprie o poco sicure.
 注意: CommScope 公司申明对于不恰当或不安全的安装、检验、维修或拆卸操作所导致的后果不负任何义务和责任。