

Mounting Kits For Wide Panel Antennas

BSAMNT Series: Mounting systems for cylindrical pipe installations (60-115mm pipe diameter) for heavy duty applications

POWERED BY

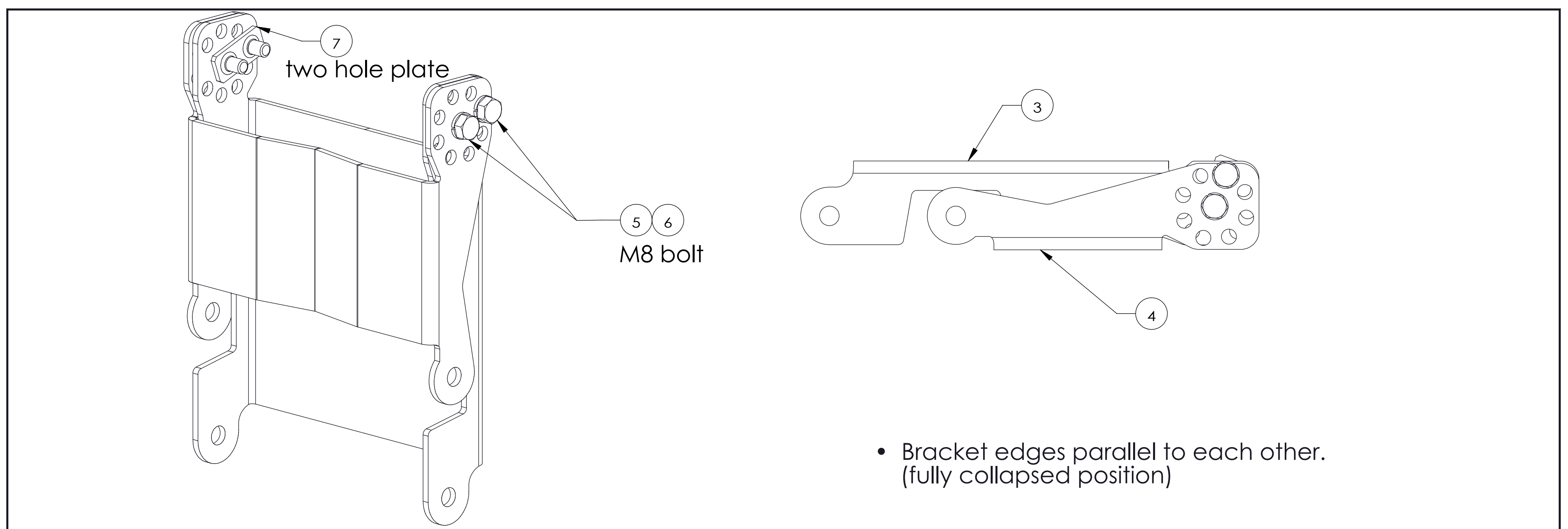


Bulletin 639834 • Revision A • December 2014 • Page 1 of 2

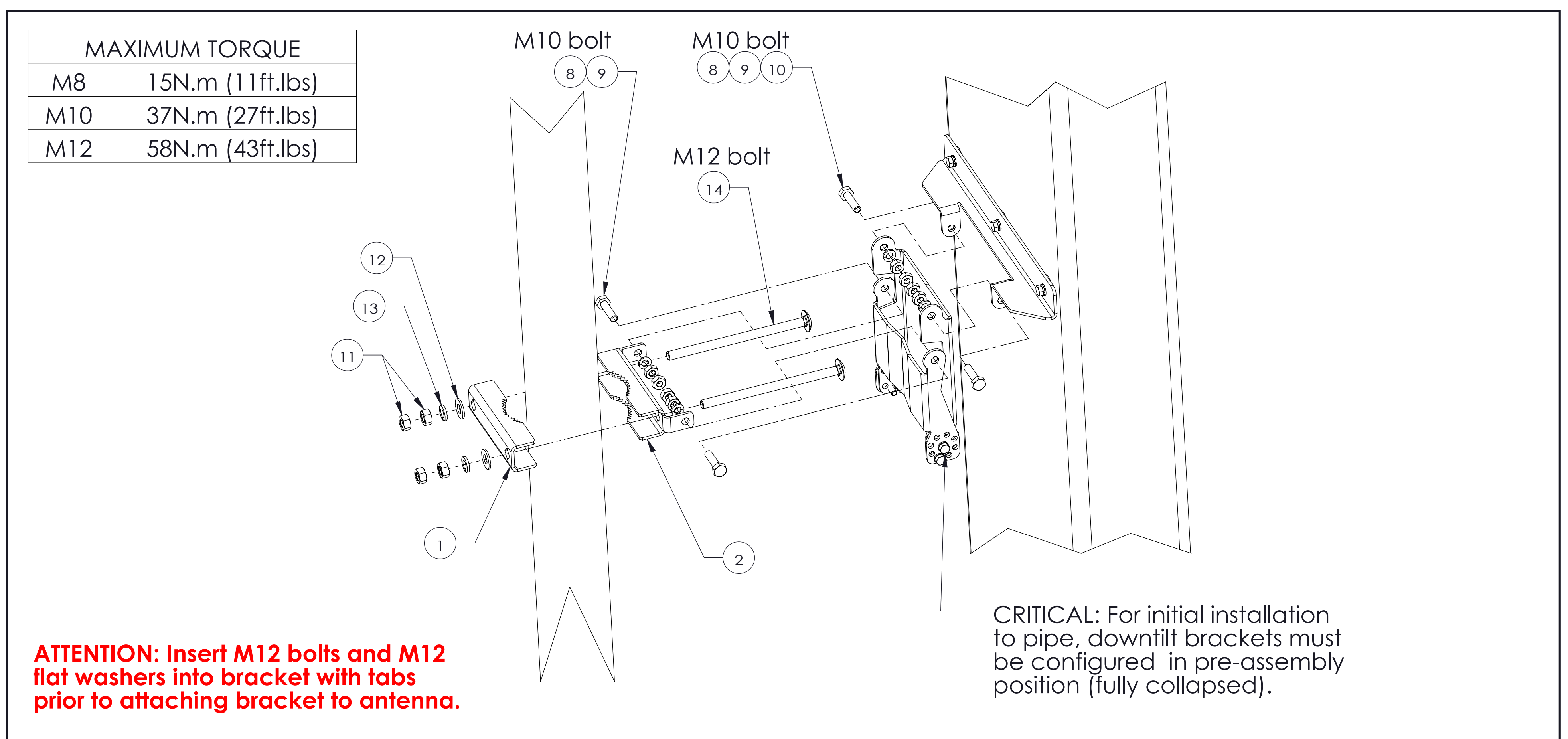
CommScope Infrastructure Academy offers installation training.

ITEM NO.	DESCRIPTION	QTY	U/M
1	PIPECLAMP BRACKET, NO FLANGE	1	EA
2	PIPECLAMP BRACKET, SHORT FLANGES	1	EA
3	NOTCHED BRACKET	1	EA
4	BRACKET	1	EA
5	SCR,HH,HEX,M8X25,SST,PASS	4	EA
6	WSHR,LK,SPLT,M8,STL,GALV	4	EA
7	TWO HOLE PLATE, 8mm X 1.25 PITCH	2	EA
8	NUT,HEX,M10,STL,GALV	8	EA
9	WSHR,LK,SPLT,M10,STL,GALV	4	EA
10	SCR,HCS,HEX,M10X40,STL,GALV	4	EA
11	NUT,HEX,M12,STL,GALV	4	EA
12	WSHR,FLT,M12,13X28X2.5,STL,GALV	2	EA
13	WSHR,LK,SPLT,M12,STL,GALV	2	EA
14	BOLT,CARRIAGE,M12 X 200,STL,GALV	2	EA

Part Lists



Pre-assembly of Downtilt Brackets



Middle Mount Installation

(Continued from page 1)

- Loosen pivot bolts . (do not remove)
- Remove adjuster bolts.
- Adjust antenna angle. (BSAMNT-1) (use inclinometer)
- Reinstall adjuster bolts. Middle Bracket First
- Retighten all bolts.

MAXIMUM TORQUE	
M8	15N.m (11ft.lbs)
M10	37N.m (27ft.lbs)
M12	58N.m (43ft.lbs)

Adjusting Antenna Tilt

SAFETY NOTICE

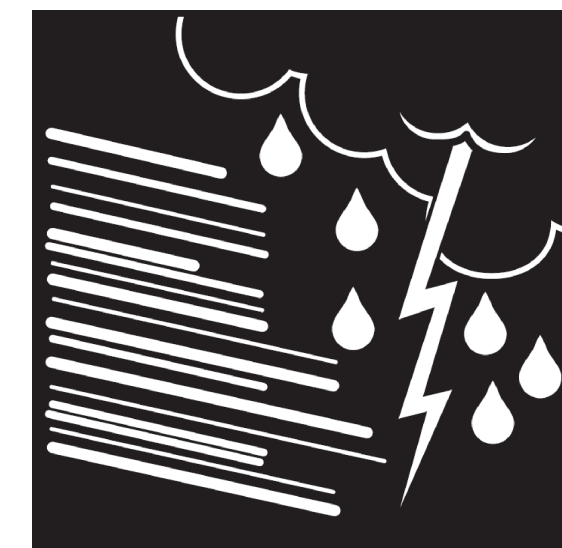
The installation, maintenance, or removal of an antenna requires qualified, experienced personnel. CommScope installation instructions are written for such installation personnel. Antenna systems should be inspected once a year by qualified personnel to verify proper installation, maintenance, and condition of equipment.

CommScope disclaims any liability or responsibility for the results of improper or unsafe installation practices.

It is recommended that transmit power be turned off when the field installation is performed. Follow all applicable safety precautions as shown on this page.



Do not install near power lines. Power lines, telephone lines, and guy wires look the same. Assume any wire or line can electrocute you.



Do not install on a wet or windy day or when lightning or thunder is in the area. Do not use metal ladder.



Wear shoes with rubber soles and heels. Wear protective clothing including a long-sleeved shirt and rubber gloves.

CommScope

1100 CommScope Place SE P.O. Box 339, Hickory, NC 28603-0339
 (828) 324-2200 (800) 982-1708
www.commscope.com/andrew

Customer Service 24 hours

North America: +1-800-255-1479 (toll free)
 Any country: +1-779-435-6500
 email: acicustomersupportcenter@commscope.com

Notice: CommScope disclaims any liability or responsibility for the results of improper or unsafe installation, inspection, maintenance, or removal practices.
 Aviso: CommScope no acepta ninguna obligación ni responsabilidad como resultado de prácticas incorrectas o peligrosas de instalación, inspección, mantenimiento o retiro.
 Avis : CommScope décline toute responsabilité pour les conséquences de procédures d'installation, d'inspection, d'entretien ou de retrait incorrectes ou dangereuses.
 Hinweis: CommScope lehnt jede Haftung oder Verantwortung für Schäden ab, die aufgrund unsachgemäßer Installation, Überprüfung, Wartung oder Demontage auftreten.
 Atenção: A CommScope abdica do direito de toda responsabilidade pelos resultados de práticas inadequadas e sem segurança de instalação, inspeção, manutenção ou remoção.
 Avvertenza: CommScope declina eventuali responsabilità derivanti dall'esecuzione di procedure di installazione, ispezione, manutenzione e smontaggio improprie o poco sicure.
 注意: CommScope 公司申明对于不恰当或不安全的安装、检验、维修或拆卸操作所导致的后果不负任何义务和责任。

平板宽天线安装架

BSAMNT系列安装架适用于

圆柱抱杆（直径为60-115mm）应用于重型天线

公告 639834 • 修订版 A • 2014 年 12 月 • 第 1 页 共 2 页

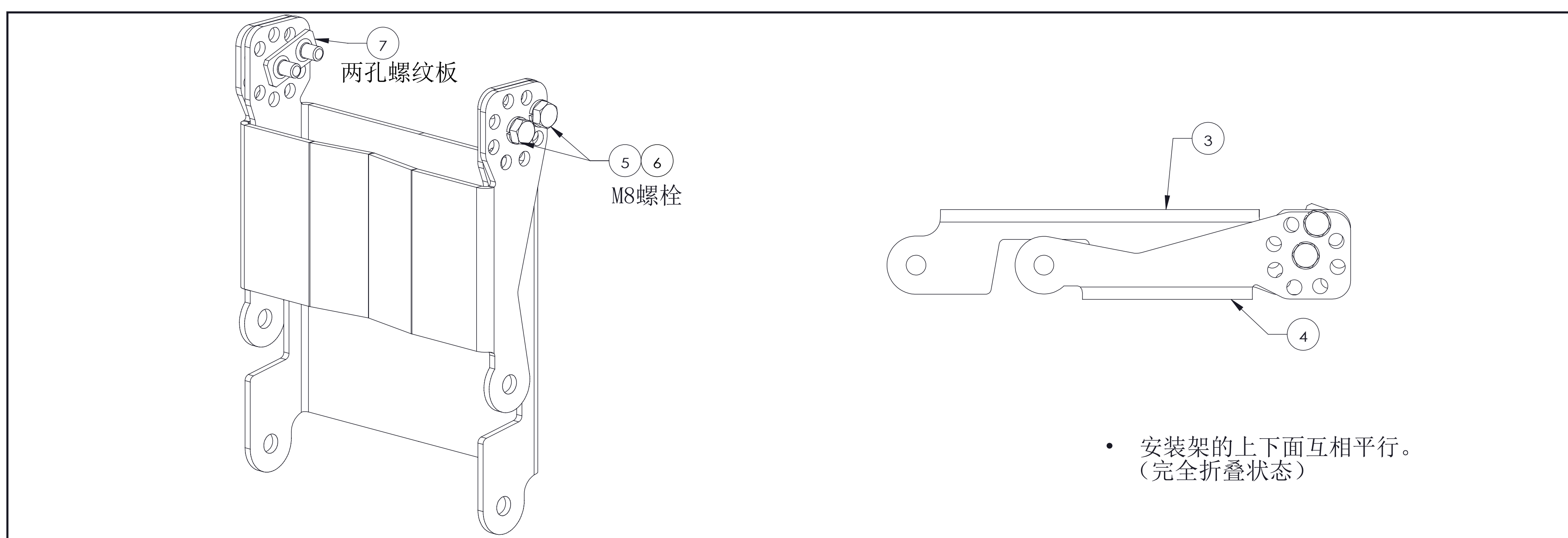
POWERED BY



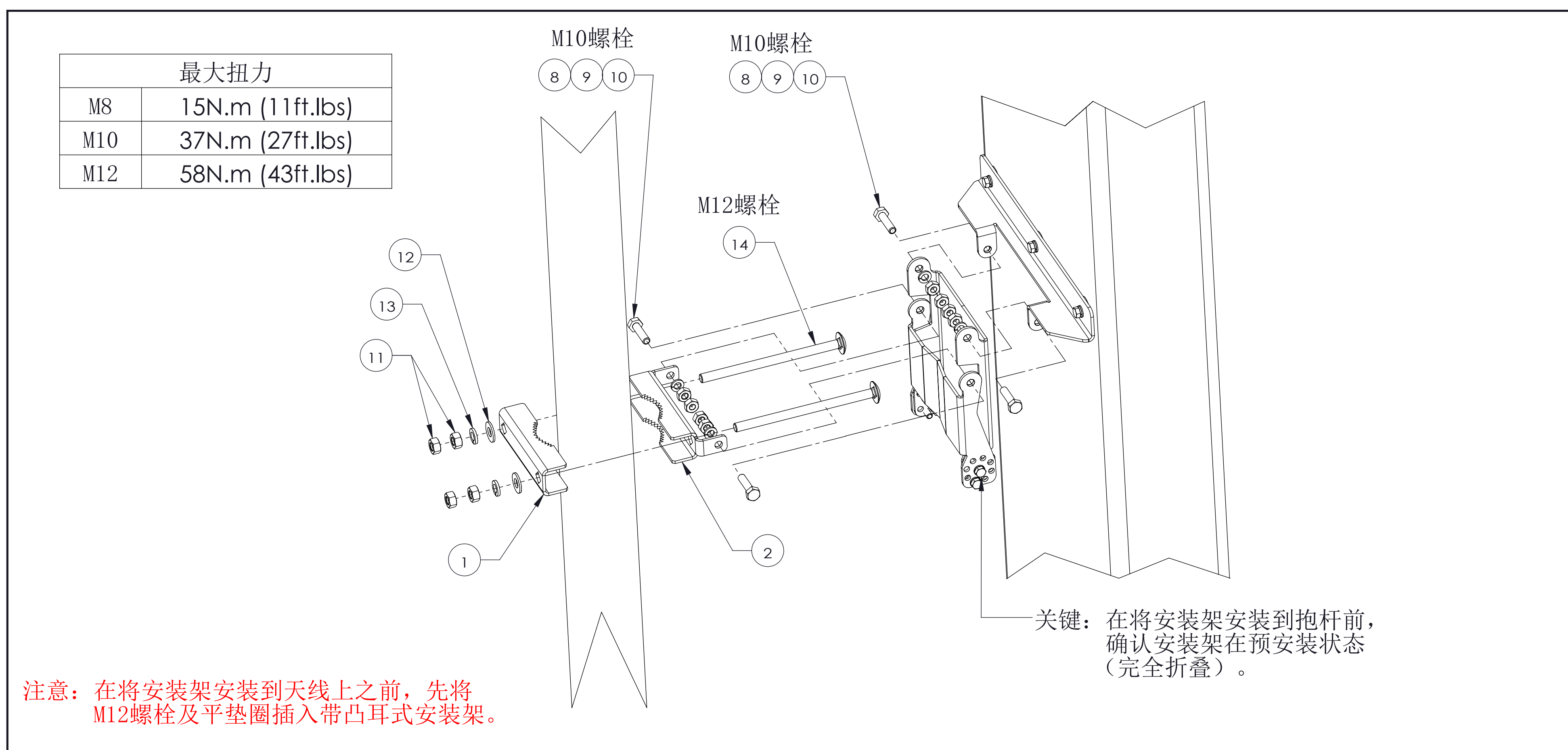
安德鲁培训学院提供安装培训。

序号	描述	数量	单位
1	抱杆安装支架	1	个
2	抱杆安装支架	1	个
3	下倾安装支架	1	个
4	下倾安装支架	1	个
5	M8X25六角螺栓，不锈钢	4	个
6	M8弹垫，热镀锌碳钢	4	个
7	两孔螺纹板M8X1.25	2	个
8	M10六角螺母，热镀锌碳钢	8	个
9	M10弹垫，热镀锌碳钢	4	个
10	M10X40六角螺栓，热镀锌碳钢	4	个
11	M12六角螺母，热镀锌碳钢	4	个
12	M12平垫，13X28X2.5热镀锌碳钢	2	个
13	M12弹垫，热镀锌碳钢	2	个
14	M12X200马车螺栓，热镀锌碳钢	2	个

零件清单



预安装的下倾安装架



注意：在将安装架安装到天线上之前，先将M12螺栓及平垫圈插入带凸耳式安装架。

中部支架安装

(接第1页)

- 旋松枢轴螺栓 (不要移除)。
- 移除调节螺栓。
- 调节天线角度 (用倾角罗盘)。
- 重新安装调节螺栓。先安中间的支架
- 重新旋紧所有螺栓。

使用倾角罗盘调节天线角度

细节 A

最大扭力	
M8	15N.m (11ft.lbs)
M10	37N.m (27ft.lbs)
M12	58N.m (43ft.lbs)

调节天线倾角

安全事项

天线的安装、维护或拆卸都需要由经验丰富的合格技术人员进行操作。康普 (CommScope) 安装说明是专为这些安装人员编写的。天线系统应由合格人员每年检查一次，以确定设备的安装、维护和状况良好。

对于因不当或不安全安装导致的任何后果，康普概不负责。

在现场安装时，务必关掉发射设备。遵从此页所显示的所有适用的安全措施。



请勿安装在电源线附件。电源线、电话线和拉线外观相同，任何导线度可能致人触电身亡。



请勿在有雨、有风或者所在区域有闪电或雷声时安装，请勿使用金属梯子。



请穿上有橡胶鞋底和橡胶跟的鞋子。请穿上长袖衬衫和橡胶手套的防护服。

CommScope

1100 CommScope Place SE P.O. Box 339, Hickory, NC 28603-0339
(828) 324-2200 (800) 982-1708
www.commscope.com/andrew

24小时客户支持

北美: : +1-800-255-1479 (免服务费)

其他国家: : +1-779-435-6500

电子邮件: acicustomersupportcenter@commscope.com

注意: CommScope 公司申明对于不恰当或不安全的安装、检验、维修或拆卸操作所导致的后果不负任何义务和责任。